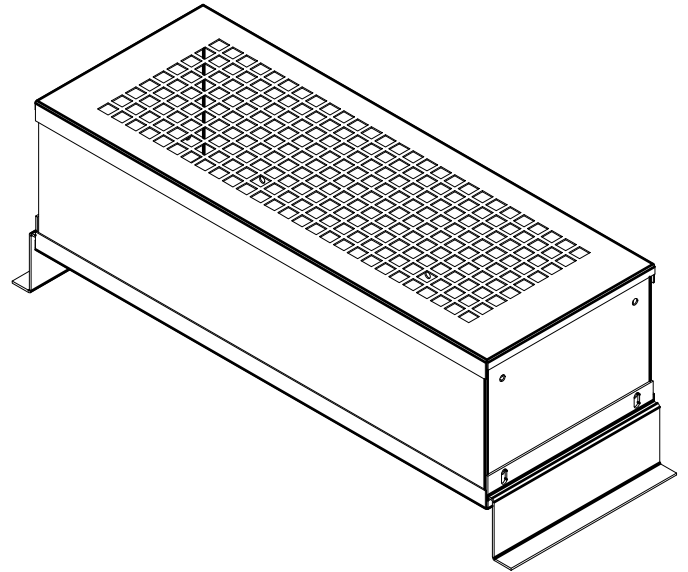
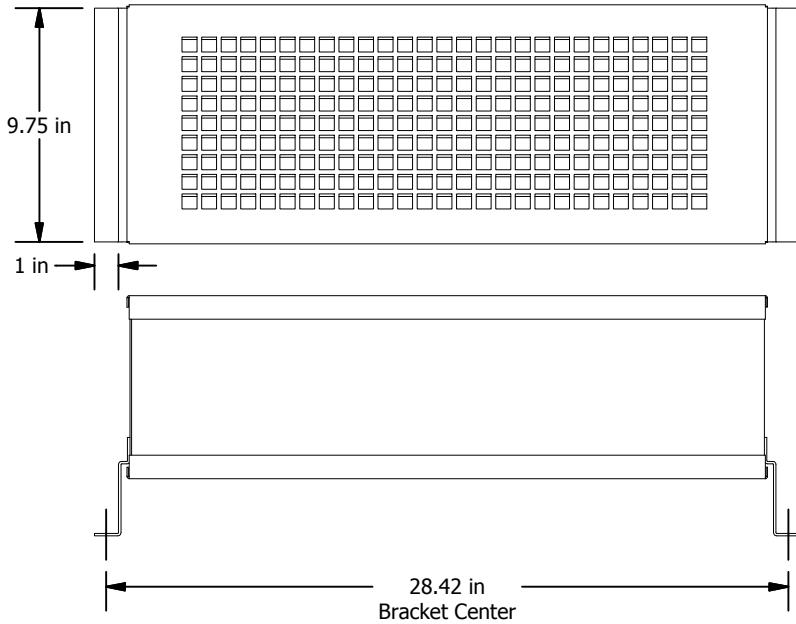




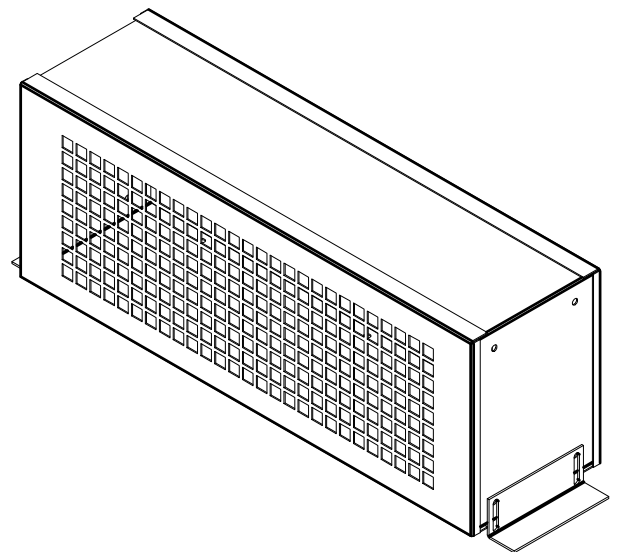
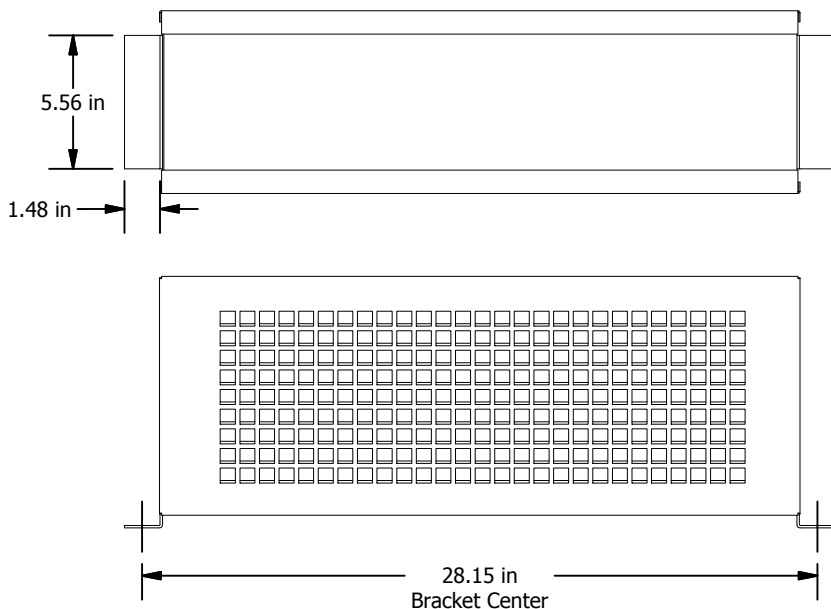
# 07-35002, Remote Condenser Mounting Detail

**Note: There are no pre-drilled mounting holes. Customer must pre-drill mounting bracket before condenser installation.**

## Mount Configuration Using Long Mount Brackets



## Mount Configuration Using Short Mount Brackets



**Manufacturer of Heavy Equipment Heat/Cool Systems**

5130 Edgefield Lane, Midlothian, TX 76065 USA

Phone 1-800-527-9477 Fax 1-800-299-5972

[www.dtac.com](http://www.dtac.com)