



DTAC UNITS

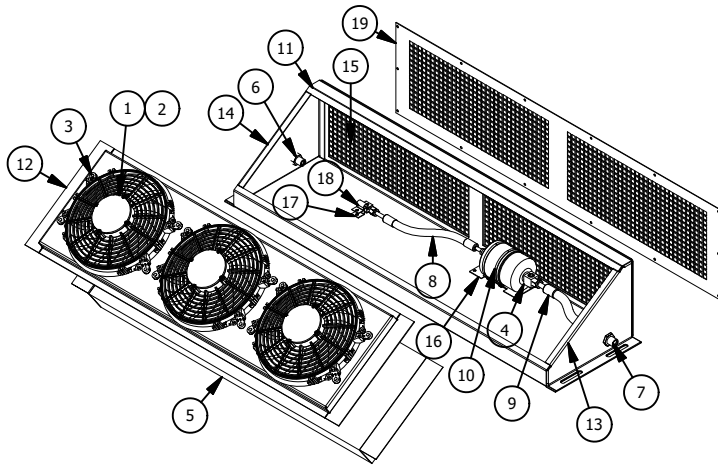
Remote Skirt Mount Condenser

07-78000 Series w/Small Bolt On Grille

07-78001 Series w/Large Through Body Grille



SPECIFICATIONS								
UNIT NO.	BTU'S COOL	AIR FLOW	HEIGHT	WIDTH	DEPTH	WEIGHT	MOTOR	CURRENT DRAW
07-78000-12 07-78001-12	55,000-78,000	2300 CFM	11.25"	48.625"	12.625"	65 LBS	3-12" Pancake	24 AMPS
07-78000-24 07-78001-24	55,000-78,000	2300 CFM	11.25"	48.625"	12.625"	65 LBS	3-12" Pancake	12 AMPS



FEATURES

- Available 12 or 24 Volt
- 5 Row Multi-Flow Condenser Coil
- High Capacity Water Resistant Motors
- High Capacity Receiver Drier
- Total Serviceability - No Pop Rivets to Drill Out When Servicing
- Stainless Steel Bolts & Nuts
- Aluminum Construction

78000 SERIES PARTS LIST						
ITEM	QTY 07-78000-12	QTY 07-78000-24	QTY 07-78001-12	QTY 07-78001-24	DTAC NO.	DESCRIPTION
1	3	0	3	0	02-4011S	11" Fan Asm, 12V Puller
2	0	3	0	3	02-4011S-24	11" Fan Asm, 24V Puller
3	12	12	12	12	02-50025	Mount Leg
4	1	1	1	1	06-12040	Drier
5	1	1	1	1	07-78001	Cond Coil
6	1	1	1	1	09-50004	#8 MIO Bulkhead
7	1	1	1	1	09-50005	#10 MIO Bulkhead
8	1	1	1	1	10-78006	#6 Hose Asm
9	1	1	1	1	10-78008	#8 Hose Asm
10	2	2	2	2	12-60064	4" Clamp
11	1	1	1	1	78-00000	Btm Housing
12	1	1	1	1	78-00001	Lid
13	1	1	1	1	78-00002	Right Panel
14	1	1	1	1	78-00003	Left Panel
15	1	1	0	0	78-00004	Grille, SM Bolt On
16	1	1	1	1	78-00005	Drier Brkt
17	1	1	1	1	78-00006	Hold Down Brkt
18	1	1	1	1	78-00007	Tube Hold Down Brkt
19	0	0	1	1	78-00008	Grille, LG Through Body