



# DTAC UNITS

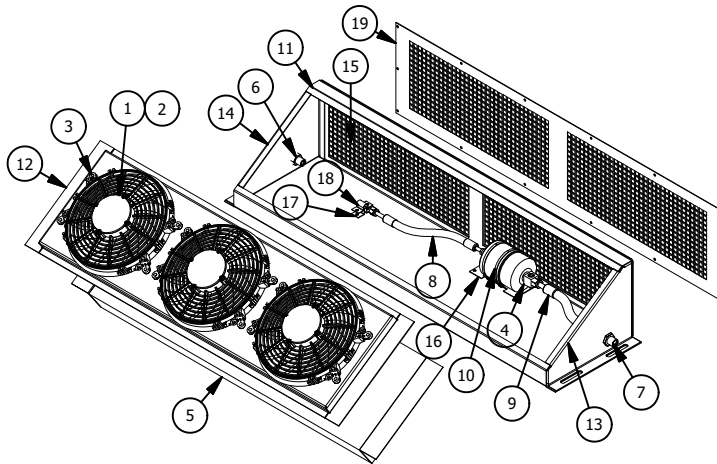
## Remote Skirt Mount Condenser

### 07-78000 Series w/Small Bolt On Grille

### 07-78001 Series w/Large Through Body Grille



SPECIFICATIONS								
UNIT NO.	BTU'S COOL	AIR FLOW	HEIGHT	WIDTH	DEPTH	WEIGHT	MOTOR	CURRENT DRAW
07-78000-12 07-78001-12	55,000-78,000	2300 CFM	11.25"	48.625"	12.625"	65 LBS	3-12" Pancake	24 AMPS
07-78000-24 07-78001-24	55,000-78,000	2300 CFM	11.25"	48.625"	12.625"	65 LBS	3-12" Pancake	12 AMPS



#### FEATURES

- Available 12 or 24 Volt
- 5 Row Multi-Flow Condenser Coil
- High Capacity Water Resistant Motors
- High Capacity Receiver Drier
- Total Serviceability - No Pop Rivets to Drill Out When Servicing
- Stainless Steel Bolts & Nuts
- Aluminum Construction

78000 SERIES PARTS LIST						
ITEM	QTY 07-78000-12	QTY 07-78000-24	QTY 07-78001-12	QTY 07-78001-24	DTAC NO.	DESCRIPTION
1	3	0	3	0	02-4011S	11" Fan Asm, 12V Puller
2	0	3	0	3	02-4011S-24	11" Fan Asm, 24V Puller
3	12	12	12	12	02-50025	Mount Leg
4	1	1	1	1	06-12040	Drier
5	1	1	1	1	07-78001	Cond Coil
6	1	1	1	1	09-50004	#8 MIO Bulkhead
7	1	1	1	1	09-50005	#10 MIO Bulkhead
8	1	1	1	1	10-78006	#6 Hose Asm
9	1	1	1	1	10-78008	#8 Hose Asm
10	2	2	2	2	12-60064	4" Clamp
11	1	1	1	1	78-00000	Btm Housing
12	1	1	1	1	78-00001	Lid
13	1	1	1	1	78-00002	Right Panel
14	1	1	1	1	78-00003	Left Panel
15	1	1	0	0	78-00004	Grille, SM Bolt On
16	1	1	1	1	78-00005	Drier Brkt
17	1	1	1	1	78-00006	Hold Down Brkt
18	1	1	1	1	78-00007	Tube Hold Down Brkt
19	0	0	1	1	78-00008	Grille, LG Through Body



## PREVENTATIVE MAINTENANCE

DTAC strives to manufacture A/C systems of superior quality. However, as with all mechanical equipment, normal maintenance must be performed for your A/C to function at peak capacity. A well-maintained A/C system will save on down time and premature component failures.

**Weekly inspections or every 2 days in severe environments should include:**

1. Inspect compressor clutch drive belts (tightness, wear).
2. Inspect compressor mounting brackets (bolts, alignment).
3. Inspect mounting hardware on evaporator unit and condensers.
4. Inspect air intake filter. (Clean or replace filter).
5. Inspect evaporator and condenser coils. (Clean using air pressure. **DO NOT USE WATER OR PRESSURE WASHERS**).
6. Inspect hose and wire harness for proper routing, leaks and wear.

### Helpful Hints

Make sure the evaporator air intake area is not obstructed (i.e. toolboxes, clothing, lunch box, etc.).

Manual thermostats on our systems, when rotated clockwise to the stop position will not allow the A/C compressor clutch to cycle. The compressor will run continuously and the evaporator coil will not defrost. **REMEDY:** Turn the manual thermostat knob clockwise to the stop position, then turn the thermostat knob back counter clockwise  $\frac{1}{4}$  turn.

DTAC thanks you for purchasing our units. It is our endeavor to provide you with a quality A/C unit with trouble free service.