



DTAC UNITS Auxiliary Heater 218 & 219 Series

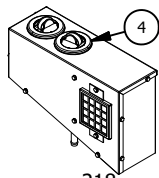
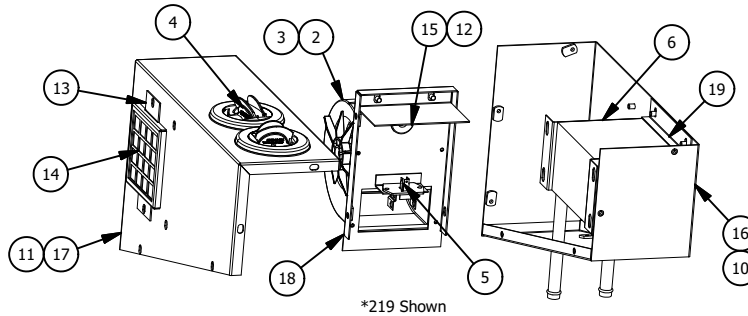


FEATURES

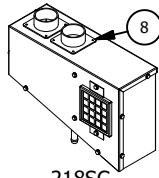
- Two Speed Blower
- Filter Air Intake
- Steel Case
- Black Powder Coat Finish
- Floor Mount Configuration

SPECIFICATIONS

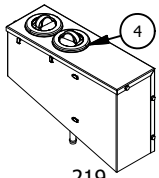
UNIT NO.	MOUNT	BTU'S HEAT	AIR FLOW	HEIGHT	WIDTH	DEPTH	WEIGHT	MOTOR	CURRENT DRAW
218-12	Right Side	15,300	225 CFM	10.50"	16.25"	6"	15 LBS	1-12V	15.0 AMPS @ 13.6 VDC
218-12SC	Right Side	15,300	225 CFM	10.50"	16.25"	6"	15 LBS	1-12V	15.0 AMPS @ 13.6 VDC
218-24	Right Side	15,300	225 CFM	10.50"	16.25"	6"	15 LBS	1-24V	15.0 AMPS @ 13.6 VDC
219-12	Left Side	15,300	225 CFM	10.50"	16.25"	6"	15 LBS	1-12V	15.0 AMPS @ 13.6 VDC
219-24	Left Side	15,300	225 CFM	10.50"	16.25"	6"	15 LBS	1-24V	15.0 AMPS @ 13.6 VDC



218



218SC



219

218/218-SC/219 PARTS LIST

ITEM	QTY 218-12	QTY 218-24	QTY 218-12SC	QTY 219-24	QTY 219-24	DTAC NO.	DESCRIPTION	NOTE
1	0	0	2	0	0	02-01892	2.5" Y-Adapter	1
2	1	0	1	1	0	02-04200	12V Motor	
3	0	1	0	0	1	02-04201	24V Motor	
4	2	2	0	2	2	02-62003	4" Closable Louver	
5	1	1	1	1	1	03-13043	Resistor 3 Prong	
6	1	1	1	1	1	07-00218	Heater Coil	
7	0	0	5	0	0	10-20026	2.5" Duct Hose	1
8	0	0	2	0	0	11-25001PL	2.5" Duct Hose Adap.	
9	1	1	1	1	1	12-00218	Wire Harness	1
10	1	1	1	0	0	21-80000	Housing, 218	
11	1	1	1	0	0	21-80001	Lid, 218	
12	1	1	1	0	0	21-80002	Motor Mount, 218	
13	1	1	1	1	1	21-80003	Filter Cover	
14	1	1	1	1	1	21-80004	Filter	
15	0	0	0	1	1	21-80005	Coil Bracket	
16	0	0	0	1	1	21-90000	Housing, 219	
17	0	0	0	1	1	21-90001	Lid, 219	
18	0	0	0	1	1	21-90002	Motor Mount, 219	
19	0	0	0	1	1	21-90003	Side Coil Hold Brkt	
20						NOTE 1	Not Shown	



PREVENTATIVE MAINTENANCE

DTAC strives to manufacture A/C systems of superior quality. However, as with all mechanical equipment, normal maintenance must be performed for your A/C to function at peak capacity. A well-maintained A/C system will save on down time and premature component failures.

Weekly inspections or every 2 days in severe environments should include:

1. Inspect compressor clutch drive belts (tightness, wear).
2. Inspect compressor mounting brackets (bolts, alignment).
3. Inspect mounting hardware on evaporator unit and condensers.
4. Inspect air intake filter. (Clean or replace filter).
5. Inspect evaporator and condenser coils. (Clean using air pressure. **DO NOT USE WATER OR PRESSURE WASHERS**).
6. Inspect hose and wire harness for proper routing, leaks and wear.

Helpful Hints

Make sure the evaporator air intake area is not obstructed (i.e. toolboxes, clothing, lunch box, etc.).

Manual thermostats on our systems, when rotated clockwise to the stop position will not allow the A/C compressor clutch to cycle. The compressor will run continuously and the evaporator coil will not defrost. **REMEDY:** Turn the manual thermostat knob clockwise to the stop position, then turn the thermostat knob back counter clockwise $\frac{1}{4}$ turn.

DTAC thanks you for purchasing our units. It is our endeavor to provide you with a quality A/C unit with trouble free service.