



# DTAC UNITS Auxiliary Heater 218 & 219 Series

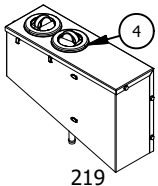
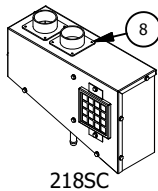
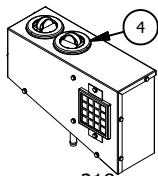
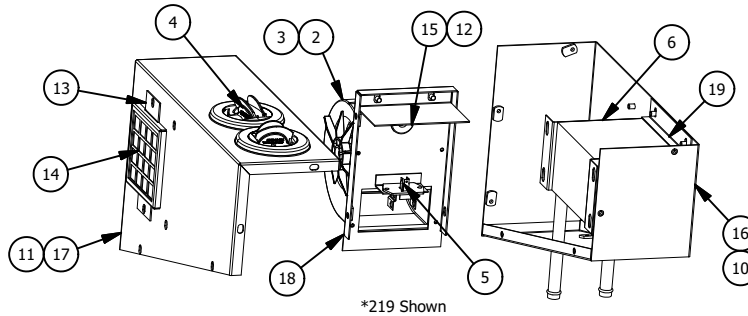


### FEATURES

- Two Speed Blower
- Filter Air Intake
- Steel Case
- Black Powder Coat Finish
- Floor Mount Configuration

### SPECIFICATIONS

UNIT NO.	MOUNT	BTU'S HEAT	AIR FLOW	HEIGHT	WIDTH	DEPTH	WEIGHT	MOTOR	CURRENT DRAW
218-12	Right Side	15,300	225 CFM	10.50"	16.25"	6"	15 LBS	1-12V	15.0 AMPS @ 13.6 VDC
218-12SC	Right Side	15,300	225 CFM	10.50"	16.25"	6"	15 LBS	1-12V	15.0 AMPS @ 13.6 VDC
218-24	Right Side	15,300	225 CFM	10.50"	16.25"	6"	15 LBS	1-24V	15.0 AMPS @ 13.6 VDC
219-12	Left Side	15,300	225 CFM	10.50"	16.25"	6"	15 LBS	1-12V	15.0 AMPS @ 13.6 VDC
219-24	Left Side	15,300	225 CFM	10.50"	16.25"	6"	15 LBS	1-24V	15.0 AMPS @ 13.6 VDC



### 218/218-SC/219 PARTS LIST

ITEM	QTY 218-12	QTY 218-24	QTY 218-12SC	QTY 219-24	QTY 219-24	DTAC NO.	DESCRIPTION	NOTE
1	0	0	2	0	0	02-01892	2.5" Y-Adapter	1
2	1	0	1	1	0	02-04200	12V Motor	
3	0	1	0	0	1	02-04201	24V Motor	
4	2	2	0	2	2	02-62003	4" Closable Louver	
5	1	1	1	1	1	03-13043	Resistor 3 Prong	
6	1	1	1	1	1	07-00218	Heater Coil	
7	0	0	5	0	0	10-20026	2.5" Duct Hose	1
8	0	0	2	0	0	11-25001PL	2.5" Duct Hose Adap.	
9	1	1	1	1	1	12-00218	Wire Harness	1
10	1	1	1	0	0	21-80000	Housing, 218	
11	1	1	1	0	0	21-80001	Lid, 218	
12	1	1	1	0	0	21-80002	Motor Mount, 218	
13	1	1	1	1	1	21-80003	Filter Cover	
14	1	1	1	1	1	21-80004	Filter	
15	0	0	0	1	1	21-80005	Coil Bracket	
16	0	0	0	1	1	21-90000	Housing, 219	
17	0	0	0	1	1	21-90001	Lid, 219	
18	0	0	0	1	1	21-90002	Motor Mount, 219	
19	0	0	0	1	1	21-90003	Side Coil Hold Brkt	
20						NOTE 1	Not Shown	