



DTAC UNITS Auxiliary Heater 230 Series

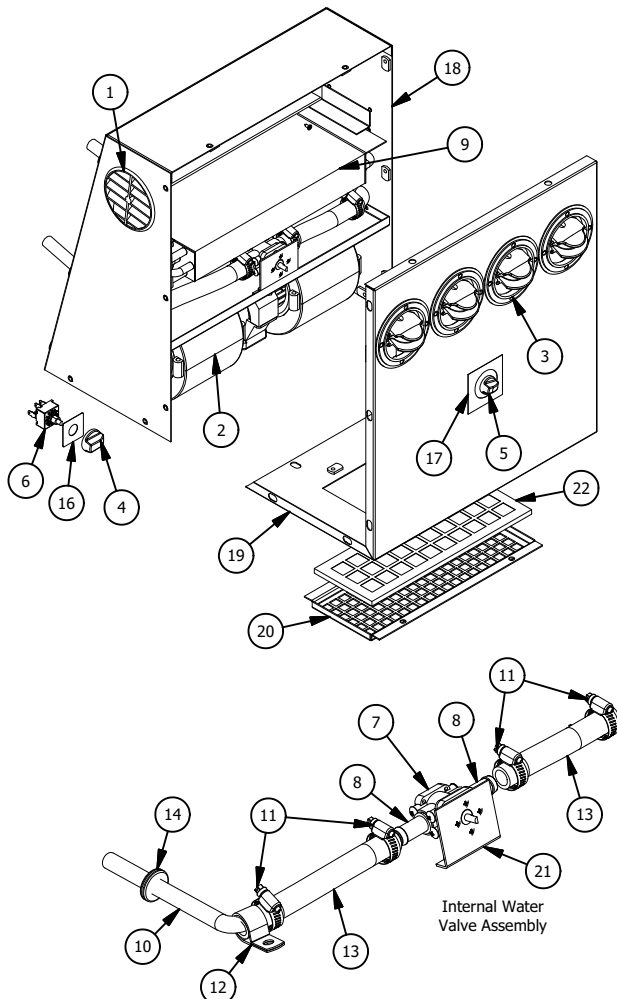


FEATURES

- Two Speed Blower
- Filter Air Intake
- Internal Water Valve
- Steel Case
- Black Powder Coat Finish
- Floor or Backwall Mount Configuration

SPECIFICATIONS

UNIT NO.	BTU'S HEAT	AIR FLOW	HEIGHT	WIDTH	DEPTH	WEIGHT	MOTOR	CURRENT DRAW
230-12A	38,000	345 CFM	16.75"	18"	10"	28 LBS	1-12V	18.7 AMPS



230-12A Parts List

ITEM	QTY	DTAC NO.	DESCRIPTION	NOTE
1	1	02-16061	3-1/2" Louver	
2	1	02-17505	Blower Assy. 24V	
3	4	02-62003	4" Round Closable Louver	
4	1	03-00163	Knob 1/4" DIA	
5	1	03-00165	Knob	
6	1	03-13006	Rotary 3-Speed Switch	
7	1	05-00905	05-00805	
8	2	05-80501	5/8" Nylon Tube, Straight	
9	1	07-00230	230 Heater Coil	
10	1	07-00230.T	Secondary Tube	2
11	4	09-04000	Hose Clamp #6/#8	
12	1	09-04002	Single Hose Clamp	
13	2	10-00058	5/8 Heater Hose	
14	3	12-00116	One Inch Grommet	
15	1	12-00230	Wire Harness	1
16	1	12-50421	Face Plate - Air	
17	1	12-50740	Decal	
18	1	23-00000A	230A Housing	
19	1	23-00001A	230A Lid	
20	1	23-00002	230 Filter Cover	
21	1	23-00003	Water Valve Brkt, 230	
22	1	50-00005	FILTER 500	
23		Note 1	Not Shown	
24		Note 2	Part of #9, 07-00230	