

DTAC UNITS

Cool Only, Ceiling Mount

300 Series



FEATURES

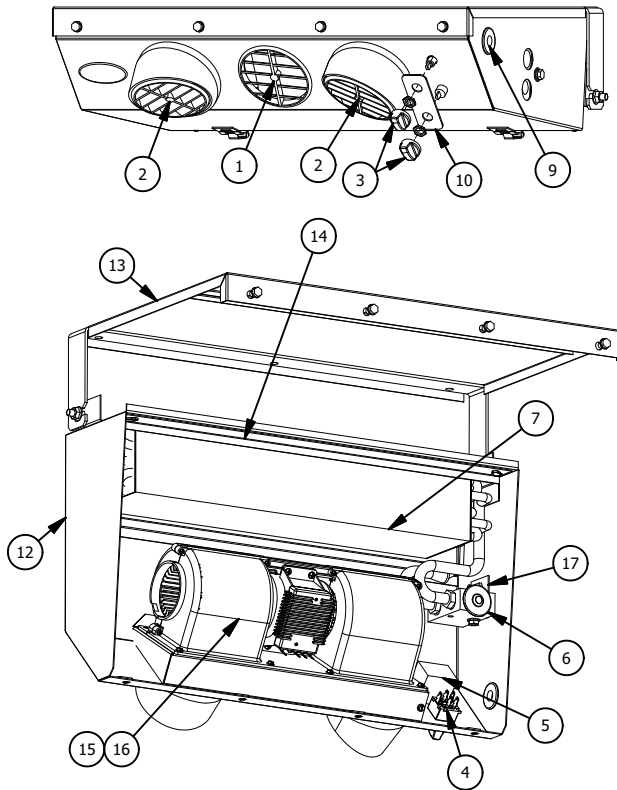
- Available 12 or 24 Volt
- Three Speed Blower Motor
- Adjustable Thermostat
- Directional Round Louver
- Removable, Washable Filter
- Low Profile for Maximum Head Room
- Steel Case
- Black Powder Coat Finish

OPTIONS

- ▶ Outside Air Adapter Assembly for Pressurization
Order Part No. 11-52104
- ▶ Filter - Order Part No. 11-52105

SPECIFICATIONS

UNIT NO.	BTU'S COOL	AIR FLOW	HEIGHT	WIDTH	DEPTH	WEIGHT	MOTOR	CURRENT DRAW
300-12V	20,200	295 CFM	5.75"	22.125"	14"	24 LBS	1-12V	13 AMPS @ 13.5 VDC
300-24V	20,200	295 CFM	5.75"	22.125"	14"	24 LBS	1-24V	8 AMPS @ 27 VDC



300 PARTS LIST

ITEM	QTY 12V	QTY 24V	DTAC NO.	DESCRIPTION	NOTE
1	1	1	02-16061	3-1/2" Louver	
2	2	2	02-16071	3.5" Angled Louver	
3	2	2	03-00165	Knob	
4	1	1	03-13006	Rotary 3-Speed Switch	
5	1	1	03-14002	Rotary Thermostat	
6	1	1	04-15004	Block Expansion Valve	
7	1	1	07-00300	Evaporator Coil	
8	1	1	12-00026	Wire Harness	1
9	1	1	12-00116	One Inch Grommet	
10	1	1	12-50419	Faceplate	
11	1	1	30-50253	Intake Filter	1
12	1	1	30-51279	Housing	
13	1	1	30-51281	Lid	
14	1	1	30-51286	Coil Hold Brkt	
15	1	0	30-51580	12V Blower Assembly	
16	0	1	30-51581	24V Blower Assembly	
17	1	1	50-50500	Expansion Valve Mnt Brkt	
18			Note 1	Not Shown	