



# DTAC UNITS Heat/Cool, Ceiling Mount 301 Series

## FEATURES

- Available 12 or 24 Volt
- Three Speed Blower Motor
- Adjustable Thermostat
- 3 - 3.5" Directional Round Louvers
- Removable, Washable Filter
- Low Profile for Maximum Head Room
- Steel Case
- Black Powder Coat Finish

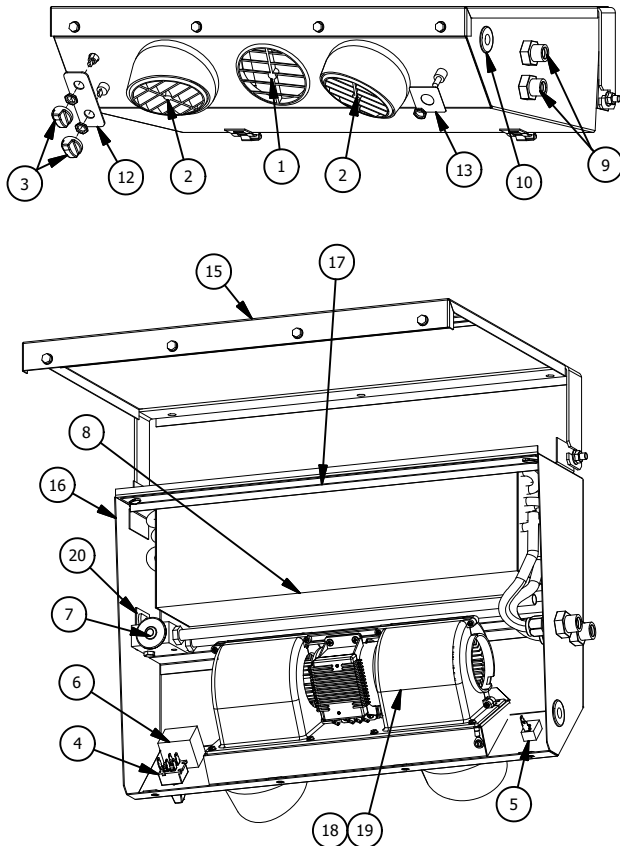
## OPTIONS

- ▶ Outside Air Adapter Assembly for Pressurization  
Order Part No. 11-52104
- ▶ Filter - Order Part No. 11-52105



## SPECIFICATIONS

UNIT NO.	BTU'S HEAT	BTU'S COOL	AIR FLOW	HEIGHT	WIDTH	DEPTH	WEIGHT	MOTOR	CURRENT DRAW
301-12V	16,600	20,200	295 CFM	5.75"	22"	15.50"	24 LBS	1-12V	13 AMPS @ 13.5 VDC
301-24V	16,600	20,200	295 CFM	5.75"	22"	15.50"	24 LBS	1-24V	8 AMPS @ 27 VDC



## 301 PARTS LIST

ITEM	QTY 12V	QTY 24V	DTAC NO.	DESCRIPTION	NOTE
1	1	1	02-16061	3-1/2" Louver	
2	2	2	02-16071	3.5" Angled Louver	
3	2	2	03-00165	Knob	
4	1	1	03-13006	Rotary 3-Speed Switch	
5	1	1	03-13020	Toggle Switch	
6	1	1	03-14002	Rotary Thermostat	
7	1	1	04-15004	Block Expansion Valve	
8	1	1	07-00301	Evaporator Coil	
9	2	2	09-50004	#8 MIO Bulkhead	
10	1	1	12-00116	One Inch Grommet	
11	1	1	12-00301	Wire Harness	1
12	1	1	12-50419	Faceplate	
13	1	1	12-50420	Face Plate - Heat/Cool	
14	1	1	30-50253	Intake Filter	1
15	1	1	30-51284	Lid	
16	1	1	30-51285	Housing	
17	1	1	30-51286	Coil Hold Brkt	
18	1	0	30-51580	12V Blower Assembly	
19	0	1	30-51581	24V Blower Assembly	
20	1	1	50-50500	Expansion Valve Mnt Brkt	
21			Note 1	Not Shown	