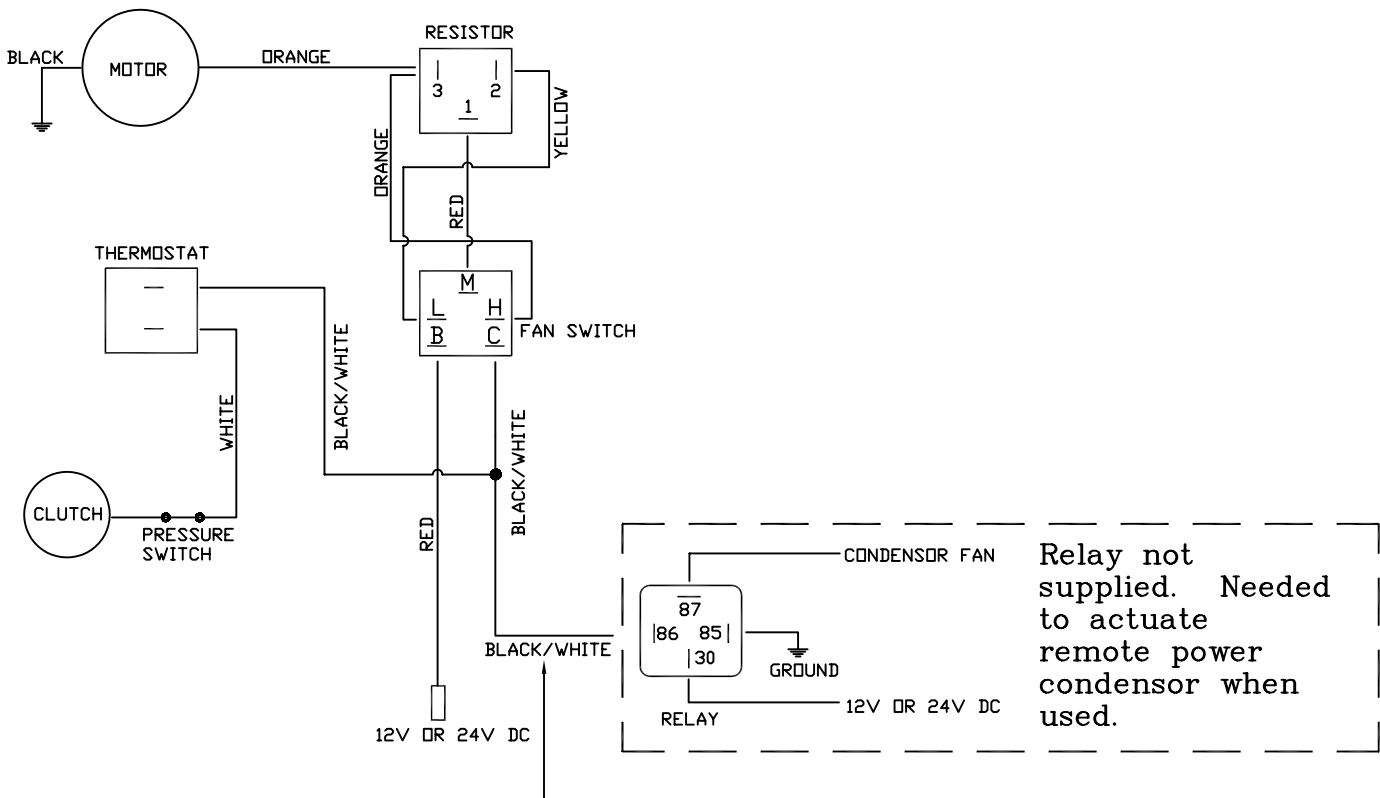




# 310-12 & 24, Evaporator Wiring Schematic



**NOTE:** Use only to actuate relay when using remote power condenser (NOT A GROUND).