



# DTAC UNITS

## Heat/Cool W/Remote Switch, Ceiling Mount

### 315-HCR Series



#### FEATURES

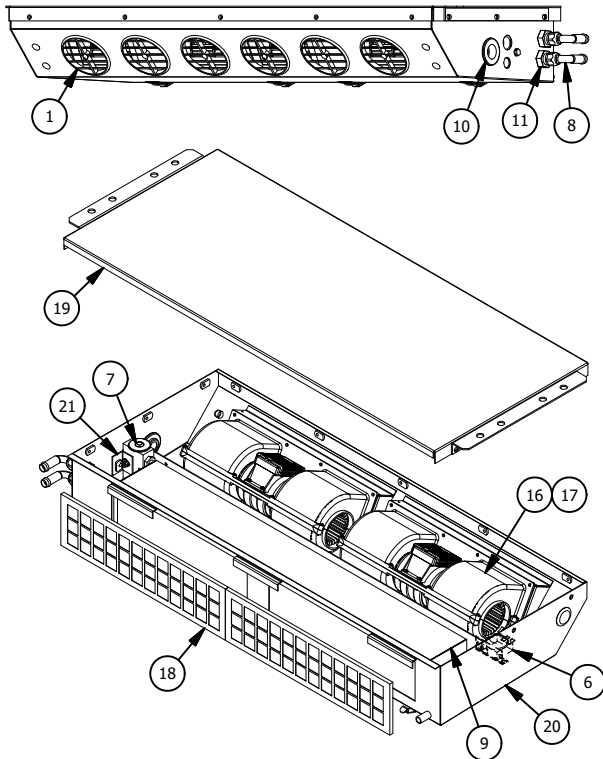
- Available 12 or 24 Volt
- Heavy Duty Metal Construction (Eliminates broken plastic cases & drain tubes)
- Removable Lid for Easy Access
- Filtered Intake Air
- Blower Assembly Enclosed Inside Case for Increased Safety
- 6 - 3.5" Louver Outlets for Maximum Air Flow
- Black Powder Coat Finish

#### OPTIONS

- ▶ Outside Air Adapter Assembly for Pressurization Order Part No. 11-52104
- ▶ Filter - Order Part No. 11-52105

#### SPECIFICATIONS

UNIT NO.	BTU'S HEAT	BTU'S COOL	AIR FLOW	HEIGHT	WIDTH	DEPTH	WEIGHT	MOTOR	CURRENT DRAW
315-12HCR	22,000	33,000	410 CFM	5"	35.5"	14.75"	48 LBS	1-12V	24 AMPS @ 13.6 VDC
315-24HCR	22,000	33,000	410 CFM	5"	35.5"	14.75"	48 LBS	1-24V	14 AMPS @ 27 VDC



#### 315-HCR PARTS LIST

ITEM	QTY 12V	QTY 24V	DTAC NO.	DESCRIPTION	NOTE
1	6	6	02-16061	3-1/2" Louver	
2	1	1	03-00165	Knob	1
3	1	1	03-13006	Rotary 3-Speed Switch	1
4	1	1	03-13020	Toggle Switch	1
5	1	1	03-13029	40 Amp Circuit Breaker	1
6	1	1	03-14013	Preset Thermostat	
7	1	1	04-15004	Block Expansion Valve	
8	2	2	05-00301	90 Degree Heater Fitting	
9	1	1	07-00315	Heat/Cool Evap Coil	
10	1	1	09-00621	One Inch Grommet	
11	2	2	09-50004	#8 MIO Bulkhead w Jam Nut	
12	1	1	12-00315R	External Remote Wire Harness	1
13	1	1	12-00315RS	Internal Wire Harness (Remote)	1
14	1	1	12-50420	Face Plate - Heat/Cool	1
15	1	1	12-50421	Face Plate - Air Increase	1
16	2	0	30-51580	12V Blower Assembly	
17	0	2	30-51581	24V Blower Assembly	
18	2	2	31-50000	FILTER 315	
19	1	1	31-50001	Lid	
20	1	1	31-50002	Housing	
21	1	1	50-50500	Expansion Valve Mnt Brkt	
22	*	*	Note 1	Not Shown	