

# DTAC UNITS

## Heat/Cool W/Remote Switch, Ceiling Mount

### 331 Series

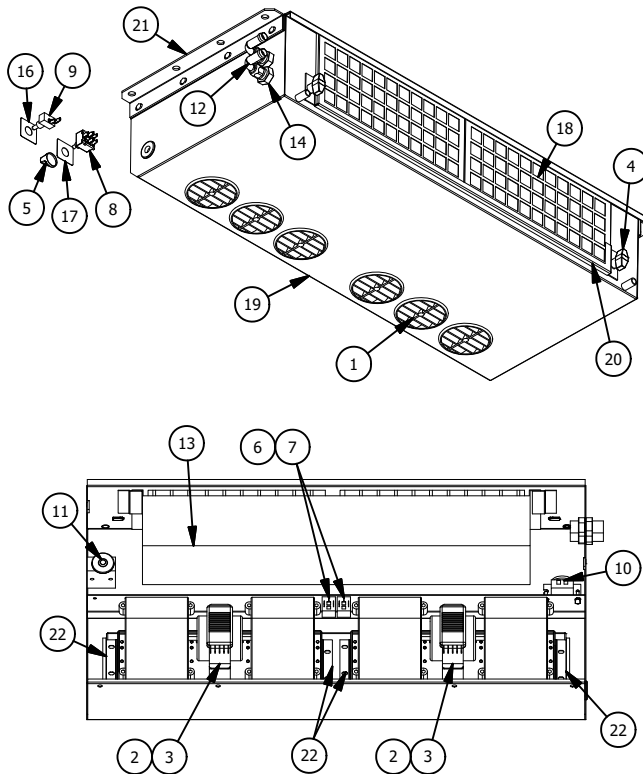


#### FEATURES

- Available 12 or 24 Volt
- Heavy Duty Metal Construction
- Removable Lid for Easy Access
- Filtered Intake Air
- Blower Assembly Enclosed Inside Case for Increased Safety
- 6 - 3.5" Louver Outlets for Maximum Air Flow
- Black Powder Coat Finish

#### SPECIFICATIONS

UNIT NO.	BTU'S HEAT	BTU'S COOL	AIR FLOW	HEIGHT	WIDTH	DEPTH	MOTOR	CURRENT DRAW
331-12	35,000	40,000	465 CFM	6.68"	36.75"	16"	1-12V	25 AMPS @ 13.6 VDC
331-24	35,000	40,000	465 CFM	6.68"	36.75"	16"	1-24V	15 AMPS @ 27 VDC



Internal Components

#### 331 PARTS LIST

ITEM	QTY 12V	QTY 24V	DTAC NO.	DESCRIPTION	NOTE
1	6	6	02-16061	3-1/2" Louver	
2	2	0	02-17505	12V Blower Assembly	
3	0	2	02-17510	24V Blower Assembly	
4	2	2	03-00164	Knob	
5	1	1	03-00165	Knob	
6	2	0	03-01702	12V Relay	
7	0	2	03-01704	24V Relay	
8	1	1	03-13006	Rotary 3-Speed Switch	
9	1	1	03-13020	Toggle Switch	
10	1	1	03-14013	Preset Thermostat	
11	1	1	04-15004	Block Expansion Valve	
12	2	2	05-00301	90 Degree Heater Fitting	
13	1	1	07-00330	H/C Coil	
14	2	2	09-50008	#8 Bulkhead With Nuts	
15	1	1	12-00330	Wire Harness	1
16	1	1	12-50420	Face Plate - Heat/Cool	
17	1	1	12-50421	Face Plate - Air Increase	
18	2	2	14-10000	141 Intake Filter	
19	1	1	33-00001	Housing	
20	1	1	33-00003	Filter Frame	
21	1	1	33-10000	Lid 331	
22	4	4	70-51597	Blower Motor Retainer	
23			NOTE	Not Shown	