



DTAC UNITS Heat/Cool, Floor Mount 402 Series



FEATURES

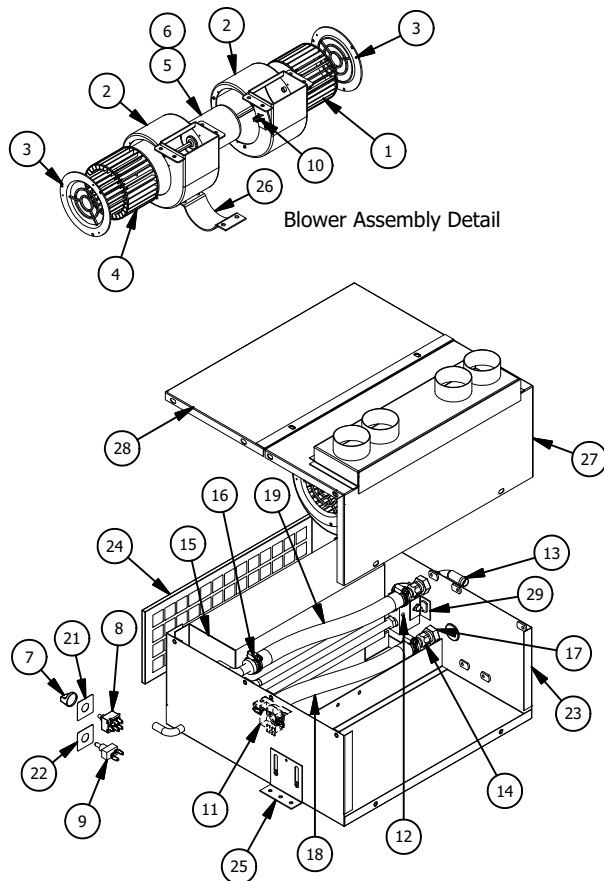
- Available 12 or 24 Volt
- Four 2.5" Duct Hose Outlets
- Three Speed Blower w/Remote Switch
- Preset Thermostat
- E-Z Servicing by Removing Top
- Removable, Washable Filter
- Steel Case
- Black Powder Coat Finish

OPTIONS

► Universal Louver Outlets Order Part No. 410-AL4 or 420-AP2

SPECIFICATIONS

UNIT NO.	BTU'S HEAT	BTU'S COOL	AIR FLOW	HEIGHT	WIDTH	DEPTH	WEIGHT	MOTOR	CURRENT DRAW
402-12	26,000	26,000	405 CFM	7.50"	18"	17.50"	30 LBS	1-12V	22.5 AMPS @ 13.6 VDC
402-24	26,000	26,000	405 CFM	7.50"	18"	17.50"	30 LBS	1-24V	15 AMPS @ 26.8 VDC



402 PARTS LIST

ITEM	QTY 12V	QTY 24V	DTAC NO.	DESCRIPTION	NOTE
1	1	1	02-16039	Blower Wheel CCW 701	
2	2	2	02-16058	Blower Housing	
3	2	2	02-16059	Venturi	
4	1	1	02-16400	Blower Wheel CW 701	
5	1	0	02-17018	12V DS 1SP Motor	
6	0	1	02-17118	24V DS 1SP Motor	
7	1	1	03-00165	Knob	
8	1	1	03-13006	Rotary 3-Speed Switch	
9	1	1	03-13020	Toggle Switch	
10	1	1	03-13043	Resistor 3 Prong	
11	1	1	03-14013	Preset Thermostat	
12	1	1	04-15004	Block Expansion Valve	
13	2	2	05-00301	90 Degree Heater Fitting	
14	2	2	05-50818	Heater Fitting	
15	1	1	07-00913	Heat/Cool Coil	
16	4	4	09-04000	Hose Clamp #6/#8	
17	2	2	09-50004	#8 MIO Bulkhead w Jam Nut	
18, 19	2	2	10-00058	5/8" Heater Hose	
20	1	1	12-00400	Wire Harness	1
21	1	1	12-50420	Face Plate - Heat/Cool	
22	1	1	12-50421	Face Plate - Air Increase	
23	1	1	40-00002	Housing	
24	1	1	40-00003	Intake Filter	
25	2	2	40-00004	Mounting Leg	
26	1	1	40-00005	TOP MOTOR MOUNT	
27	1	1	40-00015	Blower Lid	
28	1	1	40-00016	Back Lid	
29	1	1	50-50500	Expansion Valve Mnt Brkt	
30			Note 1	Not Shown	