

# DTAC UNITS

## Heat/Cool, Floor Mount

### 430 Series



#### FEATURES

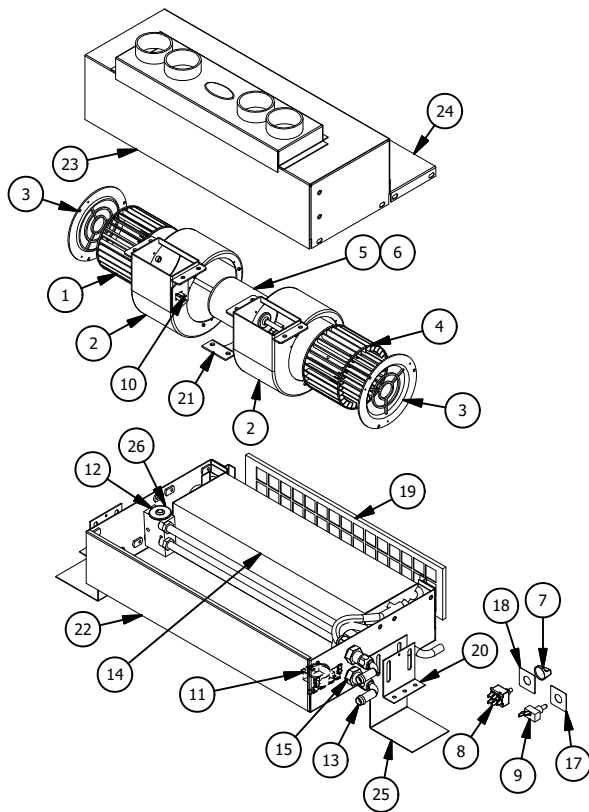
- Available 12 or 24 Volt
- Three Speed Blower Motor
- Preset Thermostat
- 4 - 2.5" Duct Hose Outlets
- Air Intake Filter
- Air Remote Fan Speed Switch
- Remote Heat/Cool Switch
- Steel Case
- Black Powder Coat Finish

#### OPTIONS

- ▶ Universal Louver Outlets Order Part No. 410-AL4 or 420-AP2

#### SPECIFICATIONS

UNIT NO.	BTU'S HEAT	BTU'S COOL	AIR FLOW	HEIGHT	WIDTH	DEPTH	WEIGHT	MOTOR	CURRENT DRAW
430-12	16,000	20,200	395 CFM	11"	22"	12"	34LBS	1-12V	22.5 AMPS @ 13.6 VDC
430-24	16,000	20,200	395 CFM	11"	22"	12"	34LBS	2-24V	15 AMPS @ 26.8 VDC



#### 430 PARTS LIST

ITEM	QTY 12V	QTY 24V	DTAC NO.	DESCRIPTION	NOTE
1	1	1	02-16039	Blower Wheel CCW 701	
2	2	2	02-16058	Blower Housing	
3	2	2	02-16059	Venturi	
4	1	1	02-16400	Blower Wheel CW 701	
5	1	0	02-17018	12V DS 1SP Motor	
6	0	1	02-17118	24V DS 1SP Motor	
7	1	1	03-00165	Knob	
8	1	1	03-13006	Rotary 3-Speed Switch	
9	1	1	03-13020	Toggle Switch	
10	1	1	03-13043	Resistor 3 Prong	
11	1	1	03-14013	Preset Thermostat	
12	1	1	04-15004	Block Expansion Valve	
13	2	2	05-00301	90 Degree Heater Fitting	
14	1	1	07-00301	Evaporator Coil	
15	2	2	09-50004	#8 MIO Bulkhead w Jam Nut	
16	1	1	12-00400	Wire Harness	1
17	1	1	12-50420	Face Plate - Heat/Cool	
18	1	1	12-50421	Face Plate - Air Increase	
19	1	1	30-50253	Intake Filter, 18.875 x 4.25	
20	2	2	40-00004	Mounting Leg	
21	1	1	40-00005	TOP MOTOR MOUNT	
22	1	1	43-00001	Bottom Housing	
23	1	1	43-00002	Blower Lid	
24	1	1	43-00003	Coil Lid	
25	2	2	43-00006	Long Mount Brkt	
26	1	1	50-50500	Expansion Valve Mnt Brkt	
27			Note 1	Not Shown	