

# DTAC UNITS

## Cool Only, Wall Mount, Between the Seat

### 500 Series

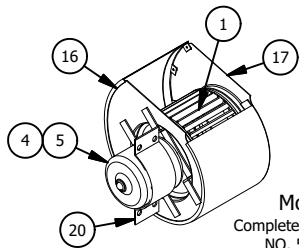


#### FEATURES

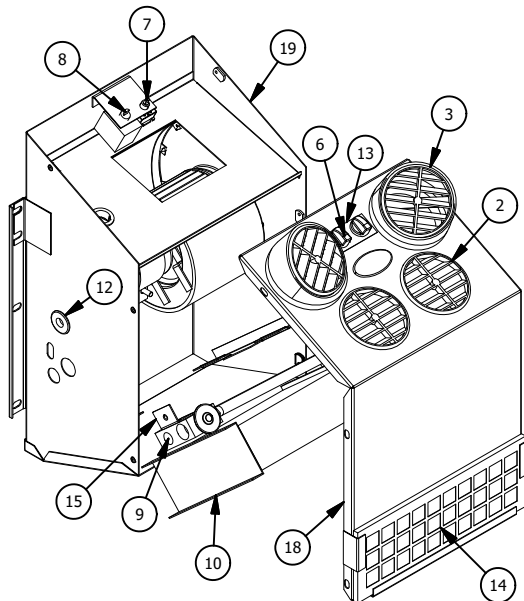
- Available 12 or 24 Volt
- Three Speed Blower Motor
- Adjustable Thermostat
- Block Type Expansion Valve
- Filtered Intake Air
- E-Z Service By Removing Front Panel
- Mounting Flange Welded to Case
- Steel Case
- Black Powder Coat Finish

#### SPECIFICATIONS

UNIT NO.	BTU'S COOL	AIR FLOW	HEIGHT	WIDTH	DEPTH	WEIGHT	MOTOR	CURRENT DRAW
500-12	20,500	302 CFM	19.50"	11.81"	8.25"	26 LBS	1-12V	16 AMPS @ 13.5 VDC
500-24	20,500	302 CFM	19.50"	11.81"	8.25"	26 LBS	1-24V	7.5 AMPS @ 26.8 VDC



**Motor Detail**  
Complete Assembly Available  
NO. 50-50712 (12V)  
NO. 50-50724 (24V)



#### 500 PARTS LIST

ITEM	QTY 12V	QTY 24V	DTAC NO.	DESCRIPTION	NOTE
1	1	1	02-16039	Blower Wheel CCW 701	
2	2	2	02-16061	3-1/2" Louver	
3	2	2	02-16071	3.5" Angled Louver	
4	1	0	02-18005	12V 3SP Single Shaft Motor	
5	0	1	02-18105	24V 3SP Single Shaft Motor	
6	2	2	03-00165	Knob	
7	1	1	03-13006	Rotary 3-Speed Switch	
8	1	1	03-14002	Rotary Thermostat	
9	1	1	04-15004	Block Expansion Valve	
10	1	1	07-00500	Evaporator Coil	
11	1	1	12-00026	Wire Harness	1
12	1	1	12-00116	One Inch Grommet	
13	1	1	12-50739	Faceplate	
14	1	1	50-00005	FILTER 500	
15	1	1	50-50500	Expansion Valve Mnt Brkt	
16	1	1	50-50600	Blower Housing	
17	1	1	50-50601	Venturi	
18	1	1	50-50701	Top Housing	
19	1	1	50-50702	Bottom Housing	
20	1	1	50-50719	Motor Strap	
21			Note 1	Not Shown	