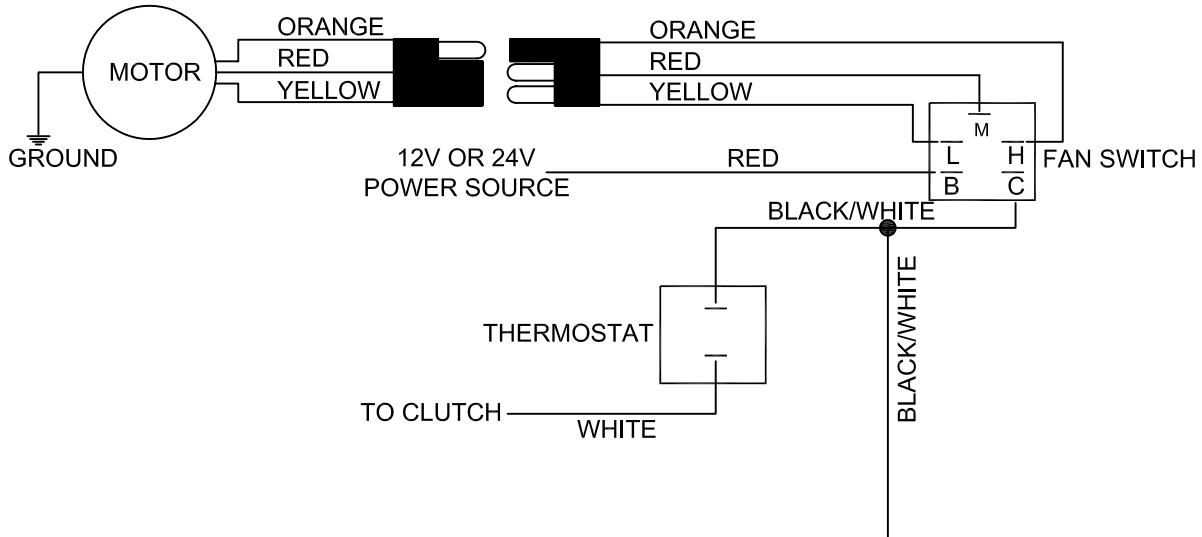




500-12/24, Evaporator Wiring Schematic

Rotation Wiring:
1. Yellow wire with ring terminal to ground
2. Plug blue male into red female



NOTE: Use only to actuate relay when using remote power condensor (NOT A GROUND).