



DTAC UNITS

Cool Only, Wall Mount

502 Series

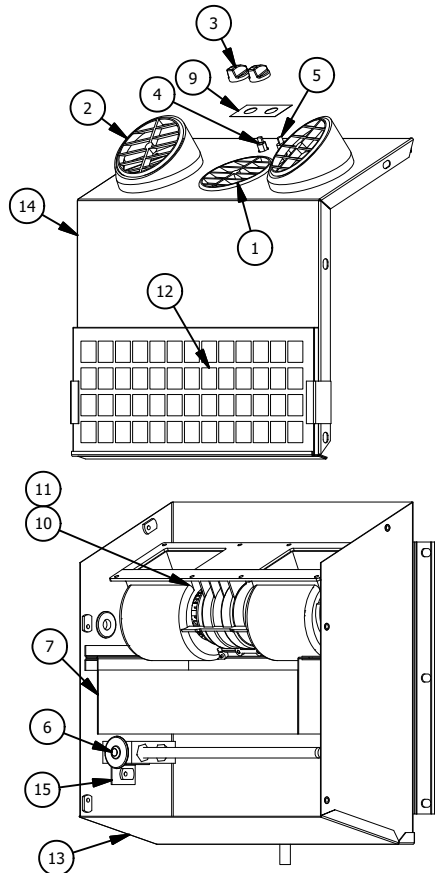


FEATURES

- Available 12 or 24 Volt
- Three Speed Blower Motor
- Adjustable Thermostat
- Block Type Expansion Valve
- Filtered Intake Air
- E-Z Service By Removing Front Panel
- Mounting Flange Welded to Case
- Steel Case
- Black Powder Coat Finish

SPECIFICATIONS

UNIT NO.	BTU'S COOL	AIR FLOW	HEIGHT	WIDTH	DEPTH	WEIGHT	MOTOR	CURRENT DRAW
502-12	18,000	302 CFM	16"	16.25"	6.75"	26 LBS	1-12V	13 AMPS @ 13.5 VDC
502-24	18,000	302 CFM	16"	16.25"	6.75"	26 LBS	1-24V	8 AMPS @ 27 VDC



502 PARTS LIST

ITEM	QTY 12V	QTY 24V	DTAC NO.	DESCRIPTION	NOTE
1	1	1	02-16061	3-1/2" Louver	
2	2	2	02-16071	3.5" Angled Louver	
3	2	2	03-00165	Knob	
4	1	1	03-13006	Rotary 3-Speed Switch	
5	1	1	03-14002	Rotary Thermostat	
6	1	1	04-15004	Block Expansion Valve	
7	1	1	07-00502	Coil Assembly	
8	1	1	12-00026	Wire Harness	1
9	1	1	12-50739	Faceplate	
10	1	0	30-51580	12V Blower Assembly	
11	0	1	30-51581	24V Blower Assembly	
12	1	1	40-00003	Intake Filter	
13	1	1	50-20000	Housing 502	
14	1	1	50-20001	Lid 502	
15	1	1	50-50500	Expansion Valve Mnt Brkt	
16			Note 1	Not Shown	