



DTAC UNITS Heat/Cool, Wall Mount 800 Series

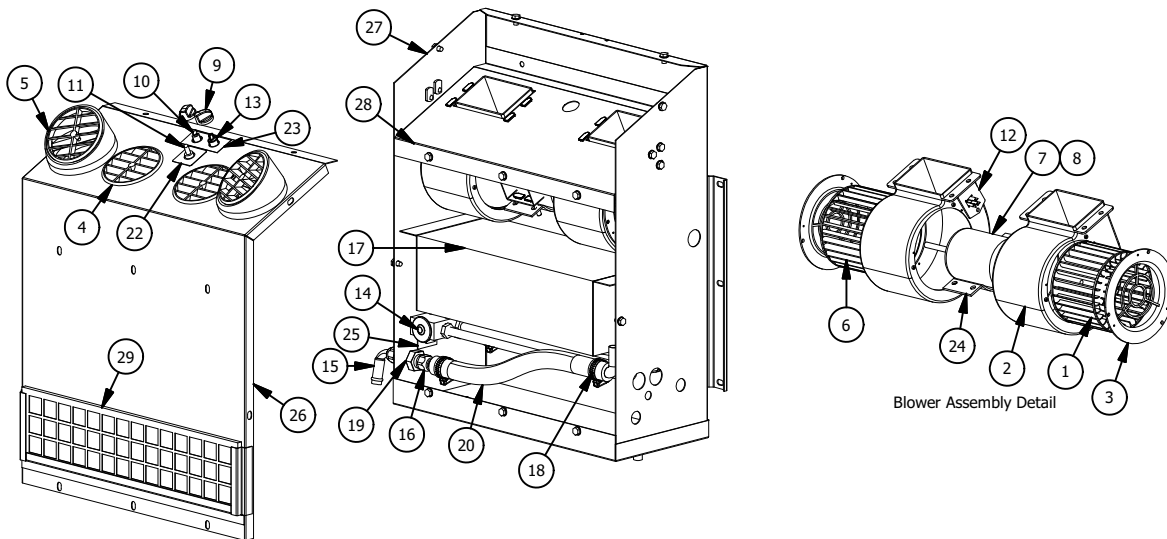


FEATURES

- Available 12 or 24 Volt
- Three Speed Blower Motor
- Adjustable Thermostat
- E-Z Servicing by Removing Front
- Mounting Flange Welded to Case
- Access to All Internal Parts **Without** Removal of Unit
- Steel Case
- Black Powder Coat Finish

SPECIFICATIONS

UNIT NO.	BTU'S HEAT	BTU'S COOL	AIR FLOW	HEIGHT	WIDTH	DEPTH	WEIGHT	MOTOR	CURRENT DRAW
800-12	26,000	26,000	405 CFM	22"	18"	7.5"	30 LBS	1-12V	22.5 AMPS @ 13.6 VDC
800-24	26,000	26,000	405 CFM	22"	18"	7.5"	30 LBS	1-24V	15 AMPS @ 26.8 VDC



800 PARTS LIST						800 PARTS LIST					
ITEM	QTY 12V	QTY 24V	DTAC NO.	DESCRIPTION	NOTE	ITEM	QTY 12V	QTY 24V	DTAC NO.	DESCRIPTION	NOTE
1	1	1	02-16039	Blower Wheel CCW 701		16	4	4	05-50818	Heater Fitting	
2	2	2	02-16058	Blower Housing		17	2	2	07-00913	Heat/Cool Coil	
3	2	2	02-16059	Venturi		18	8	8	09-04000	Hose Clamp #6/#8	
4	2	2	02-16061	3.5 in Louver		19	4	4	09-50004	#8 MIO Bulkhead w Jam Nut	
5	2	2	02-16071	3.5" Angled Louver		20	4	4	10-00058	5/8" Heater Hose	
6	1	1	02-16400	Blower Wheel CW 701		21	1	1	12-00801	Wire Harness	1
7	1	0	02-17018	12V DS 1SP Motor		22	1	1	12-50420	Face Plate - Heat/Cool	
8	0	1	02-17118	24V DS 1SP Motor		23	1	1	12-50739	Faceplate	
9	2	2	03-00165	Knob		24	1	1	40-00005	TOP MOTOR MOUNT	
10	1	1	03-13006	Rotary 3-Speed Switch		25	2	2	50-50500	Expansion Valve Mnt Brkt	
11	1	1	03-13020	Toggle Switch		26	1	1	80-00007	Lid	
12	1	1	03-13043	Resistor 3 Prong		27	1	1	80-00008	Rear Housing	
13	1	1	03-14002	Rotary Thermostat		28	1	1	80-00015	Blower Asm Plate	
14	2	2	04-15004	Block Expansion Valve		29	1	1	80-00017	Intake Filter, 800,315	
15	4	4	05-00301	90 Degree Heater Fitting		30			Note 1	Not Shown	