



DTAC UNITS

Heat/Cool, Wall Mount w/Water Valve

822 & 823 Series

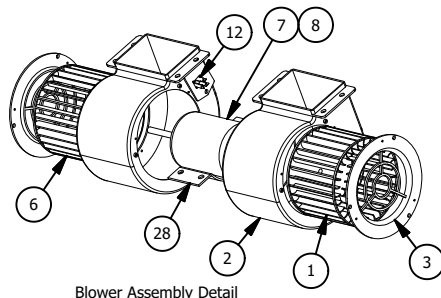
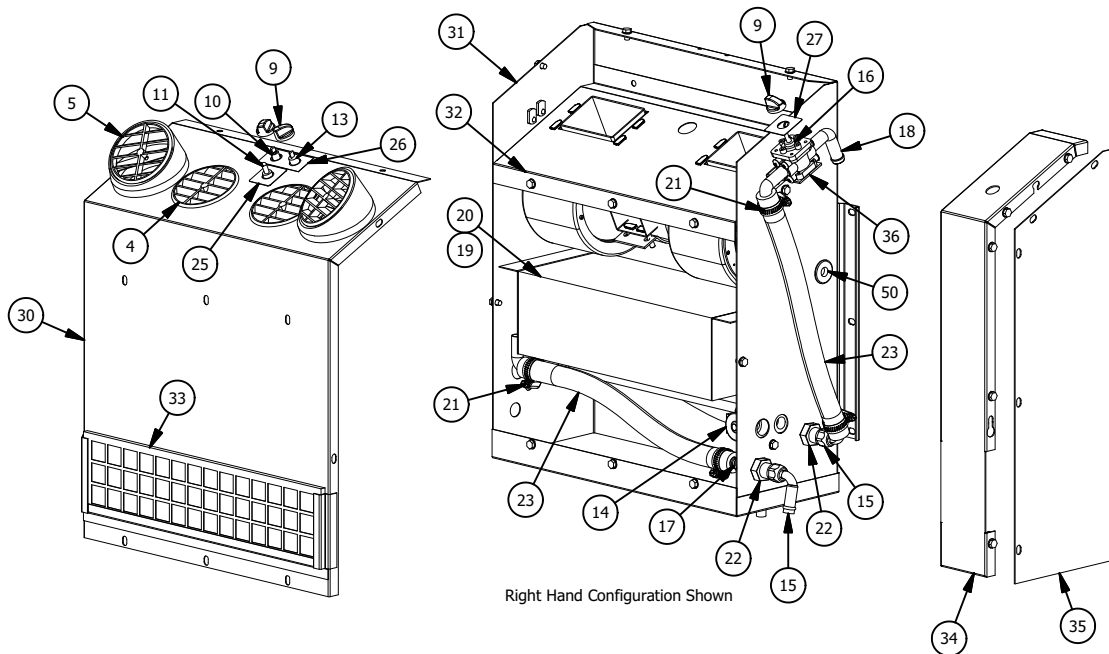


FEATURES

- Available 12 or 24 Volt
- Three Speed Blower Motor
- Adjustable Thermostat
- E-Z Servicing by Removing Front
- Mounting Flange Welded to Case
- Access to All Internal Parts **Without** Removal of Unit
- Steel Case
- Black Powder Coat Finish

SPECIFICATIONS

| UNIT NO. | BTU'S HEAT | BTU'S COOL | AIR FLOW | HEIGHT | WIDTH | DEPTH | WEIGHT | MOTOR | CURRENT DRAW |
|----------|------------|------------|----------|--------|-------|-------|--------|-------|----------------------|
| 822-12 | 26,000 | 26,000 | 405 CFM | 22" | 21.4" | 7.5" | 35 LBS | 1-12V | 22.5 AMPS @ 13.6 VDC |
| 822-24 | 26,000 | 26,000 | 405 CFM | 22" | 21.4" | 7.5" | 35 LBS | 1-24V | 15 AMPS @ 26.8 VDC |
| 823-12 | 30,000 | 24,000 | 405 CFM | 22" | 21.4" | 7.5" | 35 LBS | 1-12V | 22.5 AMPS @ 13.6 VDC |
| 823-24 | 30,000 | 24,000 | 405 CFM | 22" | 21.4" | 7.5" | 35 LBS | 1-24V | 15 AMPS @ 26.8 VDC |



822 & 823 MODEL DETAILS

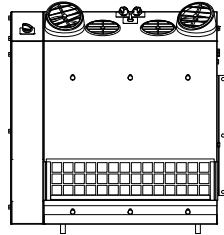
| DTAC NO. | VOLTAGE | SIDE COVER | HEAT |
|----------|---------|------------|-------|
| 822-12L | 12V | LEFT | 1 ROW |
| 822-12R | 12V | RIGHT | 1 ROW |
| 822-24L | 24V | LEFT | 1 ROW |
| 822-24R | 24V | RIGHT | 1 ROW |
| 823-12L | 12V | LEFT | 2 ROW |
| 823-12R | 12V | RIGHT | 2 ROW |
| 823-24L | 24V | LEFT | 2 ROW |
| 823-24R | 24V | RIGHT | 2 ROW |



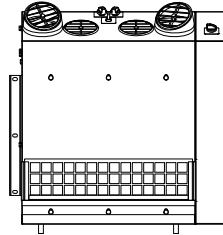
DTAC UNITS

Heat/Cool, Wall Mount w/Water Valve

822 & 823 Series



Left Side Cover



Right Hand Cover

| 822 & 823 PARTS LIST | | | | | | | |
|---------------------------------|------------|------------|------------|------------|----------|------------------------------|------|
| ITEM | QTY 822-12 | QTY 822-24 | QTY 823-12 | QTY 823-24 | DTAC NO. | DESCRIPTION | NOTE |
| 1 | 1 | 1 | 1 | 1 | 02-16039 | Blower Wheel CCW 701 | |
| 2 | 2 | 2 | 2 | 2 | 02-16058 | Blower Housing | |
| 3 | 2 | 2 | 2 | 2 | 02-16059 | Venturi | |
| 4 | 2 | 2 | 2 | 2 | 02-16061 | 3.5 in Louver | |
| 5 | 2 | 2 | 2 | 2 | 02-16071 | 3.5" Angled Louver | |
| 6 | 1 | 1 | 1 | 1 | 02-16400 | Blower Wheel CW 701 | |
| 7 | 1 | 0 | 1 | 0 | 02-17018 | 12V DS 1SP Motor | |
| 8 | 0 | 1 | 0 | 1 | 02-17118 | 24V DS 1SP Motor | |
| 9 | 3 | 3 | 3 | 3 | 03-00165 | Knob | |
| 10 | 1 | 1 | 1 | 1 | 03-13006 | Rotary 3-Speed Switch | |
| 11 | 1 | 1 | 1 | 1 | 03-13020 | Toggle Switch | |
| 12 | 1 | 1 | 1 | 1 | 03-13043 | Resistor 3 Prong | |
| 13 | 1 | 1 | 1 | 1 | 03-14002 | Rotary Thermostat | |
| 14 | 1 | 1 | 1 | 1 | 04-15004 | Block Expansion Valve | |
| 15 | 2 | 2 | 2 | 2 | 05-00301 | 90 Degree Heater Fitting | |
| 16 | 1 | 1 | 1 | 1 | 05-00905 | Water Valve Body | |
| 17 | 2 | 2 | 2 | 2 | 05-50818 | Heater Fitting | |
| 18 | 2 | 2 | 2 | 2 | 05-80900 | 90 Degree Nylon Elbow | |
| 19 | 0 | 0 | 1 | 1 | 07-00912 | Heat/Cool Coil | |
| 20 | 1 | 1 | 0 | 0 | 07-00913 | Heat/Cool Coil | |
| 21 | 6 | 6 | 6 | 6 | 09-04000 | Hose Clamp #6/#8 | |
| 22 | 2 | 2 | 2 | 2 | 09-50004 | #8 Bulkhead w Nut | |
| 23 | 3 | 3 | 3 | 3 | 10-00058 | 5/8" Heater Hose | |
| 24 | 2 | 2 | 2 | 2 | 12-00801 | Wire Harness | 1 |
| 25 | 1 | 1 | 1 | 1 | 12-50420 | Face Plate - Heat/Cool | |
| 26 | 1 | 1 | 1 | 1 | 12-50739 | Faceplate | |
| 27 | 1 | 1 | 1 | 1 | 12-50741 | Face Plate - H/C Water Valve | |
| 28 | 1 | 1 | 1 | 1 | 40-00005 | TOP MOTOR MOUNT | |
| 29 | 1 | 1 | 1 | 1 | 50-50500 | Expansion Valve Mnt Brkt | |
| 30 | 1 | 1 | 1 | 1 | 80-00007 | Lid | |
| 31 | 1 | 1 | 1 | 1 | 80-00008 | Rear Housing | |
| 32 | 1 | 1 | 1 | 1 | 80-00015 | Blower Asm Plate | |
| 33 | 1 | 1 | 1 | 1 | 80-00017 | Intake Filter, 800,315 | |
| 34 | 1 | 1 | 1 | 1 | 82-20000 | 822 Side Cover | |
| 35 | 1 | 1 | 1 | 1 | 82-20001 | 822 Cover Plate | |
| 36 | 1 | 1 | 1 | 1 | 82-20002 | 822 Water Valve Brkt | |
| 37 | | | | | Note 1 | Not Shown | |