

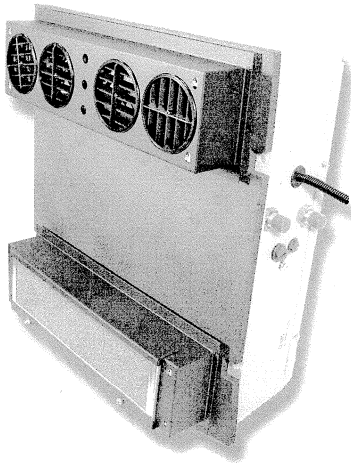


DTAC UNITS

DTAC NO. 901-12 12 VOLT

DTAC NO. 901-24 24 VOLT

Heat/Cool, Horizontal or Vertical Mount Unit



SPECIFICATIONS

BTU: 26,000 Cool
26,000 Heat

AIR FLOW: 405 CFM

HEIGHT: 7.75"

WIDTH: 20.50"

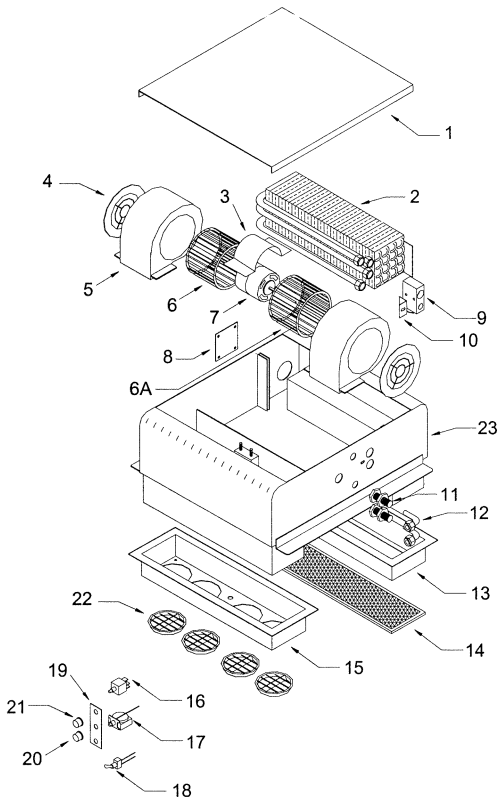
DEPTH: 20.25"

WEIGHT: 89 lbs.

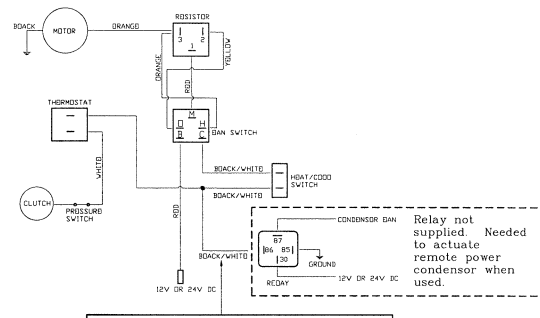
MOTOR: 1 - 12V or 24V

CURRENT DRAW:
12V - 22.5 AMPS @ 13.6 VDC
24V - 15 AMPS @ 26.8 VDC

ITEM	DTAC NO.	DESCRIPTION
1	90-10001	Evaporator Lid
2	07-00912	Evaporator Coil
3	40-00005	Motor Mount Strap
4	02-16059	Venturi (2)
5	02-16058	Blower Housing (2)
6	02-16400	Blower Wheel (CW)
6A	02-16039	Blower Wheel (CCW)
7	02-17018	Blower Motor 12V
	02-17118	Blower Motor 24V
8	90-10003	Cover Plate
9	04-15004	Block Expansion Valve
10	50-50500	Expansion Valve Bracket
11	09-50910	Bulkhead Fitting (2)
12	05-00301	Heater Fitting (2)
13	90-10005	Intake Plenum
14	90-10009	Intake Filter
15	90-10006	Blower Plenum
16	03-13006	Blower Switch
17	03-14002	Thermostat
18	03-13038	Heat/Cool Switch
19	12-50423	Switch Face Plate
20	03-00162	Thermostat Knob
21	03-00161	Fan Knob
22	03-16061	Louver (4)
23	90-10002	Bottom Housing
*	12-00801	Wiring Harness
*	03-13043	Resistor
*		NOT SHOWN



WIRING SCHEMATIC



NOTE: Use only to actuate relay when using remote power condenser (NOT A GROUND).