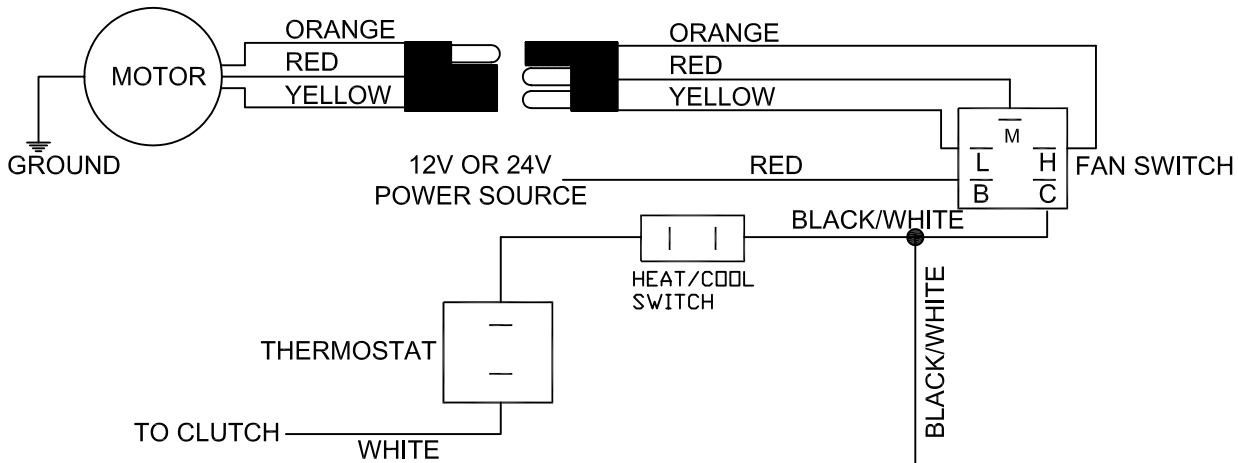




901-12/24, Evaporator Wiring Schematic



NOTE: Use only to actuate relay when using remote power condensor (NOT A GROUND).

Manufacturer of Heavy Equipment Heat/Cool Systems

5130 Edgefield Lane, Midlothian, TX 76065 USA

Phone 1-800-527-9477 Fax 1-800-299-5972

www.dtac.com