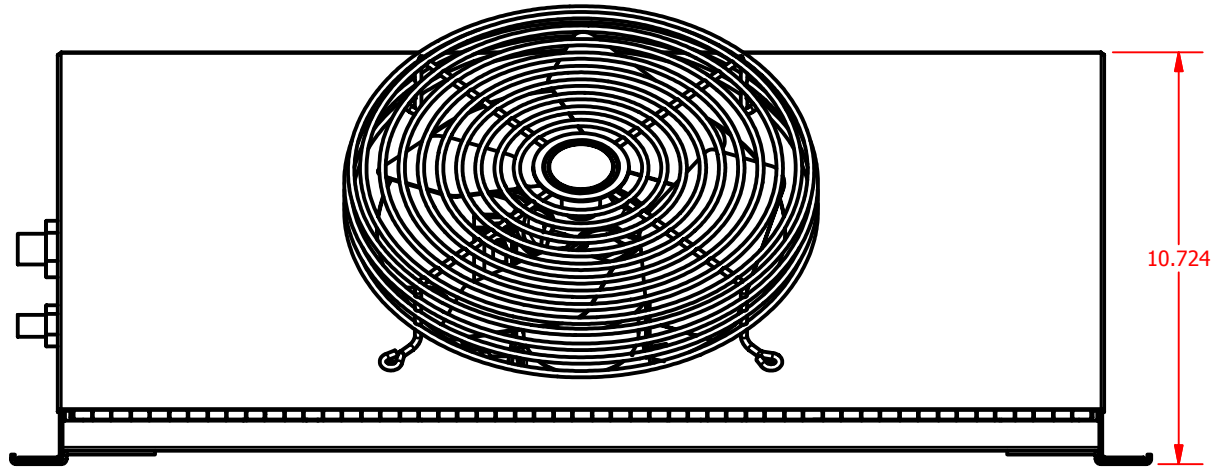
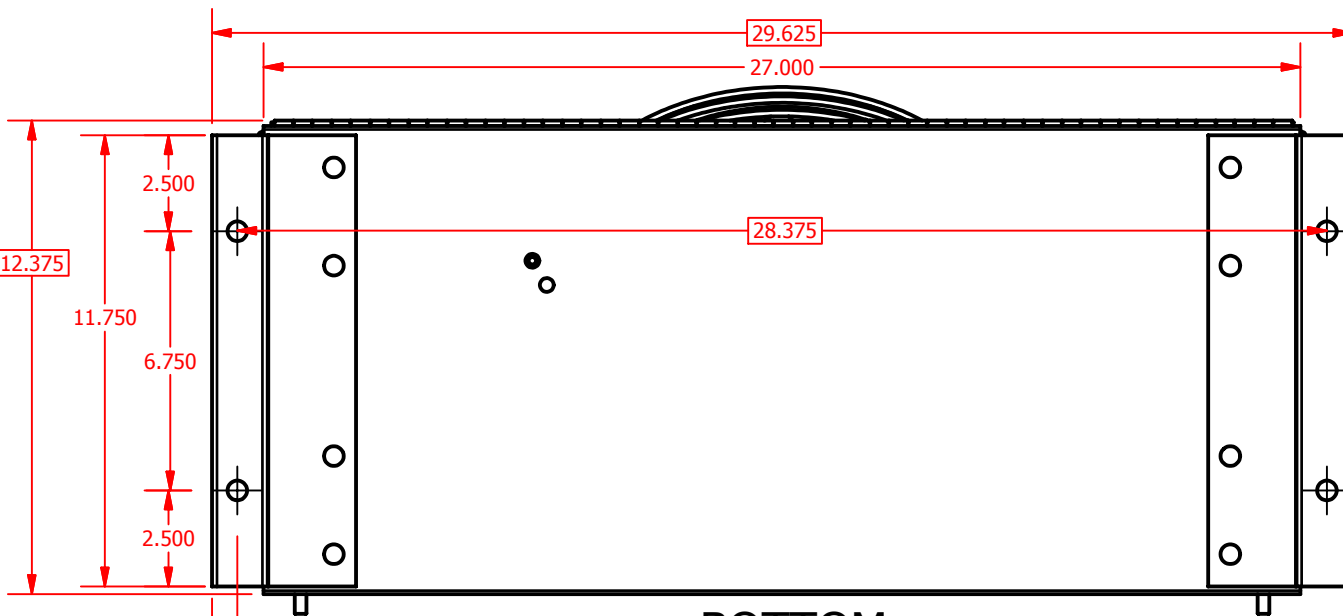


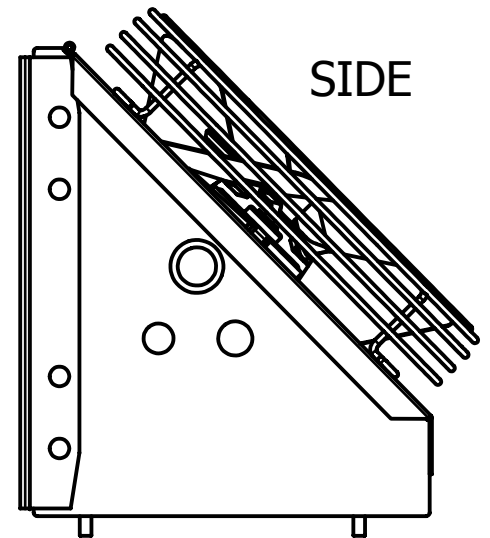
# 36001 & 36002 SERIES MOUNTING FOOTPRINT



FRONT



BOTTOM



SIDE

DRAWN	jshaw	10/12/2007	DTAC HEAVY EQUIPMENT HEAT/COOL SYSTEMS	
APPROVED	JSHAW	10/12/2007	TITLE	FOOTPRINT - 36001,36002
			DWG NO.	FOOTPRINT - 36001,36002.idw [V5]
			SIZE	A
			REV	