



DTAC UNITS

Cool Only, Floor, Under Dash, Ceiling Mount

141 Series



FEATURES

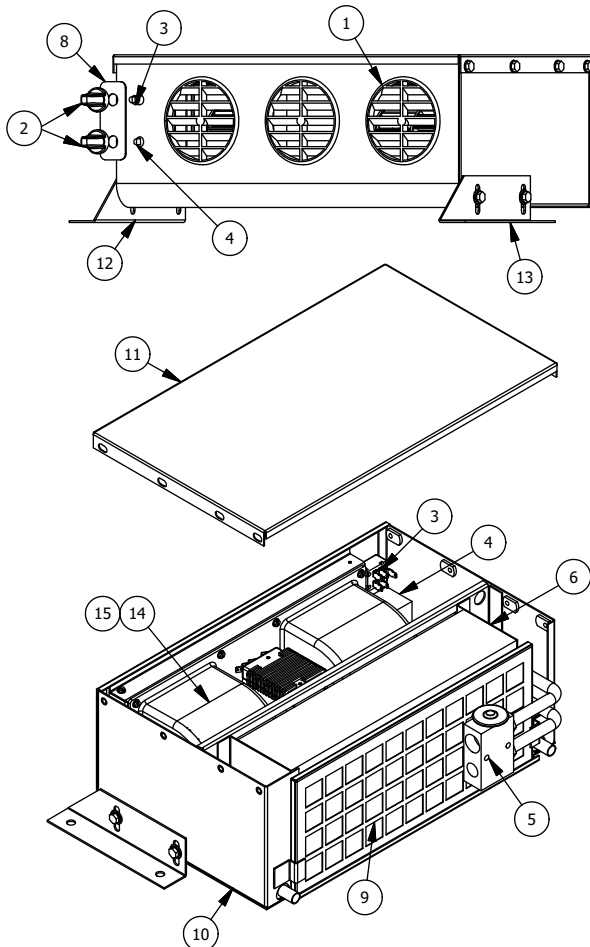
- Available 12 or 24 Volt
- Three Speed Blower Motor
- Adjustable Thermostat
- 3 - 3.5" Directional Round Louvers
- Removable, Washable Filter
- Steel Case
- Black Powder Coat Finish

OPTIONS

- ▶ Floor Mount Bracket -Order Part No. 14-10100

SPECIFICATIONS

UNIT NO.	BTU'S COOL	AIR FLOW	HEIGHT	WIDTH	DEPTH	WEIGHT	MOTOR	CURRENT DRAW
141-12	20,000	295 CFM	6.5"	17.25"	9.75"	24 LBS	1-12V	13 AMPS @ 13.5 VDC
141-24	20,000	295 CFM	6.5"	17.25"	9.75"	24 LBS	1-24V	8 AMPS @ 27 VDC



141 PARTS LIST

ITEM	QTY 12V	QTY 24V	DTAC NO.	DESCRIPTION	NOTE
1	3	3	02-16061	3-1/2" Louver	
2	2	2	03-00165	Knob	
3	1	1	03-13006	Rotary 3-Speed Switch	
4	1	1	03-14002	Rotary Thermostat	
5	1	1	04-15004	Block Expansion Valve	
6	1	1	07-00141	Evaporator Coil	
7	1	1	12-00026	Wire Harness	1
8	1	1	12-50419	Faceplate	
9	1	1	14-10000	141 Intake Filter	
10	1	1	14-10001	Bottom Housing	
11	1	1	14-10002	Lid	
12	1	1	14-10003	Mounting Brkt, Right	
13	1	1	14-10005	Mounting Brkt, Left	
14	1	0	30-51580	12V Blower Assembly	
15	0	1	30-51581	24V Blower Assembly	
16			NOTE 1	Not Shown	