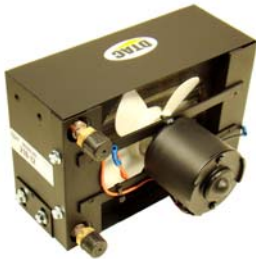


DTAC UNITS

Auxiliary Heater

210 & 211 Series



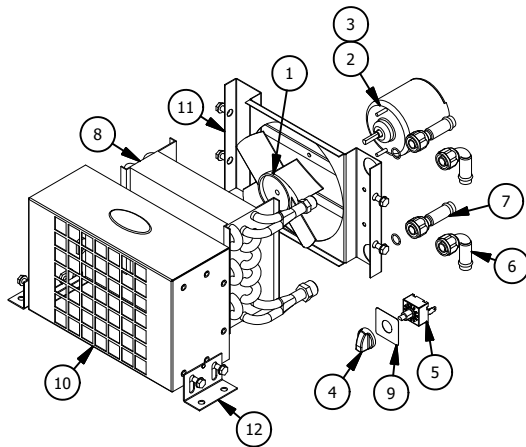
FEATURES

- Available 12 or 24 Volt
- Two Speed Blower
- Switch, Face Plate, Knob Included
- Steel Case
- Black Powder Coat Finish
- Fittings Supplied for Through Firewall or Through Floor Installation
- Duct Hose & Defrost Outlet Supplied (211 only)

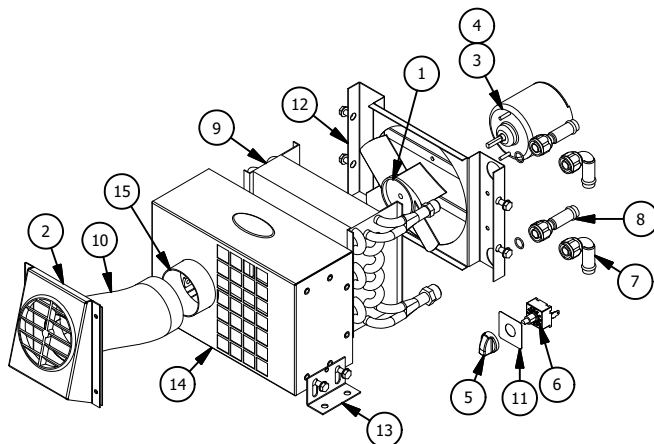


SPECIFICATIONS

UNIT NO.	BTU'S HEAT	AIR FLOW	HEIGHT	WIDTH	DEPTH	WEIGHT	MOTOR	CURRENT DRAW
210-12	16,000	150 CFM	6.50"	9.75"	7"	6.5 LBS	1-12V	6.6 AMPS @ 13.6 VDC
210-24	16,000	150 CFM	6.50"	9.75"	7"	6.5 LBS	1-24V	3.3 AMPS @ 26.8 VDC
211-12	16,000	150 CFM	6.50"	9.75"	7"	6.5 LBS	1-12V	6.6 AMPS @ 13.6 VDC
211-24	16,000	150 CFM	6.50"	9.75"	7"	6.5 LBS	1-24V	3.3 AMPS @ 26.8 VDC



210 PARTS LIST				
ITEM	QTY 12V	QTY 24V	DTAC NO.	DESCRIPTION
1	1	1	02-16004	FAN BLADE
2	1	0	02-17035	12V Motor
3	0	1	02-17135	24V Motor
4	1	1	03-00165	Knob
5	1	1	03-13003	Rotary 2-Speed Switch
6	2	2	05-00301	90 Degree Heater Fitting
7	2	2	05-50818	Heater Fitting
8	1	1	07-00210	Heater Coil
9	1	1	12-50422	Face Plate
10	1	1	21-00000	Housing
11	1	1	21-00001	Back Plate
12	2	2	21-00003	Heater Mounting Bracket



211 PARTS LIST				
ITEM	QTY 12V	QTY 24V	DTAC NO.	DESCRIPTION
1	1	1	02-16004	FAN BLADE
2	1	1	02-16069	Louver
3	1	0	02-17035	12V Motor
4	0	1	02-17135	24V Motor
5	1	1	03-00165	Knob
6	1	1	03-13003	Rotary 2-Speed Switch
7	2	2	05-00301	90 Degree Heater Fitting
8	2	2	05-50818	Heater Fitting
9	1	1	07-00210	Heater Coil
10	3'	3'	10-20026	2.5" Duct Hose
11	1	1	12-50422	Face Plate
12	1	1	21-00001	Back Plate
13	2	2	21-00003	Heater Mounting Bracket
14	1	1	21-00006	Housing
15	1	1	40-00877	2.5" Adapter



PREVENTATIVE MAINTENANCE

DTAC strives to manufacture A/C systems of superior quality. However, as with all mechanical equipment, normal maintenance must be performed for your A/C to function at peak capacity. A well-maintained A/C system will save on down time and premature component failures.

Weekly inspections or every 2 days in severe environments should include:

1. Inspect compressor clutch drive belts (tightness, wear).
2. Inspect compressor mounting brackets (bolts, alignment).
3. Inspect mounting hardware on evaporator unit and condensers.
4. Inspect air intake filter. (Clean or replace filter).
5. Inspect evaporator and condenser coils. (Clean using air pressure. **DO NOT USE WATER OR PRESSURE WASHERS**).
6. Inspect hose and wire harness for proper routing, leaks and wear.

Helpful Hints

Make sure the evaporator air intake area is not obstructed (i.e. toolboxes, clothing, lunch box, etc.).

Manual thermostats on our systems, when rotated clockwise to the stop position will not allow the A/C compressor clutch to cycle. The compressor will run continuously and the evaporator coil will not defrost. **REMEDY:** Turn the manual thermostat knob clockwise to the stop position, then turn the thermostat knob back counter clockwise $\frac{1}{4}$ turn.

DTAC thanks you for purchasing our units. It is our endeavor to provide you with a quality A/C unit with trouble free service.