

DTAC UNITS

Auxiliary Heater

217 Series



FEATURES

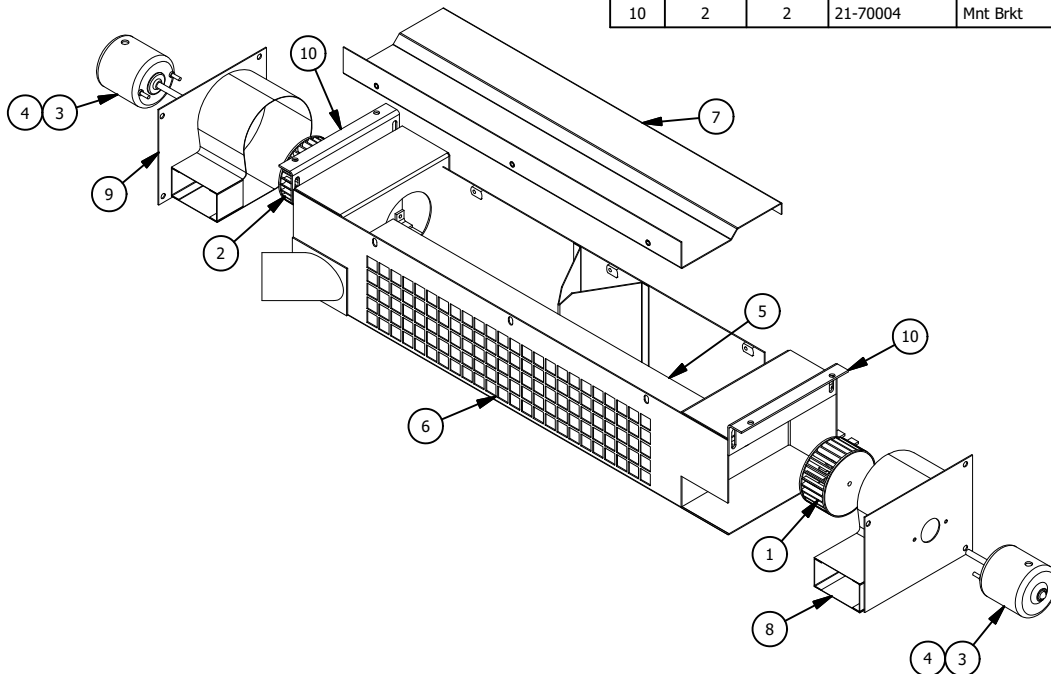
- Available 12 or 24 Volt
- Two, 3 Speed Blower Motors
- Steel Case
- Black Powder Coat Finish

SPECIFICATIONS

UNIT NO.	BTU'S HEAT	AIR FLOW	HEIGHT	WIDTH	DEPTH	WEIGHT	MOTOR	CURRENT DRAW
217-12	52,000	290 CFM	7"	39"	8"	30 LBS	2-12V	30 AMPS @ 13.5 VDC
217-24	52,000	290 CFM	7"	39"	8"	30 LBS	2-24V	15 AMPS @ 26.8 VDC

217 PARTS LIST

ITEM	QTY 12V	QTY 24V	DTAC NO.	DESCRIPTION
1	1	1	02-01034CCW	Blower Wheel
2	1	1	02-01034CW	Blower Wheel
3	2	0	02-18005	12V 3SP Single Shaft Motor
4	0	2	02-18105	24V 3SP Single Shaft Motor
5	1	1	07-00034	Heater Core
6	1	1	21-70000	Housing
7	1	1	21-70001	Cover
8	1	1	21-70002	Blwr Panel, Right
9	1	1	21-70003	Blwr Panel, Left
10	2	2	21-70004	Mnt Brkt





PREVENTATIVE MAINTENANCE

DTAC strives to manufacture A/C systems of superior quality. However, as with all mechanical equipment, normal maintenance must be performed for your A/C to function at peak capacity. A well-maintained A/C system will save on down time and premature component failures.

Weekly inspections or every 2 days in severe environments should include:

1. Inspect compressor clutch drive belts (tightness, wear).
2. Inspect compressor mounting brackets (bolts, alignment).
3. Inspect mounting hardware on evaporator unit and condensers.
4. Inspect air intake filter. (Clean or replace filter).
5. Inspect evaporator and condenser coils. (Clean using air pressure. **DO NOT USE WATER OR PRESSURE WASHERS**).
6. Inspect hose and wire harness for proper routing, leaks and wear.

Helpful Hints

Make sure the evaporator air intake area is not obstructed (i.e. toolboxes, clothing, lunch box, etc.).

Manual thermostats on our systems, when rotated clockwise to the stop position will not allow the A/C compressor clutch to cycle. The compressor will run continuously and the evaporator coil will not defrost. **REMEDY:** Turn the manual thermostat knob clockwise to the stop position, then turn the thermostat knob back counter clockwise $\frac{1}{4}$ turn.

DTAC thanks you for purchasing our units. It is our endeavor to provide you with a quality A/C unit with trouble free service.