

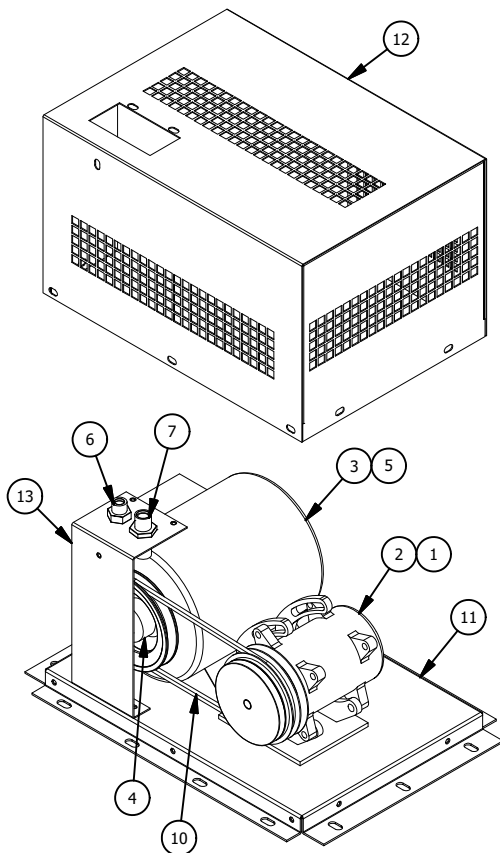
DTAC UNITS

Electric Driven Compressor Assemblies

220 Series



SPECIFICATIONS					
UNIT NO.	ELECTRIC MOTOR				COMPRESSOR
	HP	VOLTS	AMPS	Hz	CLUTCH VOLT
220-12	3	208-230/460	8.3-8.2/4.1	60	12V
220-24	3	208-230/460	8.3-8.2/4.1	60	24V
220-24SP	3	220/380/440	7.8/4.4/3.9	50	24V



220 PARTS LIST						
ITEM	220-12	220-24	220-24SP	DTAC NO.	DESCRIPTION	NOTE
1	1	1	1	01-05664	24V A/C Compressor	
2	1	1	1	01-05271	12V A/C Compressor	
3	1	1	0	02-04403	Electric Motor 380V AC 60hz	
4	1	1	1	02-04404	Pulley	
5	0	0	1	02-04406	Electric Motor 380V AC 50hz	
6	1	1	1	09-50004	#8 MIO Bulkhead w Jam Nut	
7	1	1	1	09-50005	#10 MIO Bulkhead w Jam Nut	
8	1	1	1	10-22008	#8 Hose Assembly	3
9	1	1	1	10-22010	#10 Hose Assembly	3
10	1	1	1	12-22036	Belt	
11	1	1	1	22-00000	Base	
12	1	1	1	22-00001	Cover	
13	1	1	1	22-00002	Bulkhead Plate	
14				Note 1	60hz Applications	
15				Note 2	50hz Applications	
16				Note 3	Not Shown	