



DTAC UNITS

Remote Mount Condenser

07-35002 Series

FEATURES

- Available 12 or 24 Volt
- Can Be Used as a Puller or Pusher Fan Condenser
- Two 9" High Capacity Fan Assemblies
- Can Be Mounted at Any Angle Imaginable:
 - Upright
 - Facing Down
 - Facing Up
- Gray Powder Coat Finish



SPECIFICATIONS

UNIT NO.	BTU'S COOL	AIR FLOW	HEIGHT	WIDTH	DEPTH	WEIGHT	MOTOR	CURRENT DRAW
07-35002-12	35,000	975 CFM	9.75"	26.5"	7.5"	27 LBS	1-12V	10.5 AMPS @ 13.6 VDC
07-35002-24	35,000	975 CFM	9.75"	26.5"	7.5"	27 LBS	1-24V	5.3 AMPS @ 26.8 VDC

07-35002 PARTS LIST

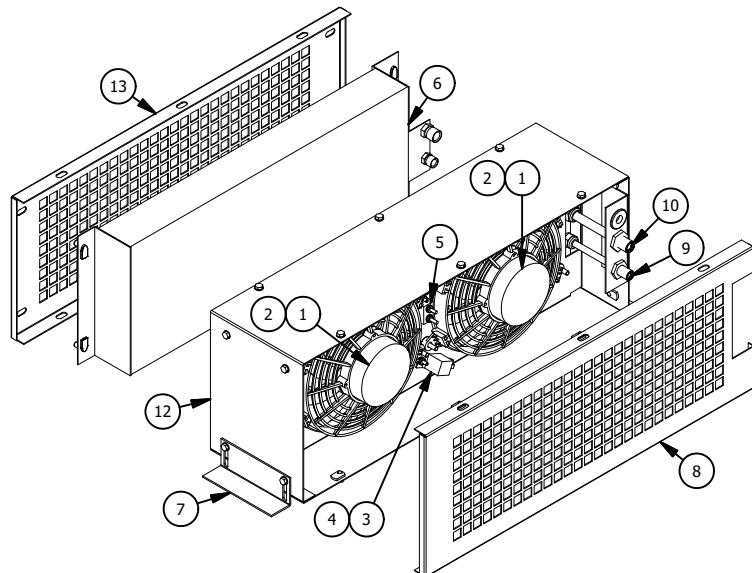
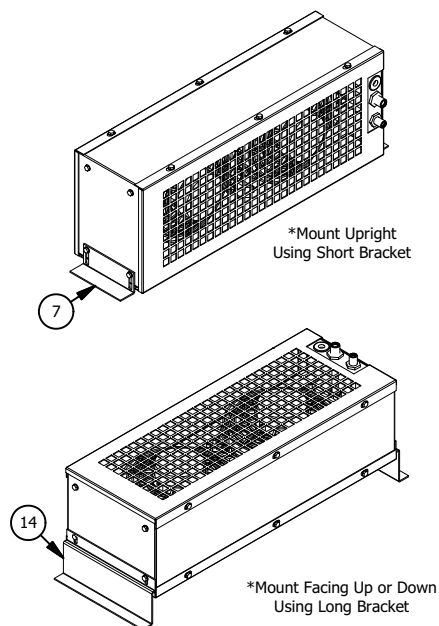
ITEM	QTY 12V	QTY 24V	DTAC NO.	DESCRIPTION	NOTE
1	2	0	02-4009S-12	9", 12V Fan Assembly	
2	0	2	02-4009S-24	9", 24V Fan Assembly	
3	1	0	03-01702	12V Relay	
4	0	1	03-01704	24V Relay	
5	1	1	03-13029	40A Circuit Breaker	
6	1	1	07-35001	07-35001	
7	2	2	07-35006	Short Mnt Brkt	
8	1	1	07-35009	Front Cover	
9	1	1	09-35001A	#6 Ext Fit. 35002	
10	1	1	09-35002A	#8 Ext Fit. 35002	
11	1	1	12-00095	Relay Plug Harness	1
12	1	1	35-35000	Cond. Case	
13	1	1	35-35001	Back Cover	
14	2	2	35-35002	Long Mnt Brkt	
15			Note 1	Not Shown	

External Wiring

Wire	Description
Bl\White	Condenser Fan Activator
Red	Power In

Internal Wiring of Condenser Relay

Relay Pin	Wire
30	Black from Fan Motor
87	Red to Aux. Side of Circuit Breaker
86	Bl/White Cond. Fan Activator
85	Blue from Fan Motor & Jumper to Ground





PREVENTATIVE MAINTENANCE

DTAC strives to manufacture A/C systems of superior quality. However, as with all mechanical equipment, normal maintenance must be performed for your A/C to function at peak capacity. A well-maintained A/C system will save on down time and premature component failures.

Weekly inspections or every 2 days in severe environments should include:

1. Inspect compressor clutch drive belts (tightness, wear).
2. Inspect compressor mounting brackets (bolts, alignment).
3. Inspect mounting hardware on evaporator unit and condensers.
4. Inspect air intake filter. (Clean or replace filter).
5. Inspect evaporator and condenser coils. (Clean using air pressure. **DO NOT USE WATER OR PRESSURE WASHERS**).
6. Inspect hose and wire harness for proper routing, leaks and wear.

Helpful Hints

Make sure the evaporator air intake area is not obstructed (i.e. toolboxes, clothing, lunch box, etc.).

Manual thermostats on our systems, when rotated clockwise to the stop position will not allow the A/C compressor clutch to cycle. The compressor will run continuously and the evaporator coil will not defrost. **REMEDY:** Turn the manual thermostat knob clockwise to the stop position, then turn the thermostat knob back counter clockwise $\frac{1}{4}$ turn.

DTAC thanks you for purchasing our units. It is our endeavor to provide you with a quality A/C unit with trouble free service.