

# DTAC UNITS

## Remote Mount Condenser

### 07-36001 Series

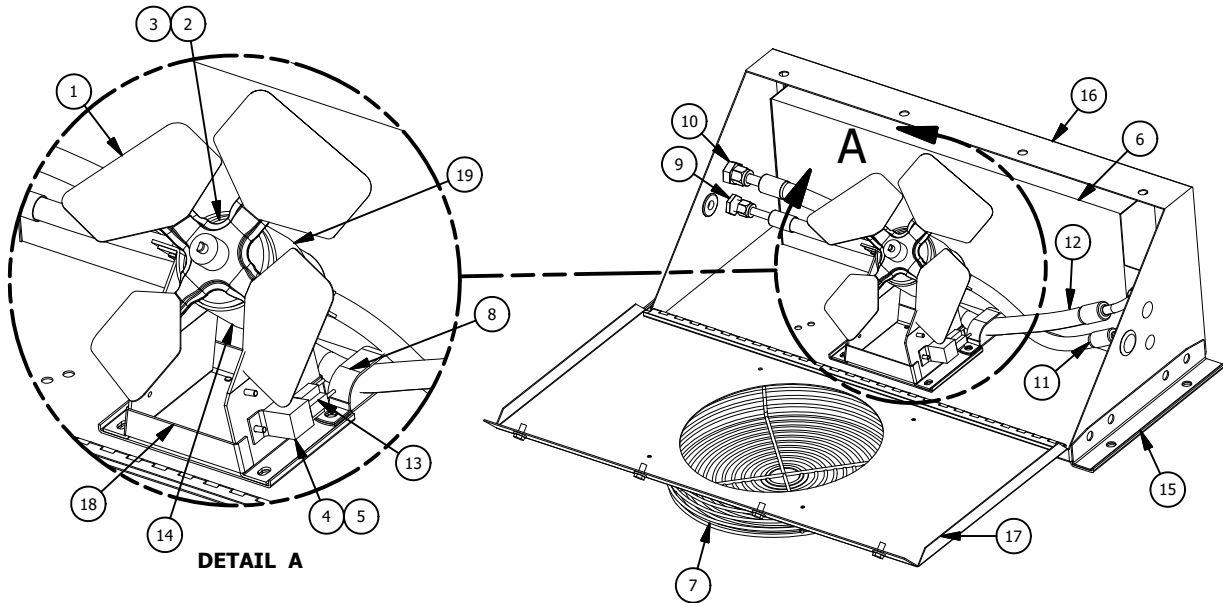


#### FEATURES

- Available 12 or 24 Volt
- Single Speed Motor
- One 10", 4 Blade
- Gray Powder Coat Finish

#### SPECIFICATIONS

UNIT NO.	BTU'S COOL	AIR FLOW	HEIGHT	WIDTH	DEPTH	WEIGHT	MOTOR	CURRENT DRAW
07-36001-12	33,000	740 CFM	10.5"	29.25"	12.25"	42 LBS	1-12V	12.6 AMPS @ 13.6 VDC
07-36001-24	33,000	740 CFM	10.5"	29.25"	12.25"	42 LBS	1-24V	6.4 AMPS @ 27.2 VDC



07-36001 PARTS LIST						07-36001 PARTS LIST					
ITEM	QTY 12V	QTY 24V	DTAC NO.	DESCRIPTION	NOTE	ITEM	QTY 12V	QTY 24V	DTAC NO.	DESCRIPTION	NOTE
1	1	1	02-16008	Fan Blade		11	1	1	10-36006	#6 Hose Assy.	
2	1	0	02-48005	12V Cond. Motor		12	1	1	10-36008	#8 Hose Assy.	
3	0	1	02-48105	24V Cond. Motor		13	1	1	12-00095	Wire Harness	
4	1	0	03-01702	12V Relay		14	1	1	12-00130	Motor Mount Brkt	
5	0	1	03-01704	24V Relay		15	2	2	36-36003	Mounting Brkt	
6	1	1	07-35001	07-35001		16	1	1	36-36004	Bottom Housing	
7	1	1	07-36008	Grille		17	1	1	36-36005	Lid 36000	
8	1	1	09-04004	Double Hose Clamp		18	1	1	36-36008	Motor Mount	
9	1	1	09-50003	#6 Bulkhead w Jam Nut		19	1	1	40-00005	Motor Mount Brkt	
10	1	1	09-50004	#8 Bulkhead w Jam Nut							



## PREVENTATIVE MAINTENANCE

DTAC strives to manufacture A/C systems of superior quality. However, as with all mechanical equipment, normal maintenance must be performed for your A/C to function at peak capacity. A well-maintained A/C system will save on down time and premature component failures.

**Weekly inspections or every 2 days in severe environments should include:**

1. Inspect compressor clutch drive belts (tightness, wear).
2. Inspect compressor mounting brackets (bolts, alignment).
3. Inspect mounting hardware on evaporator unit and condensers.
4. Inspect air intake filter. (Clean or replace filter).
5. Inspect evaporator and condenser coils. (Clean using air pressure. **DO NOT USE WATER OR PRESSURE WASHERS**).
6. Inspect hose and wire harness for proper routing, leaks and wear.

### Helpful Hints

Make sure the evaporator air intake area is not obstructed (i.e. toolboxes, clothing, lunch box, etc.).

Manual thermostats on our systems, when rotated clockwise to the stop position will not allow the A/C compressor clutch to cycle. The compressor will run continuously and the evaporator coil will not defrost. **REMEDY:** Turn the manual thermostat knob clockwise to the stop position, then turn the thermostat knob back counter clockwise  $\frac{1}{4}$  turn.

DTAC thanks you for purchasing our units. It is our endeavor to provide you with a quality A/C unit with trouble free service.