

DTAC UNITS

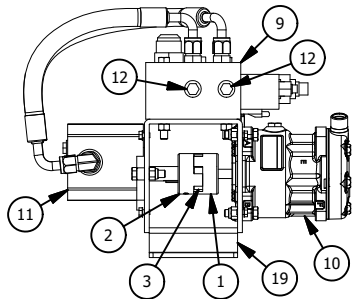
Hydraulic Compressor Assemblies Complete

01-49200 Series

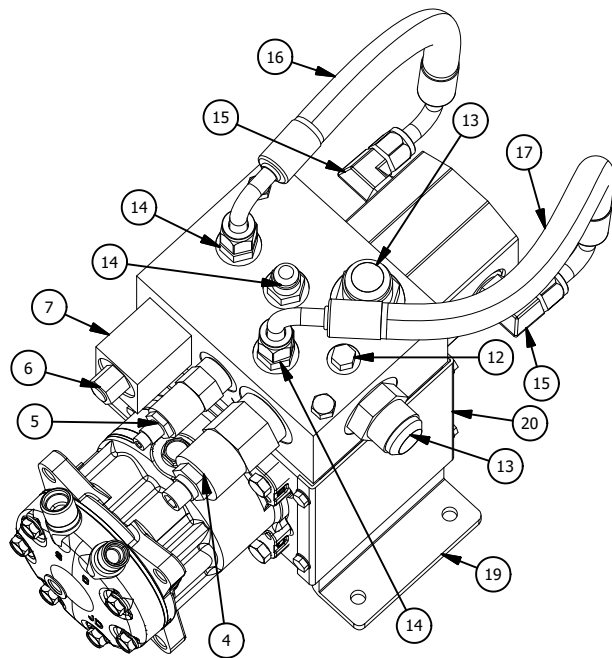


SPECIFICATIONS								
UNIT NO.	MINIMUM GPM	MAXIMUM GPM	OPERATING PSI	HEIGHT	WIDTH	LENGTH	WEIGHT	MOTOR
01-49212	5	40	1300	15"	14"	17.5"	42 LBS	1-12V
01-49224	5	40	1300	15"	14"	17.5"	42 LBS	1-24V

These dimensions include fluid flow control and solenoid valve completely plumbed to Sanden SD 508 compressor, hydraulic gear pump and mounting bracket.



View with Side Covers Removed



01-49200 SERIES PARTS LIST						01-49200 SERIES PARTS LIST					
ITEM	QTY 12V	QTY 24V	DTAC NO.	DESCRIPTION	NOTE	ITEM	QTY 12V	QTY 24V	DTAC NO.	DESCRIPTION	NOTE
1	1	1	01-10768	Coupler, Spec 7/16		12	3	3	09-200242	SAE #4 Ftg	
2	1	1	01-10770	Coupler 5/8 x 3/16		13	2	2	09-64001616	Hyd Fitting	
3	1	1	01-11070	NBR Spider Coupler		14	3	3	09-640088	Hyd Fitting	
4	1	1	01-49001	Pr. Flow Reg Cart		15	2	2	09-6801810	90 Deg Hyd Fit	
5	1	1	01-49002	Relief Vlv Cart		16	1	1	10-49000	Hyd Hose, Outlet	
6	1	1	01-49003	2 Way Vlv Cart.		17	1	1	10-49001	Hyd Hose, Inlet	
7	1	0	01-49012	12V Vickers Coil		18	1	1	12-00491	Wire Harness	1
8	0	1	01-49024	24V Vickers Coil		19	1	1	75-00003	Aluminum Hyd.Brkt	
9	1	1	01-49194	Hyd Manifold		20	2	2	75-00004	Cover Plate	
10	1	1	01-55093	Sanden w/o Clutch		21			Note 1	Not Shown	
11	1	1	02-40004	Hydraulic Motor							