



REMOTE CONDENSERS

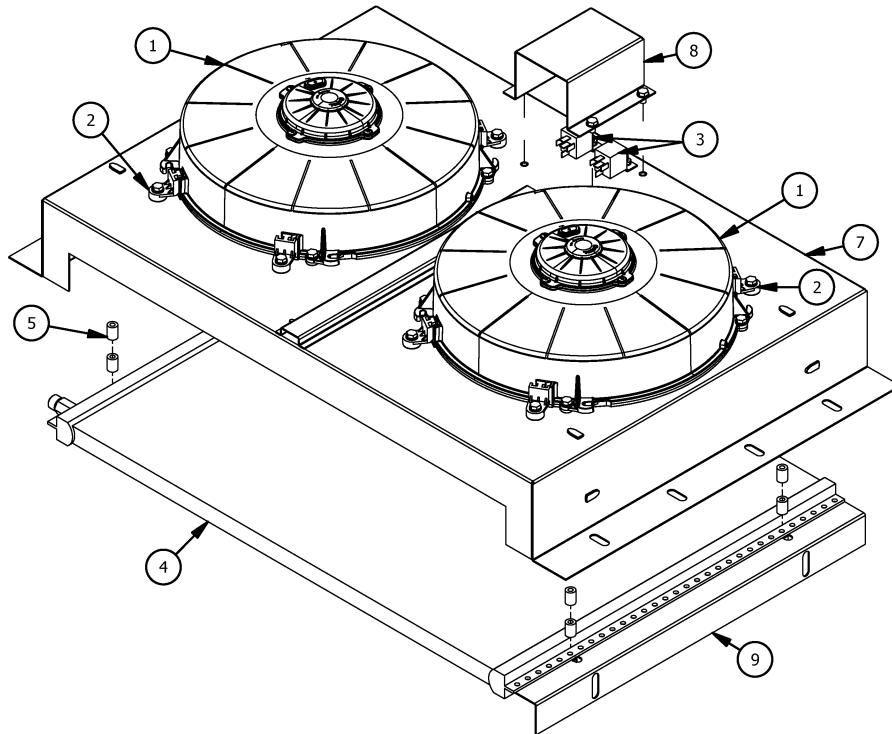
34006 Series

Remote Mount Condenser



FEATURES

- Dual 12" Low Profile Fans
- Water Resistant Motors
- Steel Case with Grey Powder Coat Finish



07-34006 SERIES PARTS LIST Rev.2					07-34006 SERIES PARTS LIST Rev.2				
ITEM	QTY	DTAC NO.	DESCRIPTION	NOTE	ITEM	QTY	DTAC NO.	DESCRIPTION	NOTE
1	2	02-4012S	12V 12" Fan Assembly		6	1	12-00346VER	Wire Harness	1
		02-4012S-24	24V 12" Fan Assembly		7	1	34-60000	Housing	
2	8	02-50025	Mount Leg		8	1	34-60001	Relay cover	
					3	2	03-01702	12V Relay	
			03-01704	24V Relay			10	Note 1	Part Not Shown
4	1	07-01466	Condenser						
5	8	12-00071	Spacer, 1/4" x 5/8"						

BTU'S COOL	AIR FLOW	HEIGHT	WIDTH	DEPTH	WEIGHT	MOTOR	CURRENT DRAW	DTAC NO.
40,000	1400 CFM	7.75"	30"	19.75"	36 LBS	2-12V	32.2 AMPS @ 13 VDC	07-34006-12
"	"	"	"	"	"	2-24V	18 AMPS @ 26.8 VDC	07-34006-24

REMOTE CONDENSERS