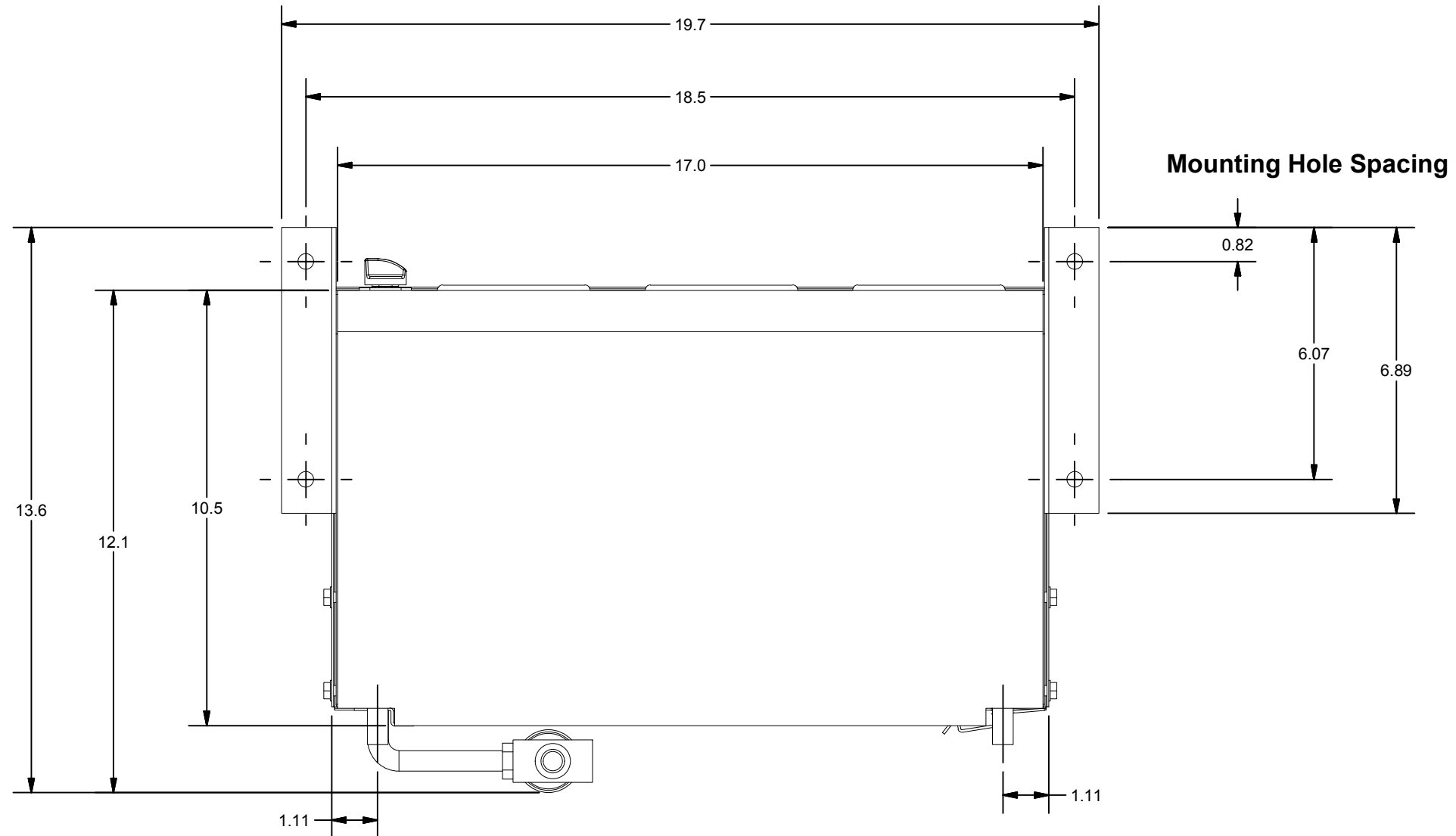
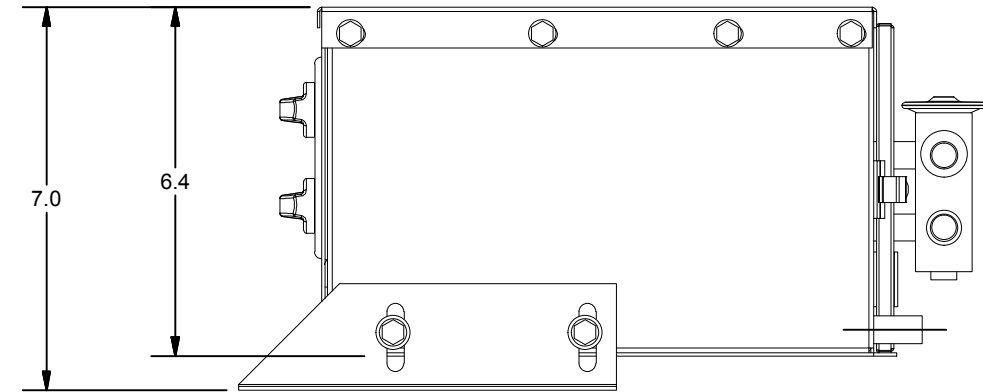
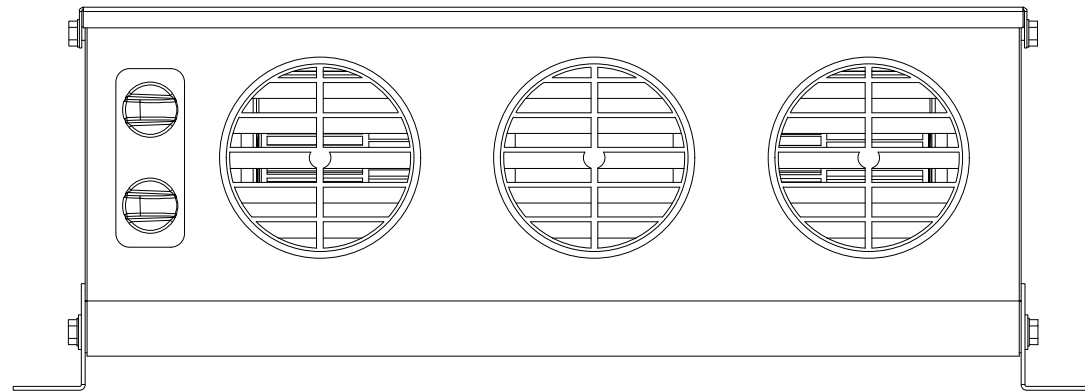


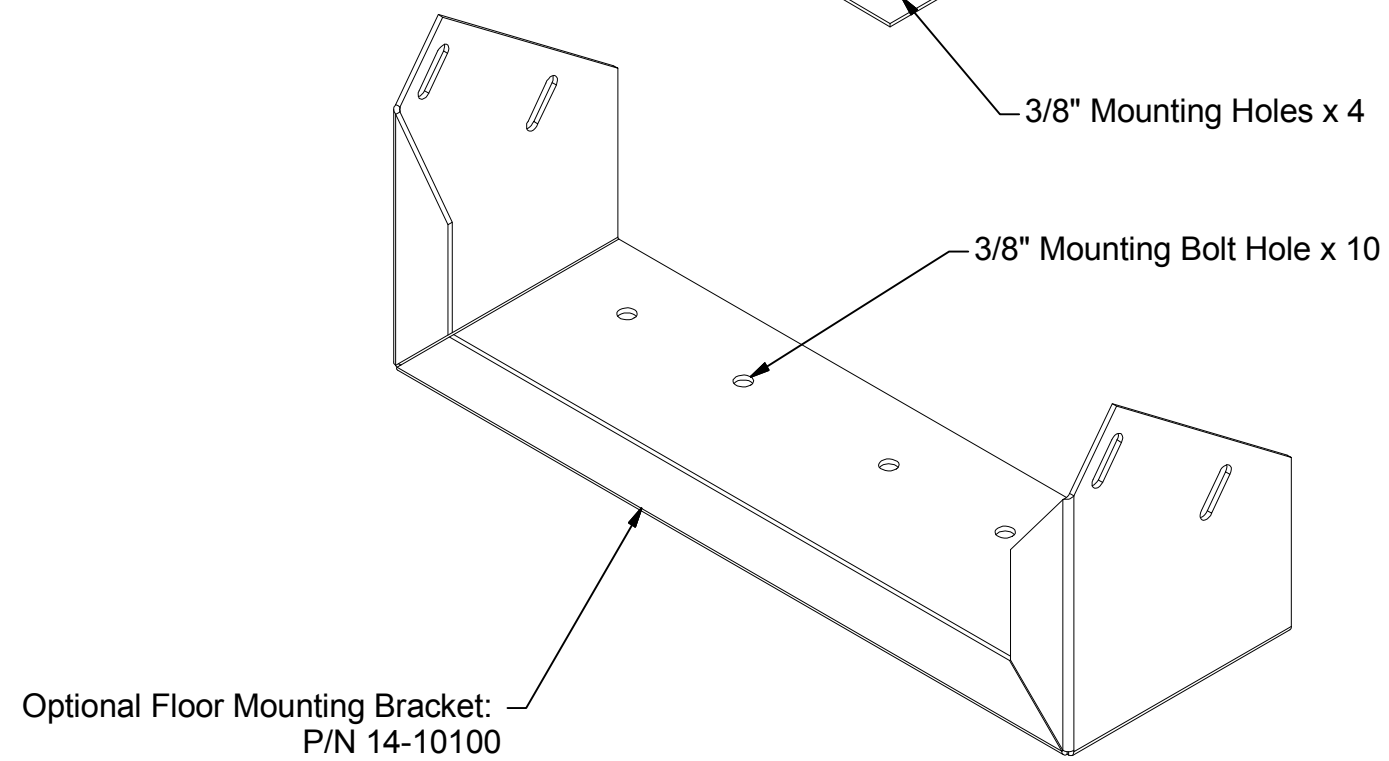
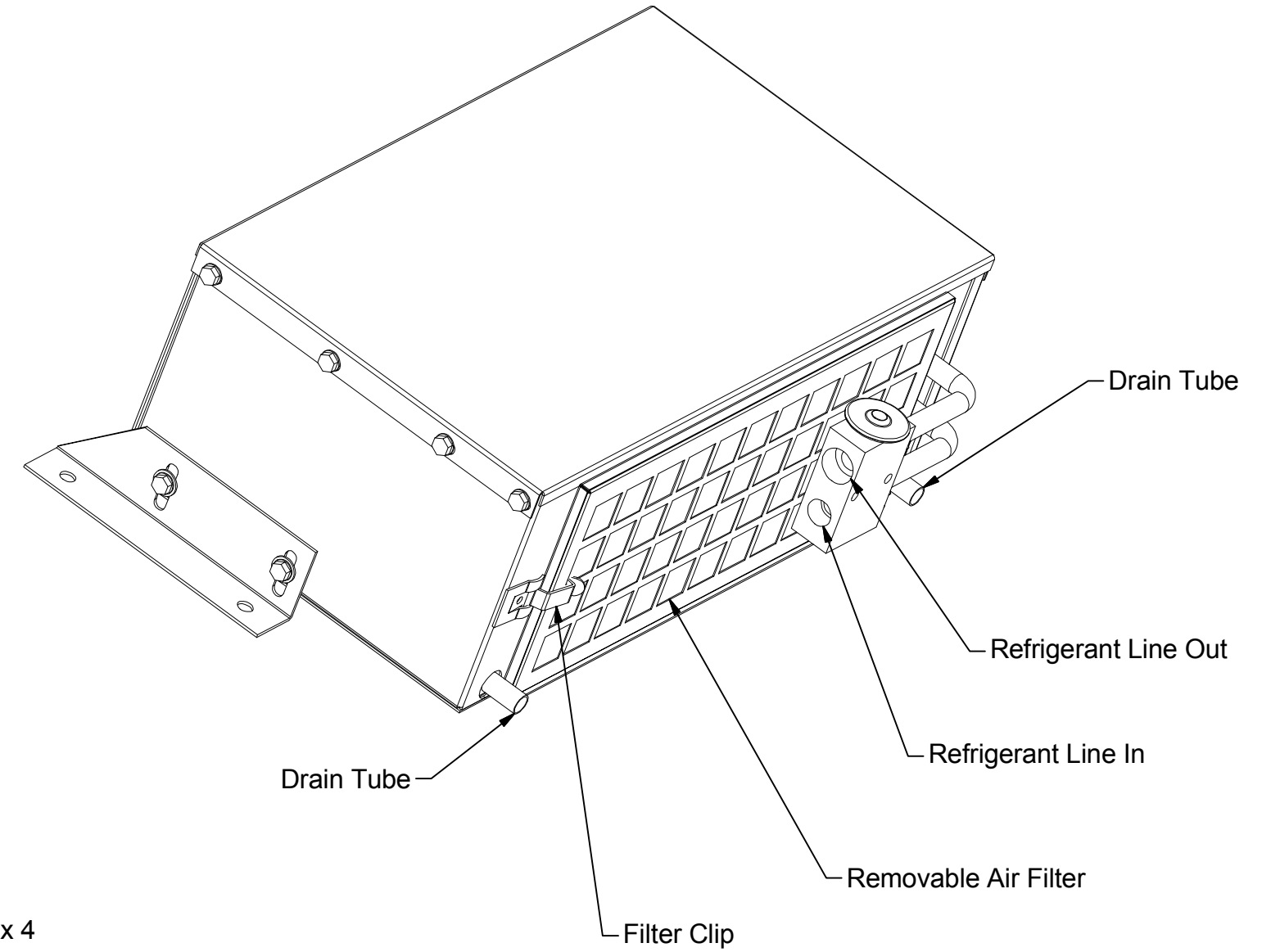
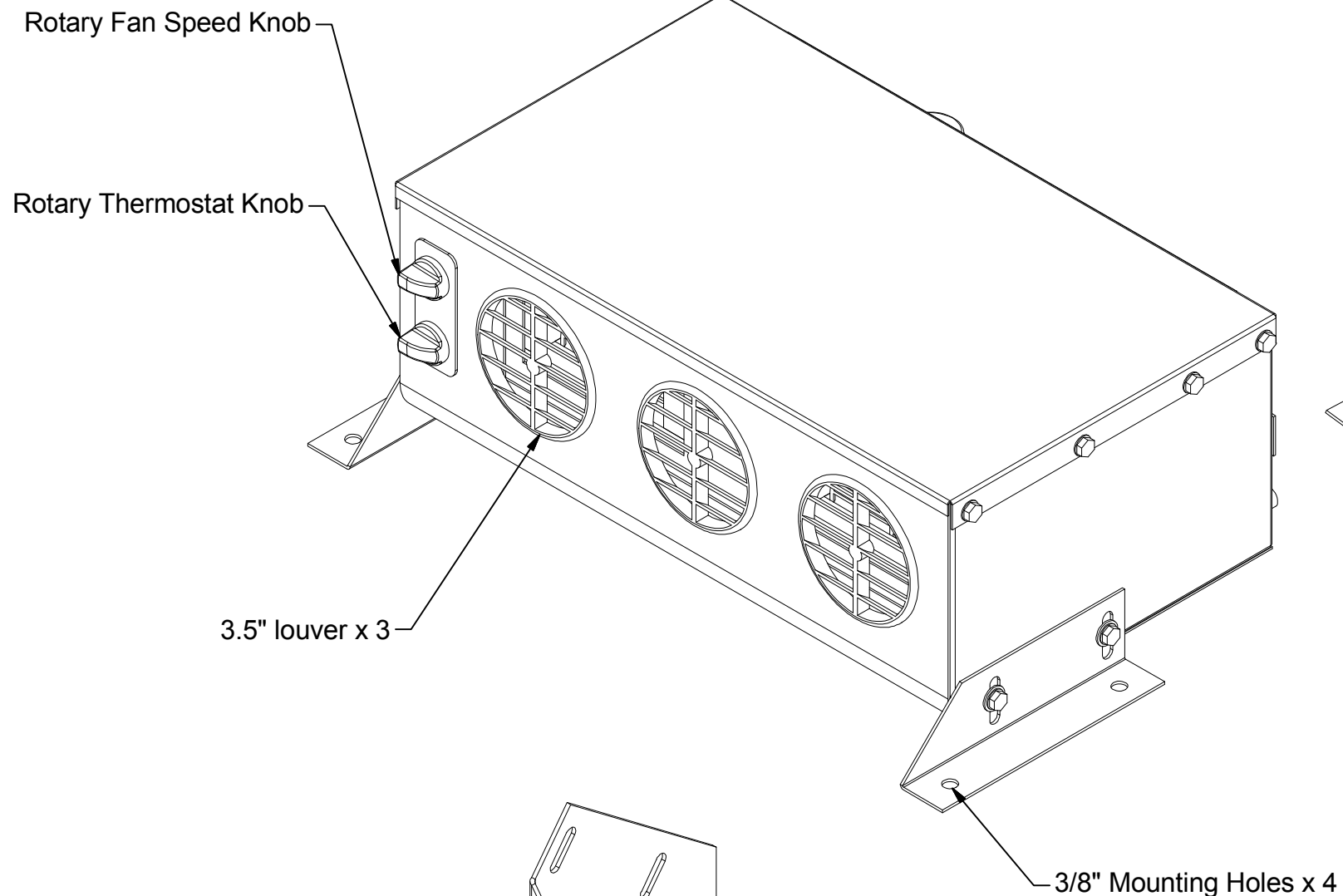
141 FOOTPRINT AND MOUNTING INFORMATION



Mounting Specifications	
Quantity	Description
4	3/8" DIA HOLE- NO THREADS

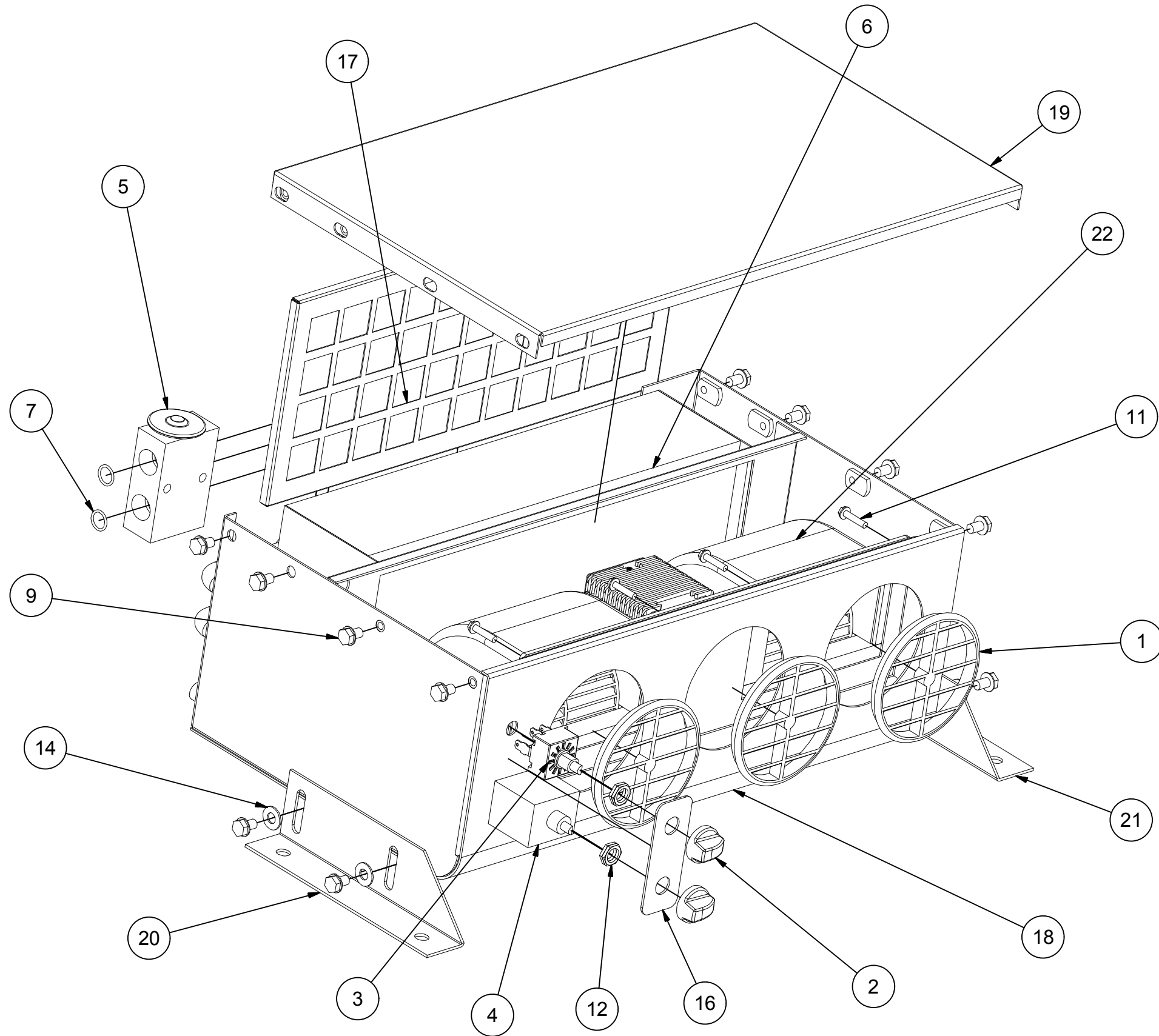
DTAC [®]		DTAC- HEAVY EQUIPMENT HEAT/COOL SYSTEMS	
		TITLE 141 FOOTPRINT AND MOUNTING INFORMATION	
MODELED JSHAW		DWG NAME 141 Drawings.idw	
DRAWN jhamaker	8/8/2011	SIZE B	NOTE: ALL UNITS IN INCHES

141 FEATURE SPECIFICATIONS



DTAC		DTAC- HEAVY EQUIPMENT HEAT/COOL SYSTEMS	
		TITLE 141 FEATURE SPECIFICATIONS	
MODELED JSHAW		DWG NAME 141 Drawings.idw	
DRAWN jhamaker	8/8/2011	SIZE B	NOTE: ALL UNITS IN INCHES
			SHEET 2 OF 4

141 PARTS BREAKDOWN AND UNIT SPECIFICATIONS

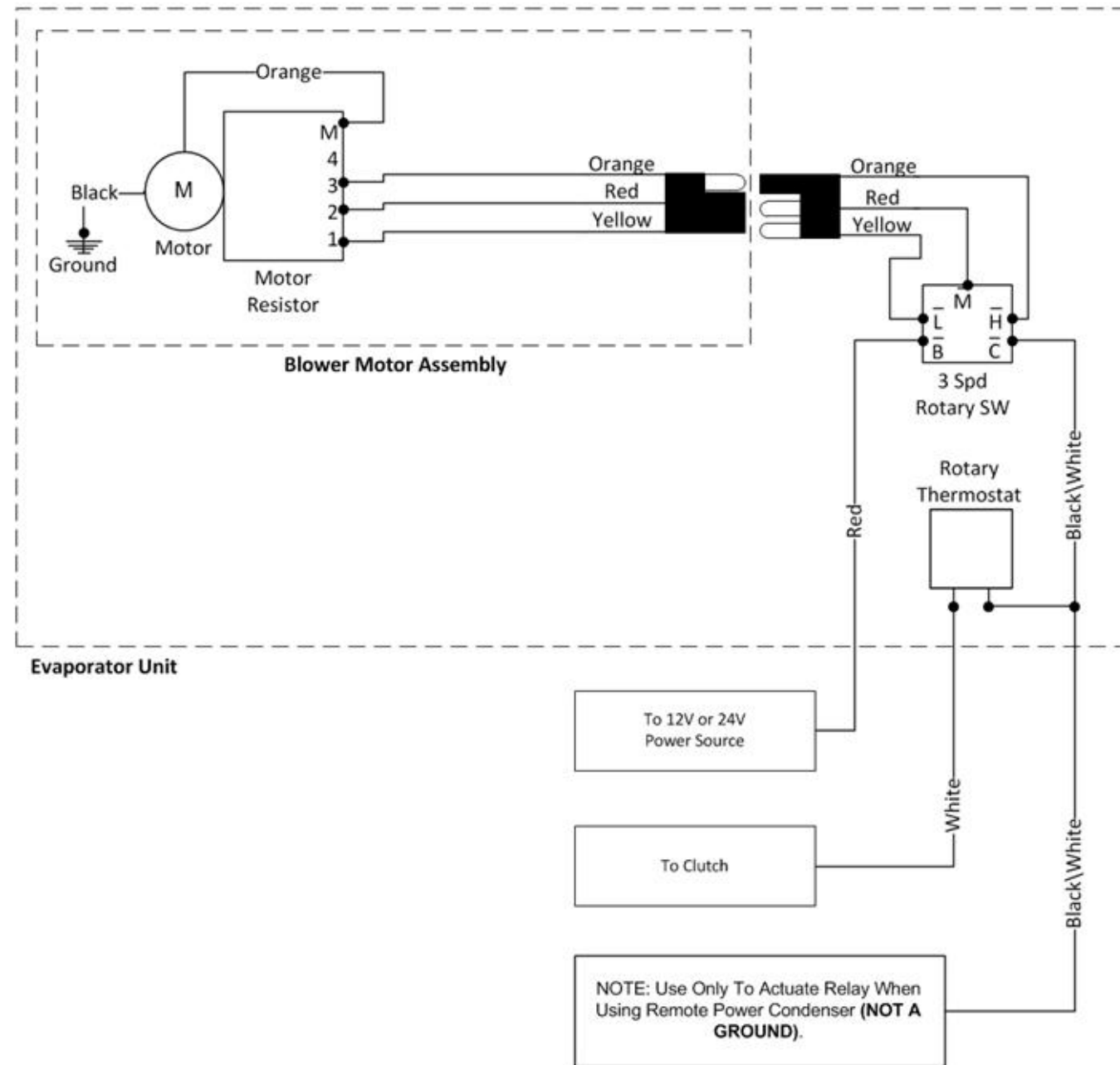


Parts Breakdown				
ITEM	QTY	DTAC NO.	DESCRIPTION	NOTE
1	3	02-16061	3-1/2" Louver	
2	2	03-00165	Knob	
3	1	03-13006	Rotary 3-Speed Switch	
4	1	03-14002	Rotary Thermostat	
5	1	04-15004	Block Expansion Valve	
6	1	07-00141	Evaporator Coil	
7	2	09-04012	#8 O-Ring	
8	2	10-20012	1/2" Drain Hose (2' Length)	1
9	12	12-00003	1/4-20 X 3/8 Bolt	
10	1	12-00026	Wiring Harness	1
11	5	12-00056	#8X3/4 Tap Screw	
12	4	12-00059	Standard Switch Nut	
13	1	12-00096	Raised DTAC Label	1
14	4	12-00109	1/4-20 Flatwasher	
15	2	12-00123	Copper Kazzoo	1
16	1	12-50419	Faceplate	
17	1	14-10000	141 Intake Filter	
18	1	14-10001A	Bottom Housing Rev	
19	1	14-10002	Lid	
20	1	14-10003	Mounting Bracket, Right	
21	1	14-10005	Mounting Bracket, Left	
22	1	30-51580 or 31-51581	12V Blower Assembly or 24V Blower Assembly	
-	-	Note 1	Part not shown	

UNIT SPECIFICATIONS						
BTU'S COOL	BTU'S HEAT	AIR FLOW	WEIGHT	MOTOR	CURRENT DRAW	DTAC NO.
20,000	-	295 CFM	24 LBS	1-12V	13 AMPS @ 13.5 VDC	141-12A
"	-	"	"	1-24V	8 AMPS @ 27 VDC	141-24A

DTAC [®]	DTAC- HEAVY EQUIPMENT HEAT/COOL SYSTEMS	
	TITLE 141 PARTS BREAKDOWN AND UNIT SPECIFICATIONS	
MODELED JSHAW	DWG NAME 141 Drawings.idw	
DRAWN jhamaker	8/8/2011	SIZE B
		NOTE: ALL UNITS IN INCHES
		SHEET 3 OF 4

141 Series Wire Diagram



Manufacturer of Heavy Equipment Heat/Cool Systems
 5130 Edgefield Ln, TX 76065 USA
 Phone 1-800-527-9477 Fax 1-800-299-5972
 www.dtac.com

12-00026
 07.27.09

SIZE
 B