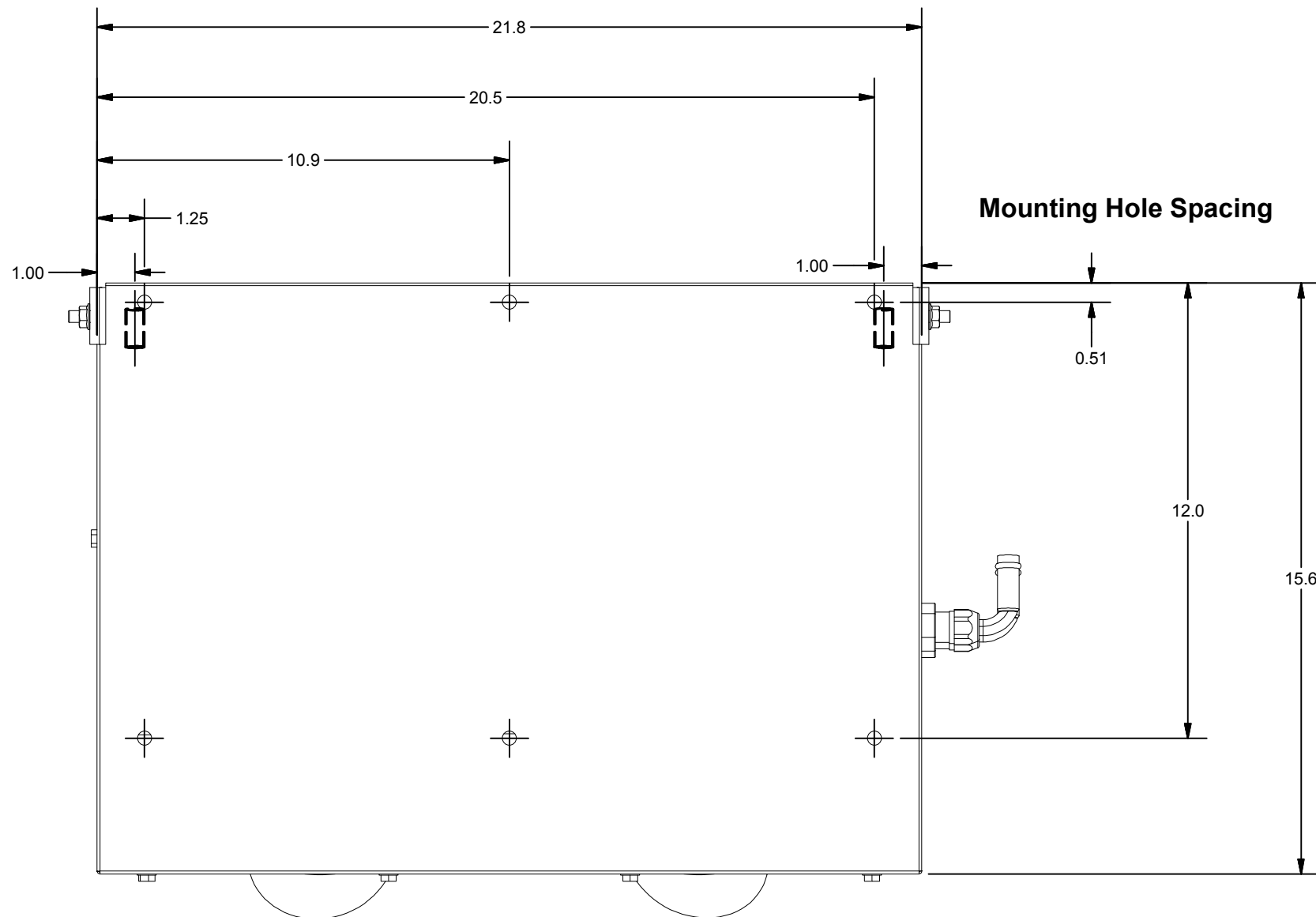
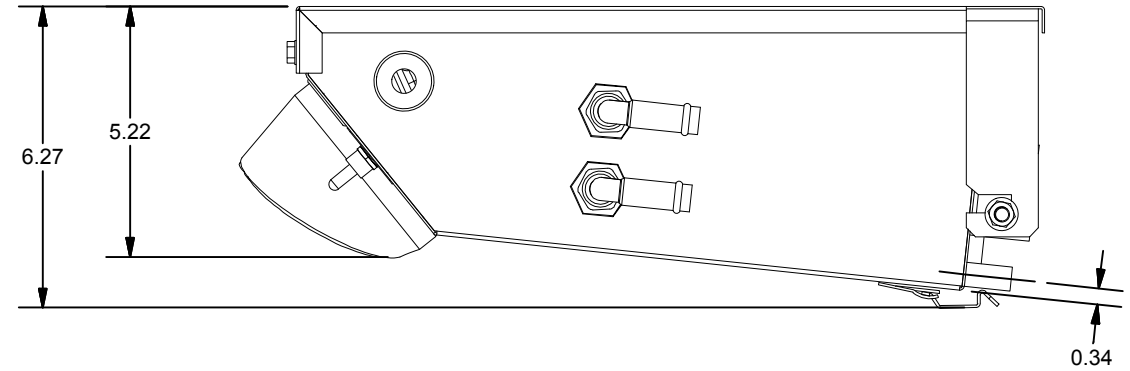
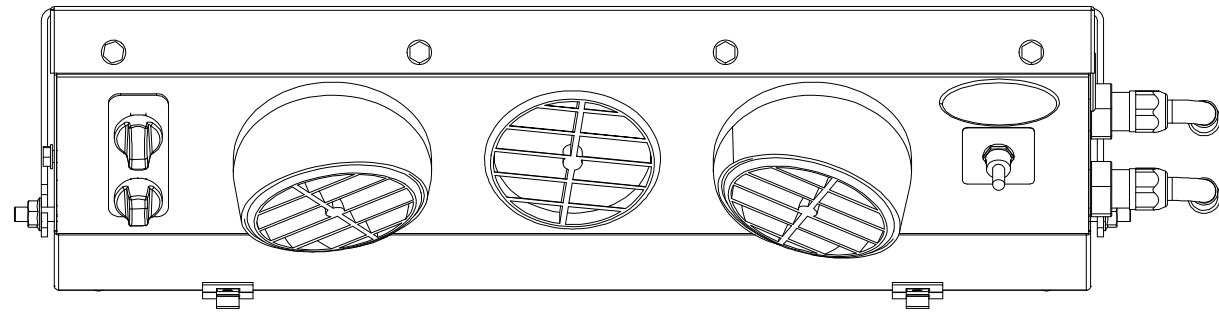



301-V FOOTPRINT AND MOUNTING INFORMATION

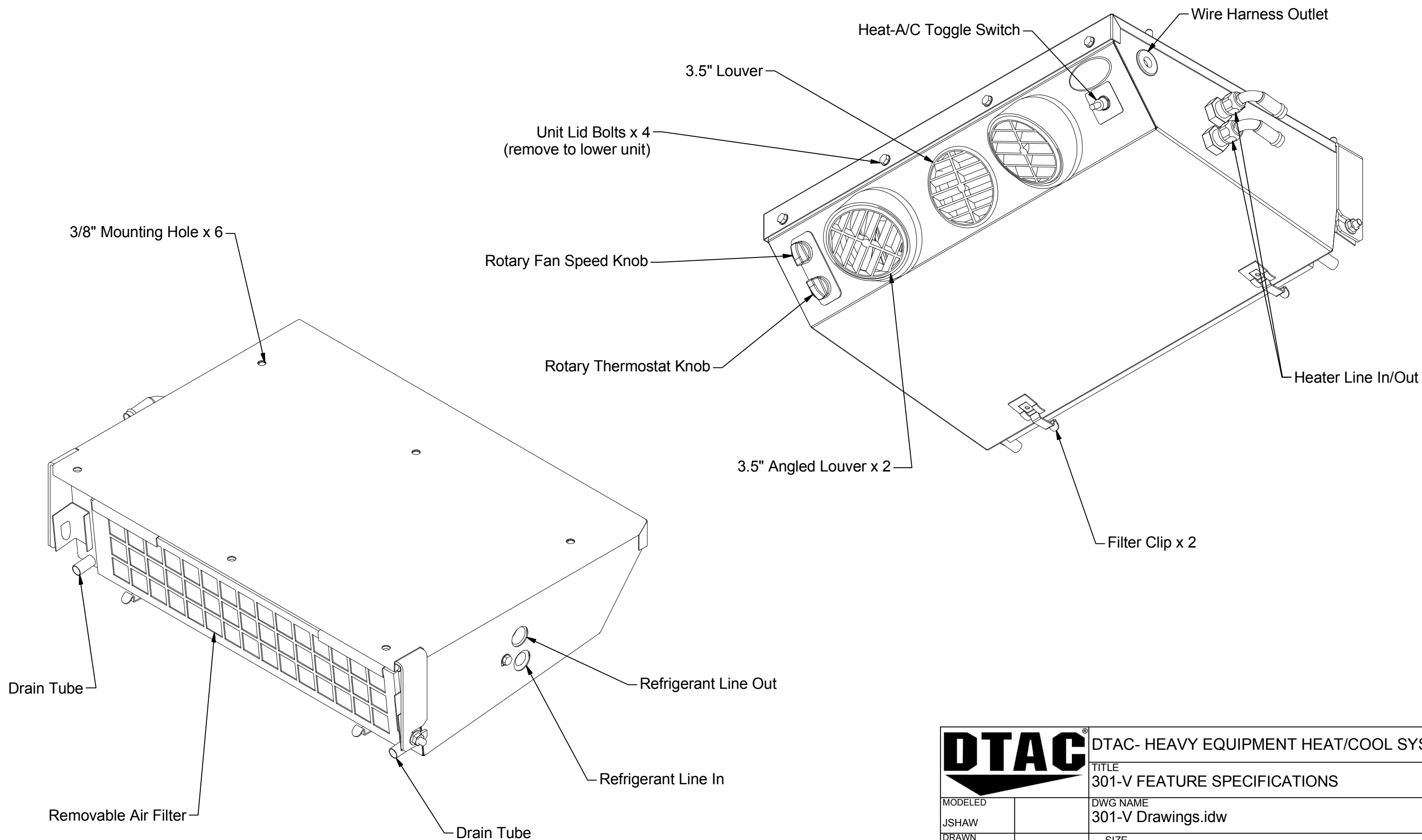


Mounting Hole Spacing

Mounting Specifications	
Quantity	Description
6	3/8" DIA HOLE- NO THREADS
6	5/16-18 X 1-1/2NCLC*HEX CAP TAP
6	5/16 WHIZ NUT

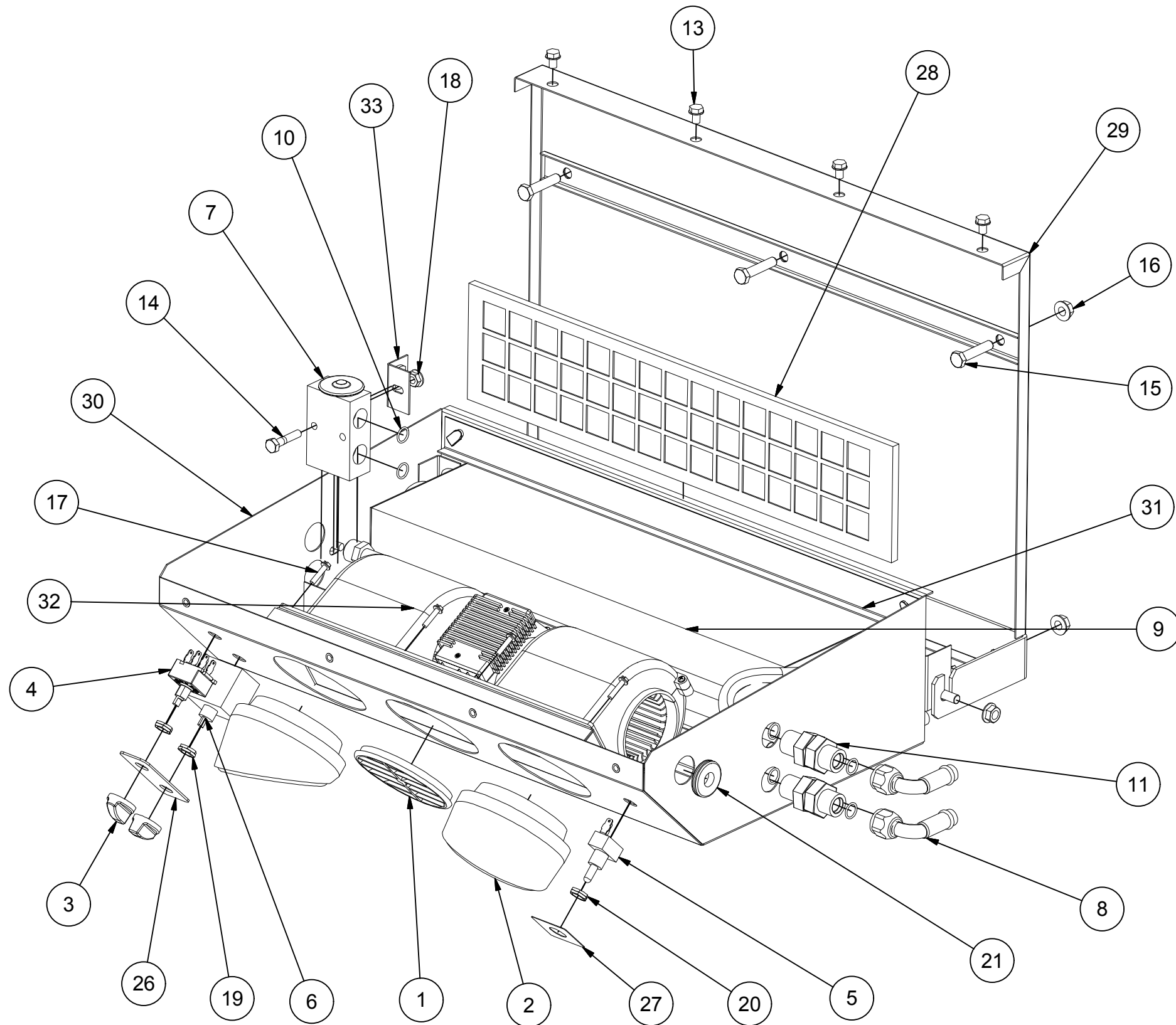
		DTAC- HEAVY EQUIPMENT HEAT/COOL SYSTEMS	
		TITLE 301-V FOOTPRINT AND MOUNTING INFORMATION	
MODELED JSHAW		DWG NAME 301-V Drawings.idw	
DRAWN jhamaker	8/4/2011	SIZE B	NOTE: ALL UNITS IN INCHES

301-V FEATURE SPECIFICATIONS



DTAC [®]		DTAC- HEAVY EQUIPMENT HEAT/COOL SYSTEMS	
		TITLE 301-V FEATURE SPECIFICATIONS	
MODELED JSHAW		DWG NAME 301-V Drawings.idw	
DRAWN jhamaker	8/4/2011	SIZE B	NOTE: ALL UNITS IN INCHES
			SHEET 2 OF 4

301-V PARTS BREAKDOWN AND UNIT SPECIFICATIONS



Parts Breakdown				
ITEM	QTY	DTAC NO.	DESCRIPTION	NOTE
1	1	02-16061	3-1/2" Louver	
2	2	02-16073	3.5" Angled Louver	
3	2	03-00165	Knob	
4	1	03-13006	Rotary 3-Speed Switch	
5	1	03-13020	Toggle Switch	
6	1	03-14002	Rotary Thermostat	
7	1	04-15004	Block Expansion Valve	
8	2	05-00301	90 Degree Heater Fitting	
9	1	07-00301	Evaporator Coil	
10	6	09-04012	#8 O-Ring	
11	2	09-50004	#8 MIO Bulkhead w Jam Nut	
12	15 ft	10-20012	Drain Hose	1
13	5	12-00003	1/4-20 X 3/8 Bolt	
14	1	12-00021	1/4-20 x 1.25 Hex Bolt	
15	6	12-00023	5/16-18 x 1.5 Hex Cap Bolt	
16	8	12-00054	Whz Nut 5/16-18	
17	5	12-00056	#8X3/4 Tap Screw	
18	3	12-00057	1/4-20 Whiz Nut	
19	4	12-00059	Standard Switch Nut	
20	2	12-00060	Heat/Cool Switch Nut	
21	1	12-00116	One Inch Grommet	
22	2	12-00123	Copper Kazzoo	1
23	1	12-00301	Wire Harness	1
24	1	12-01874	1/2" Plastic Tee	1
25	1	12-01875	1/2" Plastic Elbow	1
26	1	12-50419	Faceplate	
27	1	12-50420	Face Plate - Heat/Cool	
28	1	30-50253	Intake Filter, 18.875 x 4.25	
29	1	30-51284	Lid	
30	1	30-51285	Housing	
31	1	30-51286	Coil Hold Brkt	
32	1	30-51580 or 30-51581	12V Blower Assembly or 24V Blower Assembly	
33	1	50-50500	Expansion Valve Mnt Brkt	
-	-	Note 1	Part not shown	

UNIT SPECIFICATIONS

BTU'S COOL	BTU'S HEAT	AIR FLOW	WEIGHT	MOTOR	CURRENT DRAW	DTAC NO.
20,200	16,600	295 CFM	24 LBS	1-12V	13 AMPS @ 13.5 VDC	301-12V
"	"	"	"	1-24V	8 AMPS @ 27 VDC	301-24V



DTAC- HEAVY EQUIPMENT HEAT/COOL SYSTEMS

TITLE
301-V PARTS BREAKDOWN AND UNIT SPECIFICATIONS

MODELED

JSHAW

DRAWN

jhamaker

DWG NAME
301-V Drawings.idw

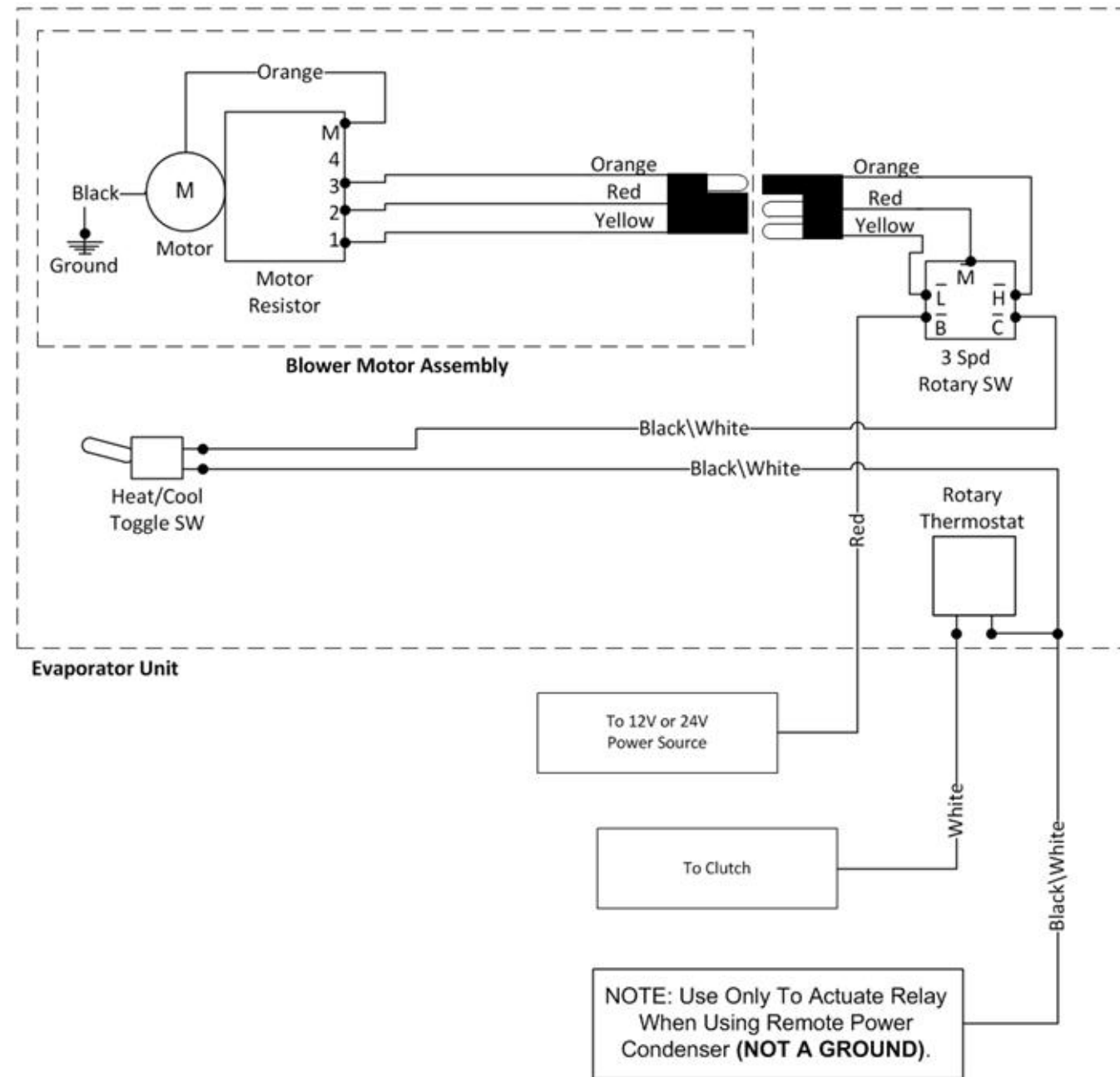
SIZE

B

NOTE: ALL UNITS IN INCHES

SHEET 3 OF 4

301 Series Wire Diagram



Manufacturer of Heavy Equipment Heat/Cool Systems
 5130 Edgefield Ln, TX 76065 USA
 Phone 1-800-527-9477 Fax 1-800-299-5972
 www.dtac.com

12-00301
 03.13.10

SIZE
 B