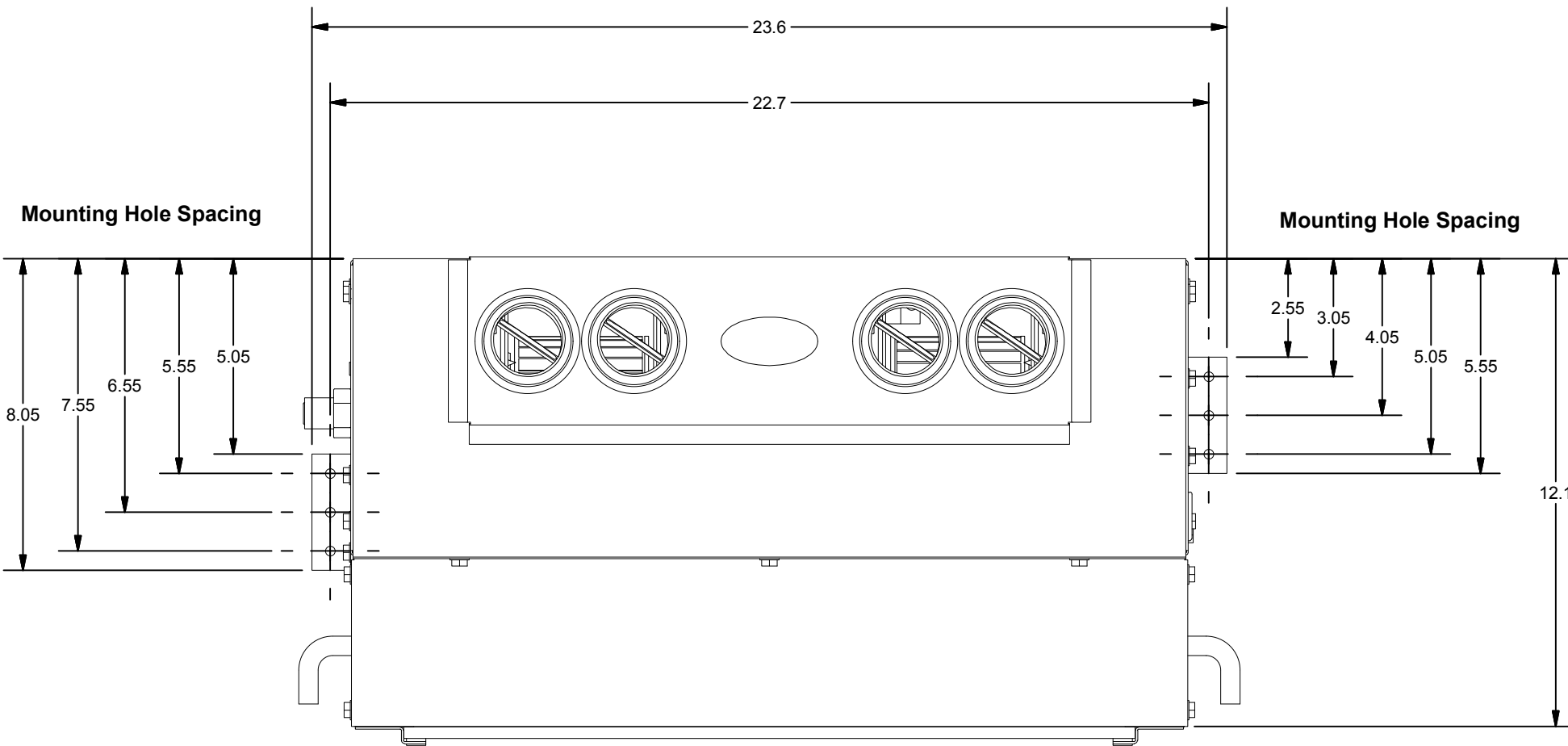
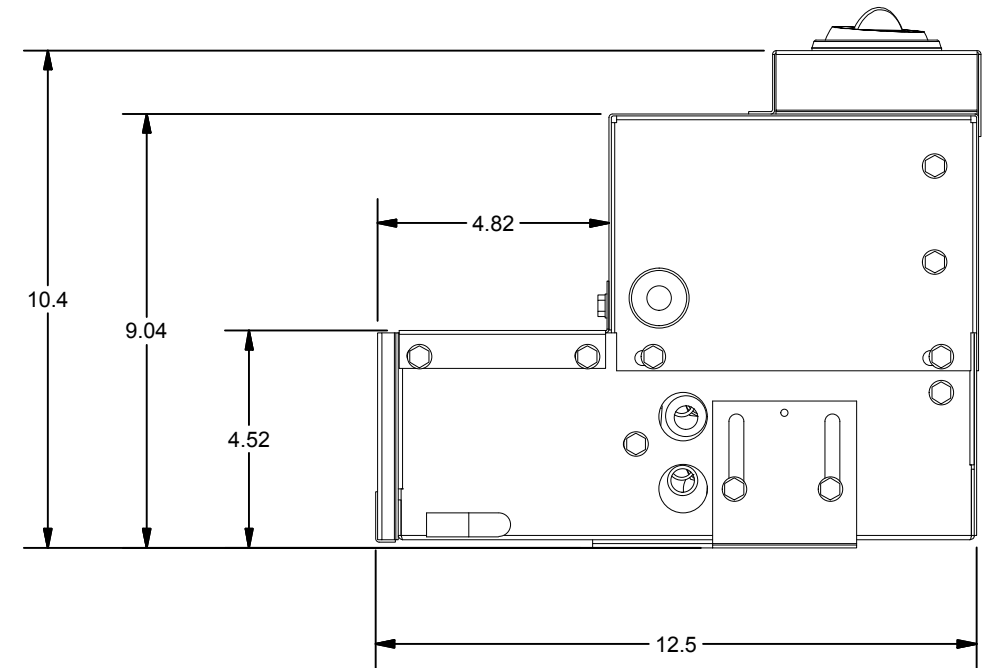
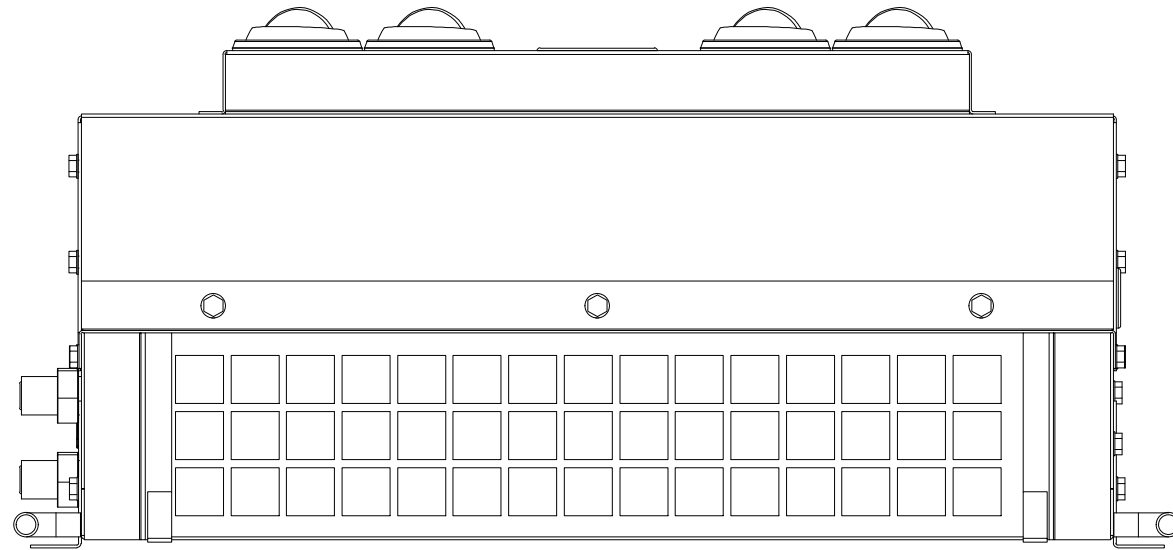



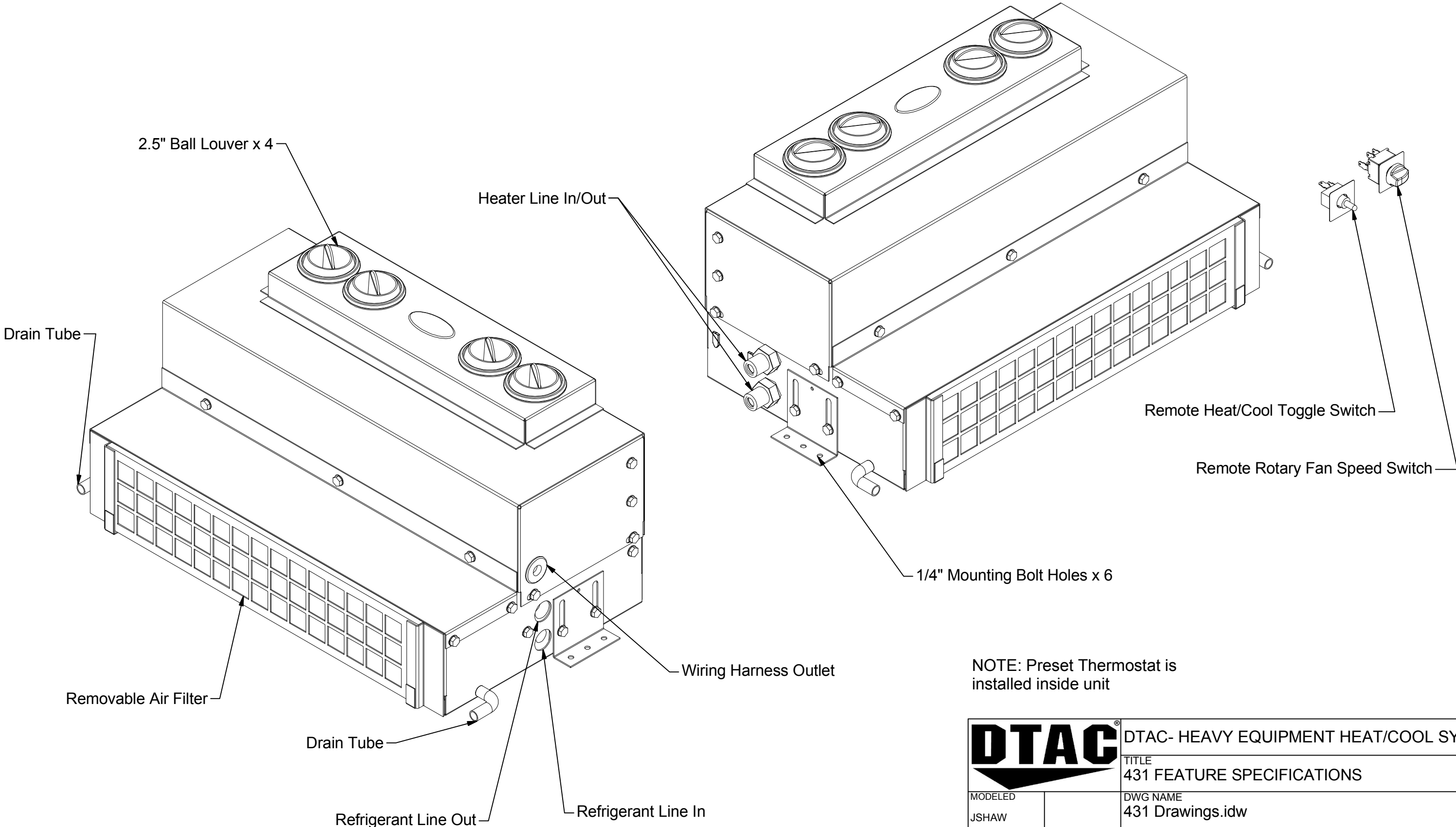
431 FOOTPRINT AND MOUNTING INFORMATION



Mounting Specifications	
Quantity	Description
6	1/4" DIA HOLE- NO THREADS

		DTAC- HEAVY EQUIPMENT HEAT/COOL SYSTEMS	
		TITLE 431 FOOTPRINT AND MOUNTING INFORMATION	
MODELED JSHAW		DWG NAME 431 Drawings.idw	
DRAWN jhamaker	8/4/2011	SIZE B	NOTE: ALL UNITS IN INCHES

431 FEATURE SPECIFICATIONS



2.5" Ball Louver x 4

Heater Line In/Out

Drain Tube

Remote Heat/Cool Toggle Switch

Remote Rotary Fan Speed Switch

1/4" Mounting Bolt Holes x 6

Wiring Harness Outlet

NOTE: Preset Thermostat is installed inside unit

Removable Air Filter

Drain Tube

Refrigerant Line Out

Refrigerant Line In

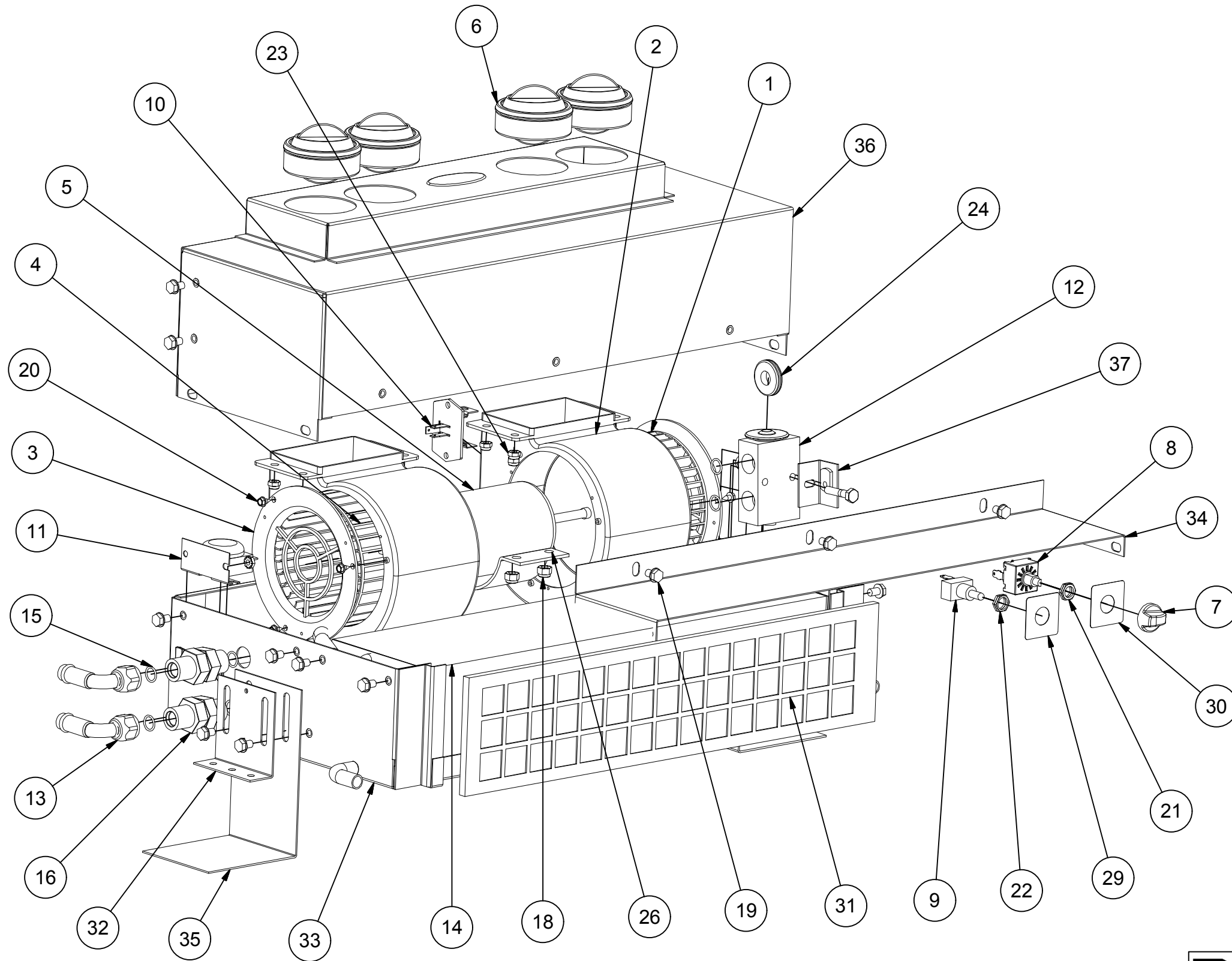


DTAC- HEAVY EQUIPMENT HEAT/COOL SYSTEMS
 TITLE
 431 FEATURE SPECIFICATIONS

MODELED
 JSHAW
 DRAWN
 jhamaker

DWG NAME
 431 Drawings.idw
 SIZE
 B
 NOTE: ALL UNITS IN INCHES
 SHEET 2 OF 4

431 PARTS BREAKDOWN AND UNIT SPECIFICATIONS



Parts Breakdown				
ITEM	QTY	DTAC NO.	DESCRIPTION	NOTE
1	1	02-16039	Blower Wheel CCW 701	
2	2	02-16058	Blower Housing	
3	2	02-16059	Venturi for Blower Housing	
4	1	02-16400	Blower Wheel CW 701	
5	1	02-17018 or 02-17118	12V DS 1SP Motor or 24V DS 1SP Motor	
6	4	02-50169	2.5" Ball Louver	
7	1	03-00165	Knob	
8	1	03-13006	Rotary 3-Speed Switch	
9	1	03-13020	Toggle Switch	
10	1	03-13043	Resistor 3 Prong	
11	1	03-14013	Preset Thermostat	
12	1	04-15004	Block Expansion Valve	
13	2	05-00301	90 Degree Heater Fitting	
14	1	07-00301	Evaporator Coil	
15	6	09-04012	#8 O-Ring	
16	2	09-50004	#8 MIO Bulkhead w Jam Nut	
17	4 ft	10-20012	1/2" Drain Hose	1
18	4	12-00001	1/4 - 20 Nylon Nut	
19	21	12-00003	1/4-20 X 3/8 Bolt	
20	6	12-00024	#8 x 3/8 Hex Screw	
21	2	12-00059	Standard Switch Nut	
22	2	12-00060	Heat/Cool Switch Nut	
23	9	12-00061	10-24 Nylock Nut	
24	1	12-00116	One Inch Grommet	
25	2	12-00123	Copper Kazzoo	1
26	1	12-00130	Top Motor Mount	
27	1	12-00400	Wire Harness	1
28	2	12-01875	1/2" Plastic Elbow	1
29	1	12-50420	Face Plate - Heat/Cool	
30	1	12-50421	Face Plate - Air Increase	
31	1	30-50253	Intake Filter, 18.875 x 4.25	
32	2	40-00004	Mounting Leg	
33	1	43-00001	Bottom Housing	
34	1	43-00003	Coil Lid	
35	2	43-00006	Long Mount Brkt	
36	1	43-10000	Blower Lid	
37	1	50-50500	Expansion Valve Mnt Brkt	
-	-	Note 1	Part not shown	

UNIT SPECIFICATIONS						
BTU'S COOL	BTU'S HEAT	AIR FLOW	WEIGHT	MOTOR	CURRENT DRAW	DTAC NO.
20,200	16,000	395 CFM	34 LBS	1-12V	22.5 AMPS @ 13.6 VDC	431-12
"	"	"	"	1-24V	15 AMPS @ 27 VDC	431-24



DTAC- HEAVY EQUIPMENT HEAT/COOL SYSTEMS

TITLE
431 PARTS BREAKDOWN AND UNIT SPECIFICATIONS

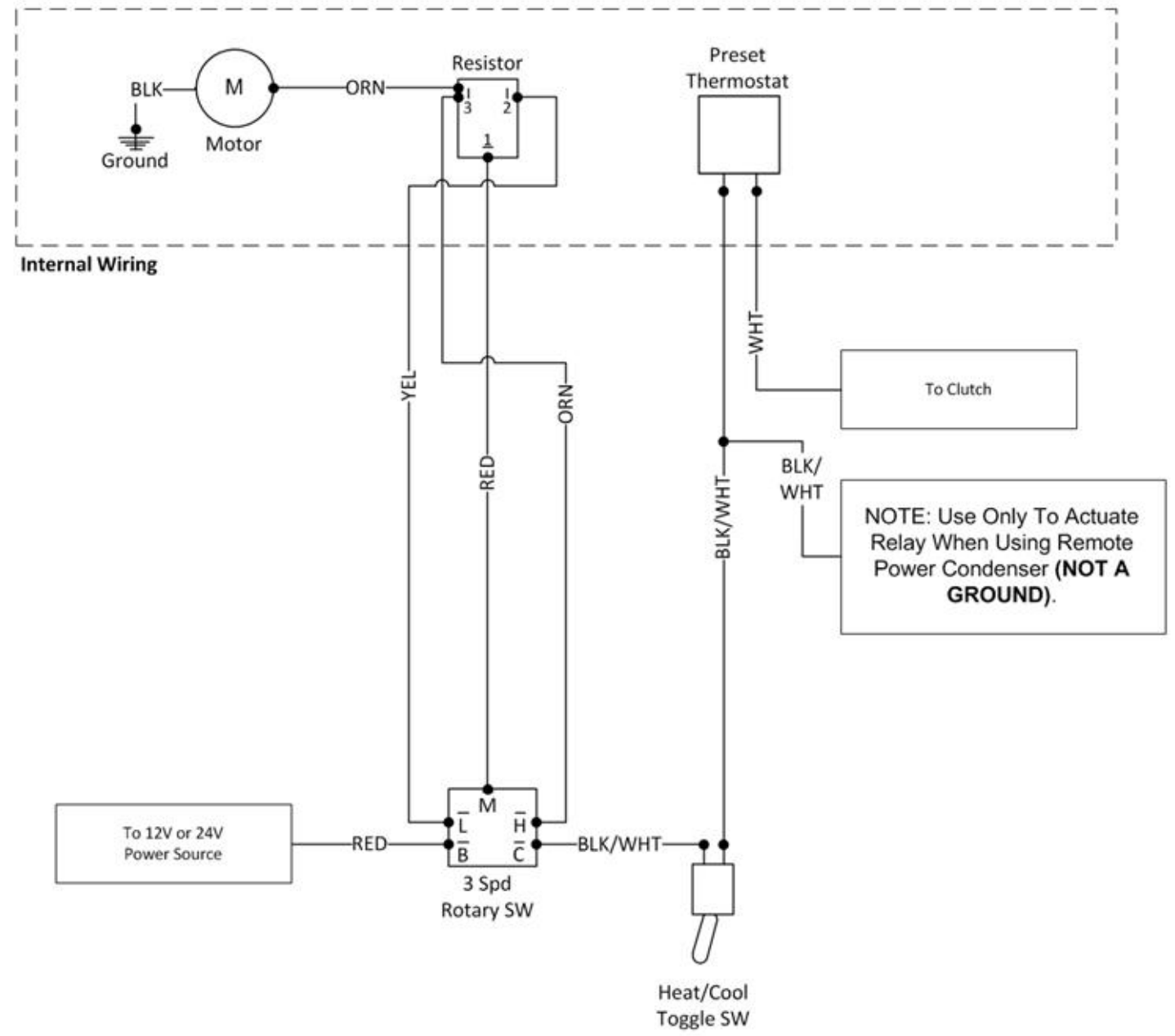
MODELED
JSHAW
DRAWN
jhamaker

8/4/2011

DWG NAME
431 Drawings.idw

SIZE
B NOTE: ALL UNITS IN INCHES

430 & 431 Series Heat/Cool Wire Diagram



Note: Same harness used in 402 & 403 series

DTAC
 Manufacturer of Heavy Equipment Heat/Cool Systems
 5130 Edgefield Ln, TX 76065 USA
 Phone 1-800-527-9477 Fax 1-800-299-5972
 www.dtac.com

12-00400
 07.19.10