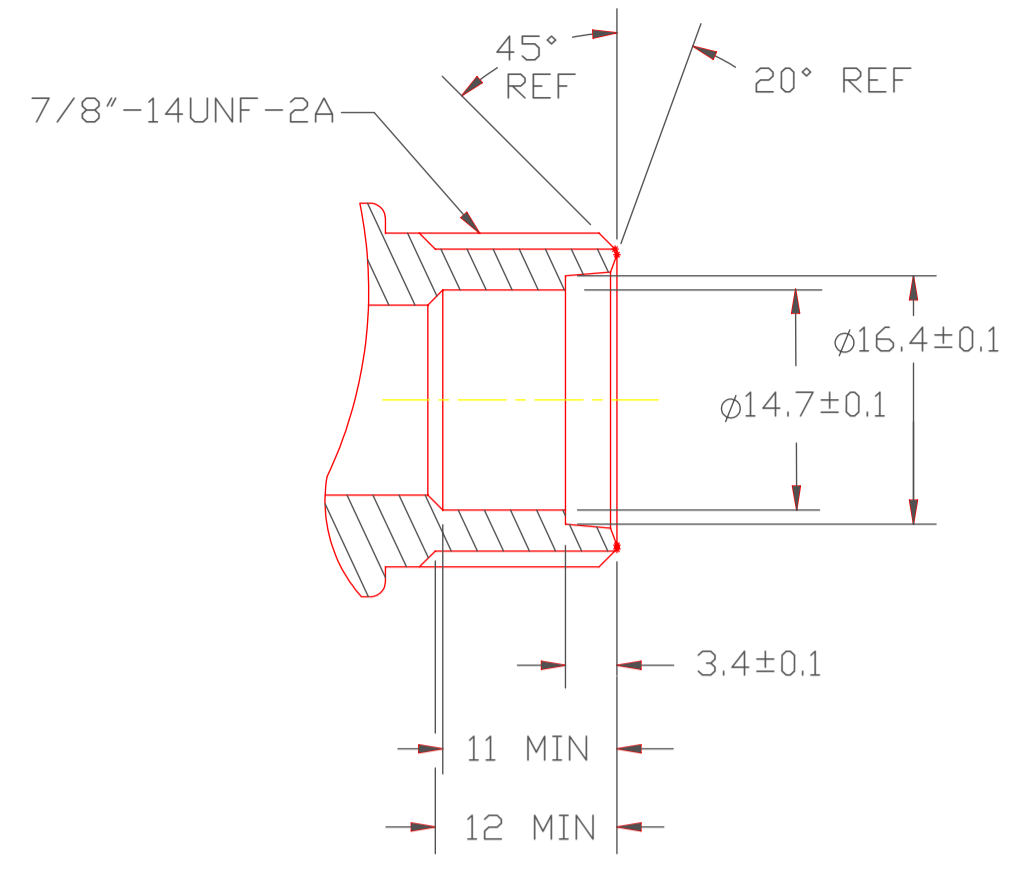
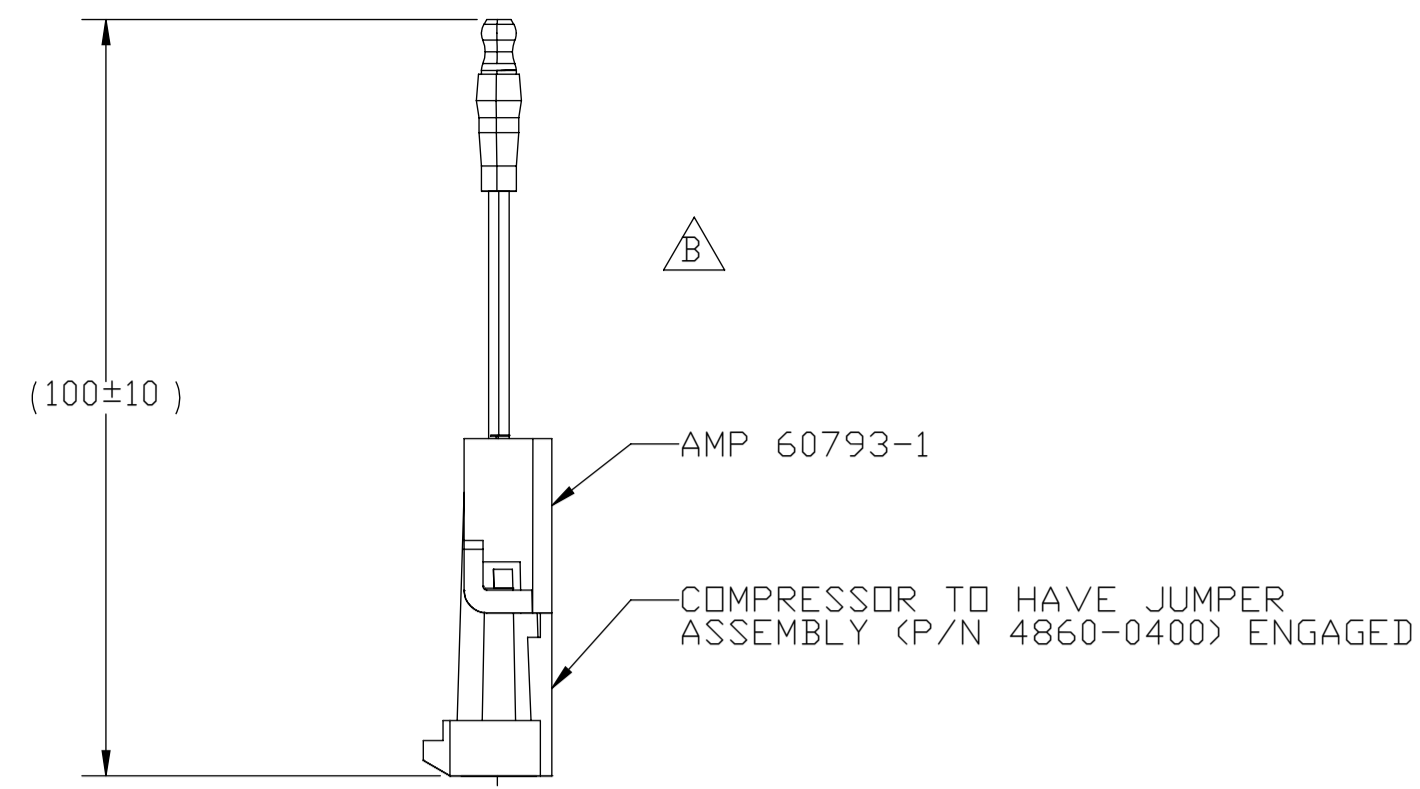
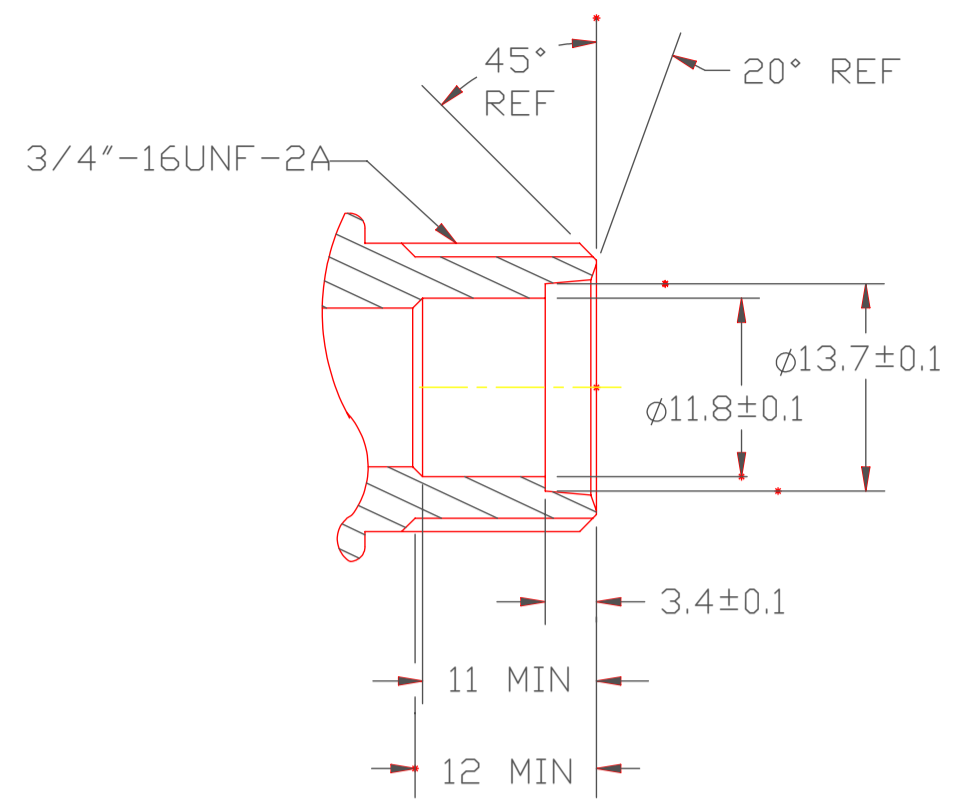


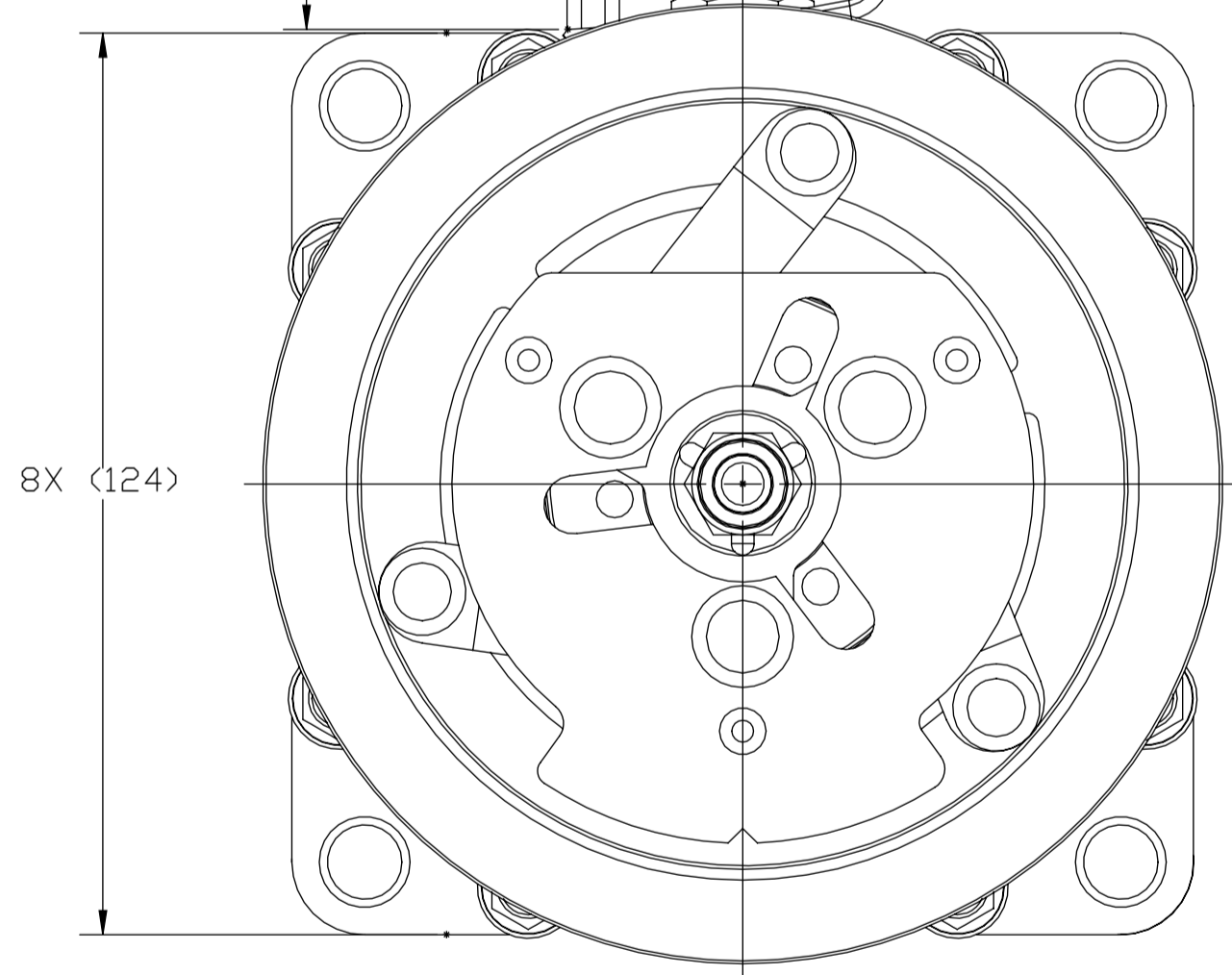
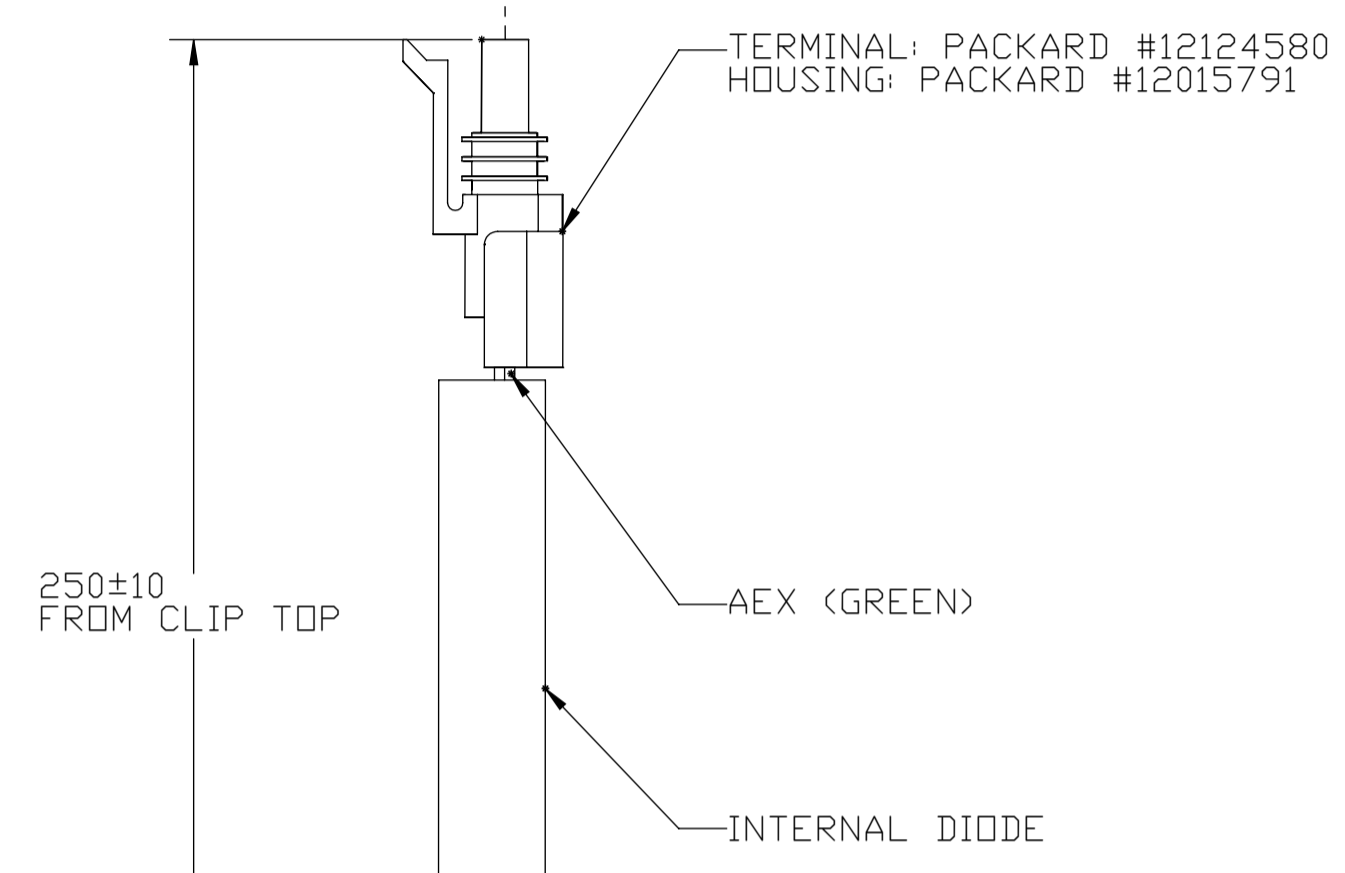
| PDCN | REV. | DATE | REVISIONS | DWN | CHK | APPV |
|------|------|-----------|---------------------------------------|-----|-----|------|
| | △ | | INITIAL RELEASE | | | |
| 8228 | △ | 12/2/2008 | ADDED JUMPER ASSEMBLY (P/N 4860-0400) | AA | SN | RM |



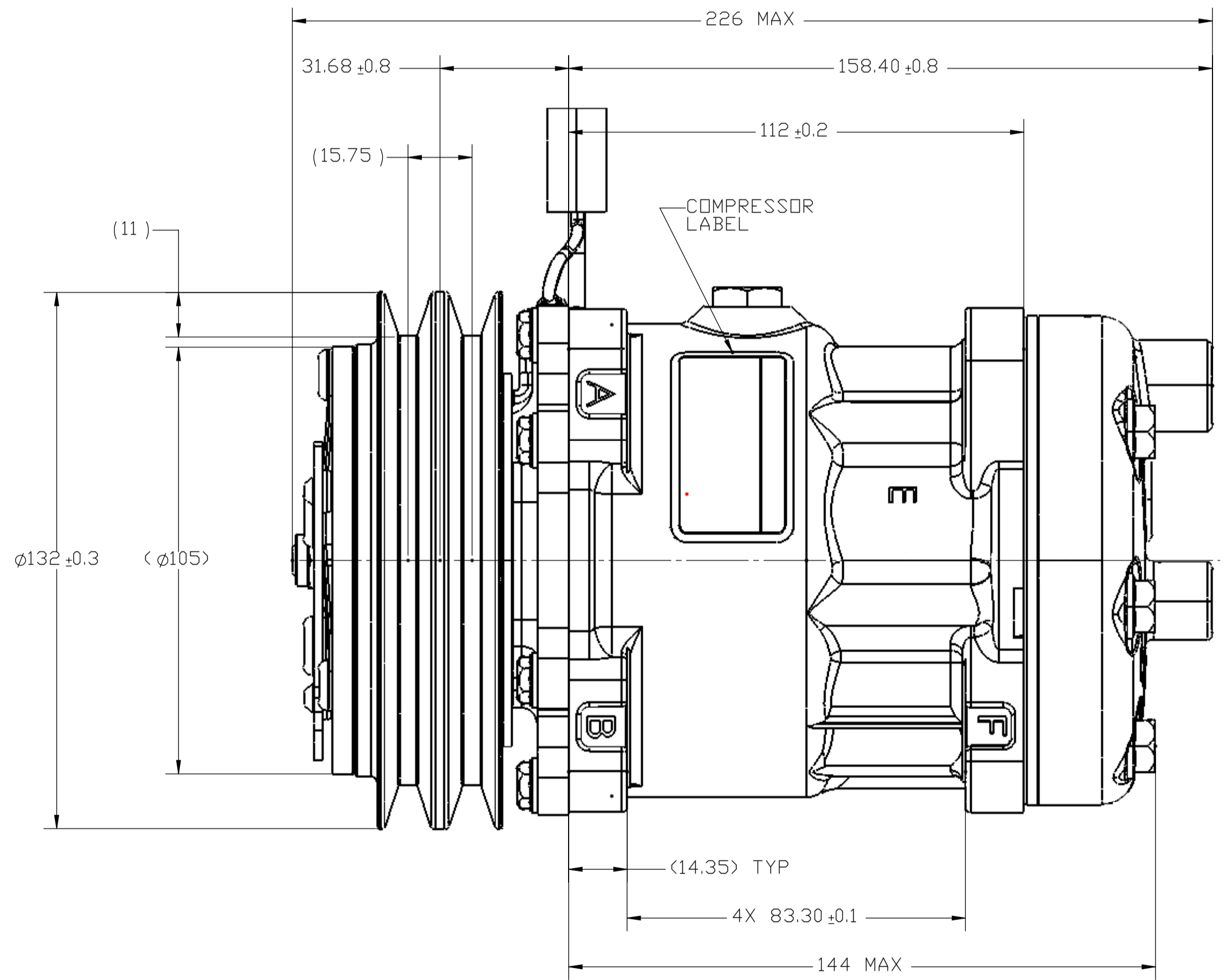
SECTION A-A
SCALE: 2:1



SECTION B-B
SCALE: 2:1

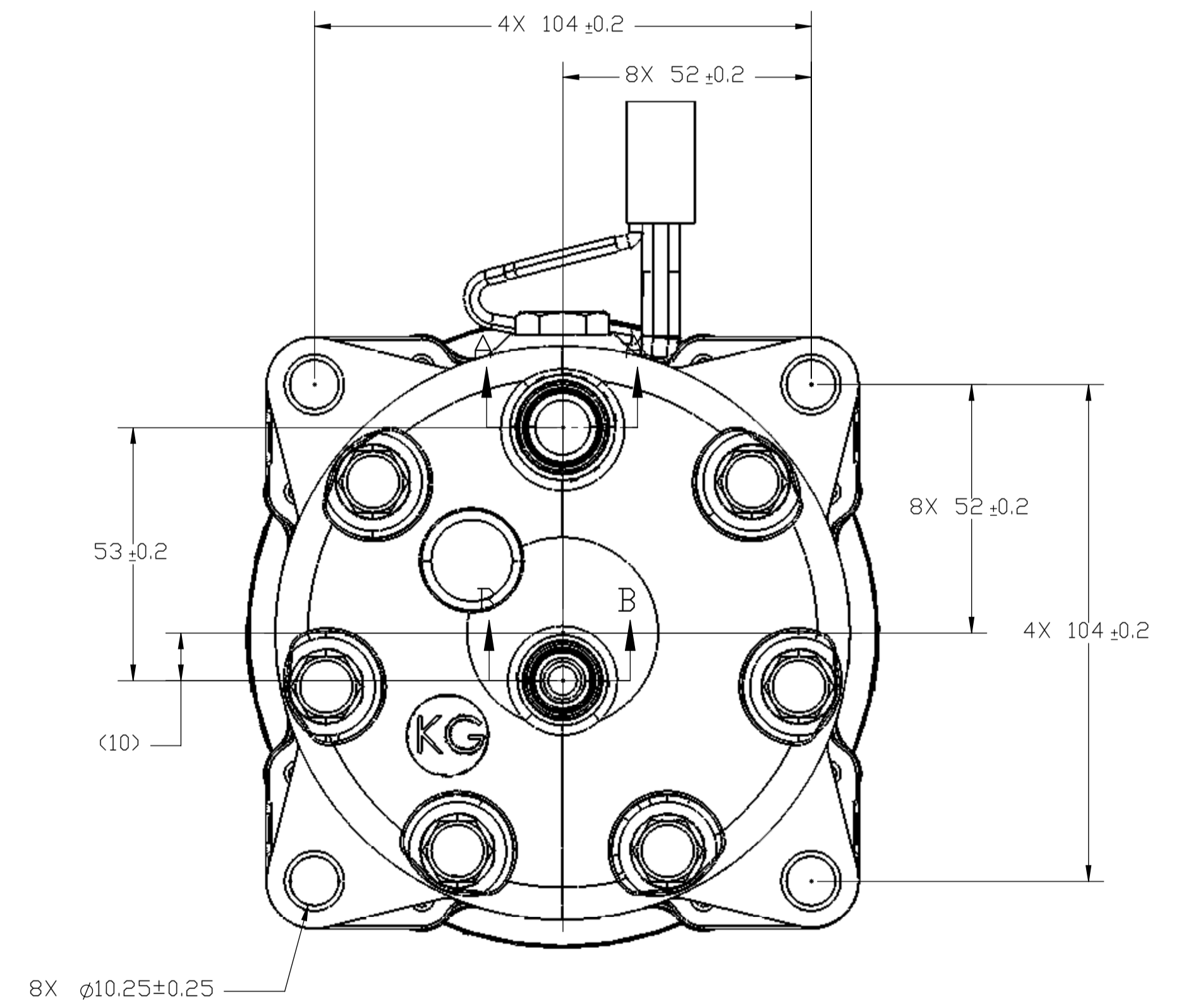


CLOCKWISE ROTATION



CLUTCH SPECIFICATIONS (REF)

| | |
|--------------------------------|----------------------|
| RATED VOLTAGE | DC 24V |
| BREAKAWAY TORQUE | 3.5 kgf-m min. @ 24V |
| MINIMUM ENGAGEMENT VOLTAGE | 16V @ AIR GAP 0.6mm |
| MAXIMUM POWER CONSUMPTION | 34 W |
| BELT TYPE | A2 |
| MAXIMUM ALLOWABLE BELT TENSION | 60 kgf per Belt |
| PULLEY DIAMETER | φ132mm |
| CLUTCH TYPE | HEAVY DUTY |



COMPRESSOR SPECIFICATIONS (REF)

| | |
|----------------------------------|-----------|
| DISPLACEMENT PER REVOLUTION | 154.9 cc |
| MAXIMUM ALLOWABLE RPM | 8000 RPM |
| MAXIMUM ALLOWABLE CONTINUOUS RPM | 6000 RPM |
| REFRIGERANT | R134a |
| OIL (SP-15) | 200±10 cc |
| COMPRESSOR WEIGHT | 8 kg |

| REV. LEVEL | RELEASED FOR: | ENG. DEVELOPMENT | DSGN | A. ARMENDARIZ | DRAWN | T. GORSKI | PLOTTED | SCALE REF | 1:1 | SCALE REF | 1:1 | METRIC |
|------------|---------------|------------------|-------|---------------|-------|-------------|---|-----------|---------------------|-----------|-----|--------|
| A | CHK | T. GORSKI | APPV. | R. MARTINEZ | DATE | 10/31/08 | <p>SANDEN SANDEN INTERNATIONAL (U.S.A.), Inc.</p> <p>This drawing and the information contained herein are CONFIDENTIAL and PROPRIETARY to Sanden International (U.S.A.), Inc., and shall not be used, copied, or disclosed to others without the written permission of Sanden International (U.S.A.), Inc.</p> <p>INTERPRETATION OF THIS DRAWING PER ASME Y14.5M-1994</p> <p>THIRD ANGLE PROJECTION</p> <p>MATERIAL:</p> <p>NAME: COMPRESSOR</p> <p>DWG. NO. 4269-6000</p> | | | | | |
| A | REV. LEVEL | RELEASED FOR: | DSGN | A. ARMENDARIZ | APPV. | R. MARTINEZ | DATE | 10/31/08 | <p>DO NOT SCALE</p> | | | |
| A | REV. LEVEL | RELEASED FOR: | DSGN | A. ARMENDARIZ | APPV. | R. MARTINEZ | DATE | 10/31/08 | <p>REV. A</p> | | | |