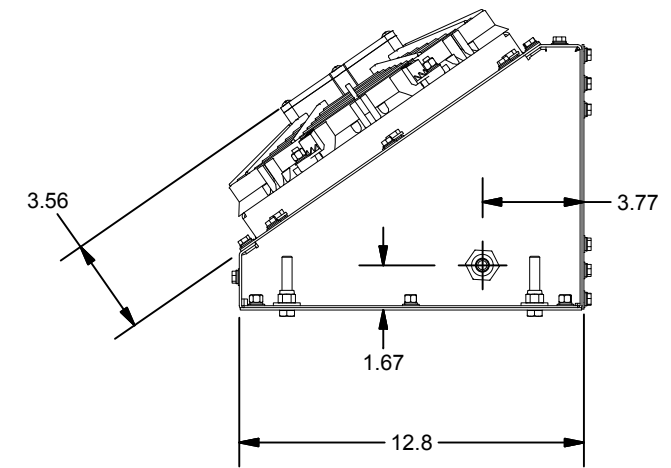
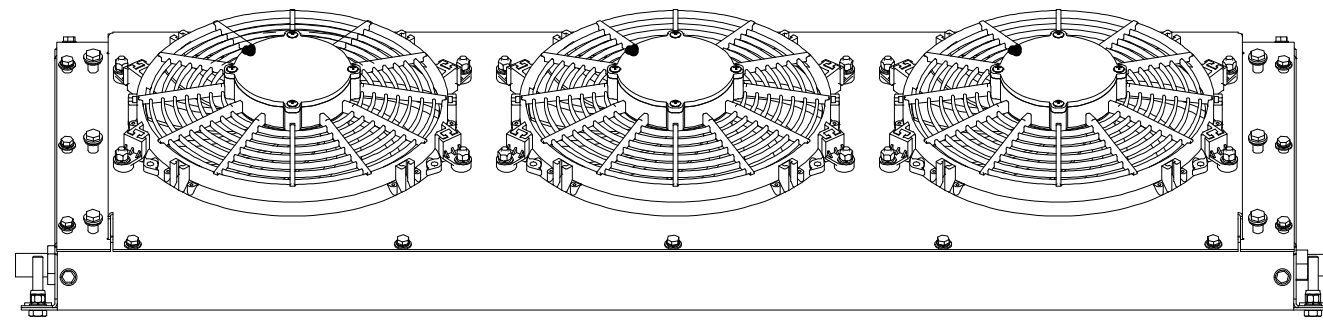
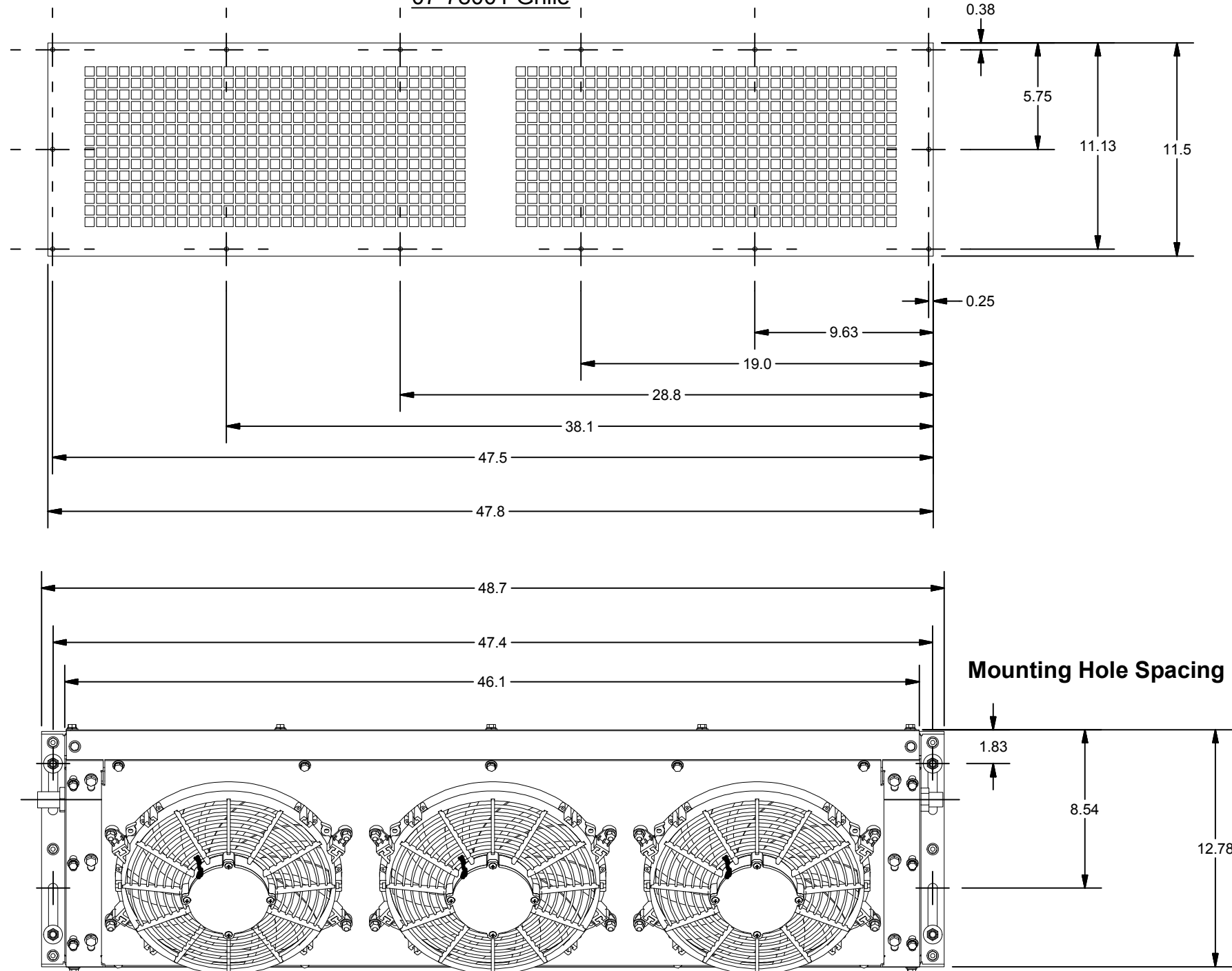


07-78000, 07-78001 FOOTPRINT AND MOUNTING INFORMATION



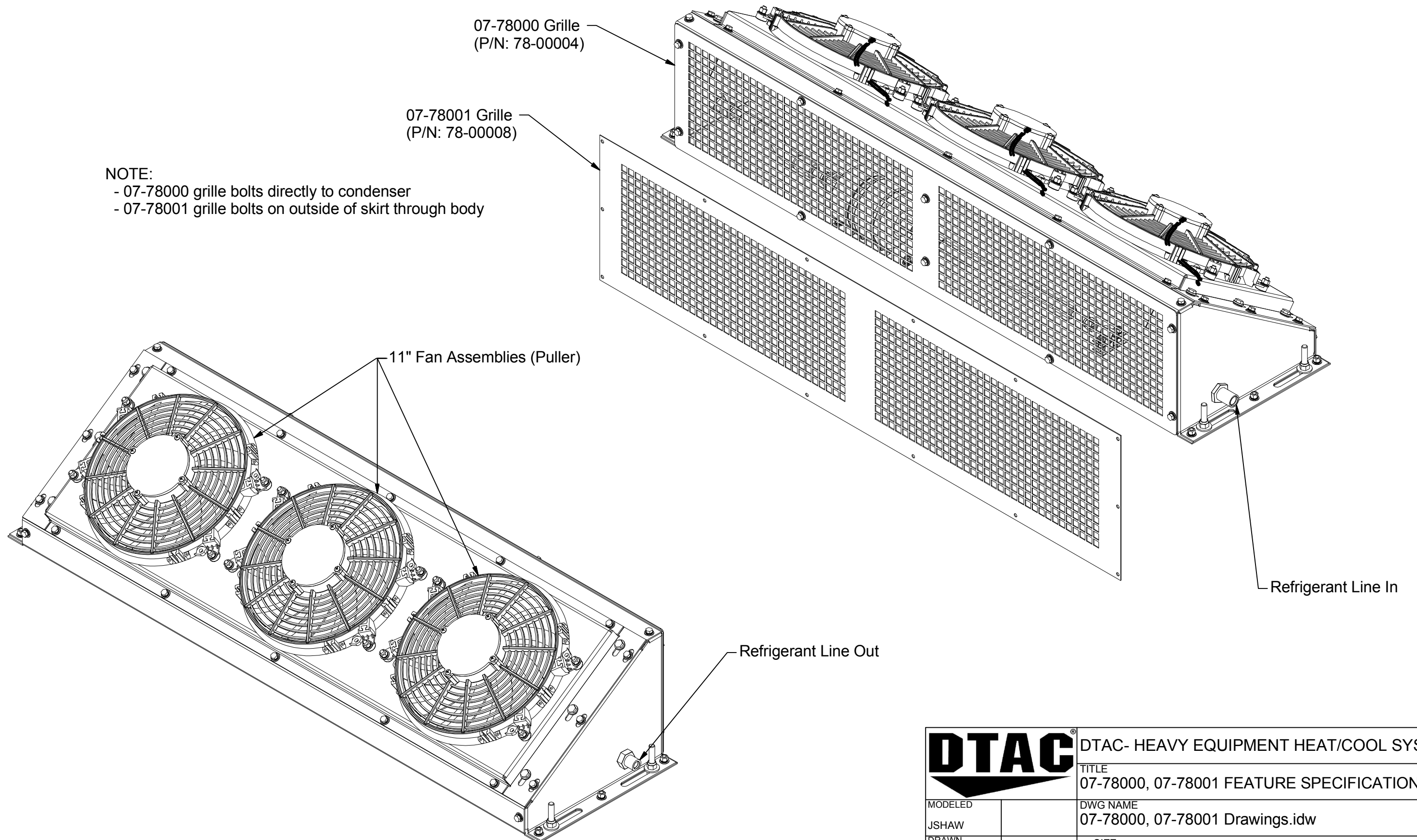
07-78001 Grille



Mounting Specifications	
Quantity	Description
4	1/2" x 2 1/2" SLOT- NO THREADS
4	3/8 NC X 2 BOLT
4	3/8 FLAT WASHER
4	3/8 NUT, NYLON LOCK
14	1/4" DIA HOLE (78001 GRILLE)
14	1/4-20 X 1/2 HEX BOLT STAINLESS

		DTAC- HEAVY EQUIPMENT HEAT/COOL SYSTEMS	
		TITLE 07-78000, 07-78001 FOOTPRINT AND MOUNTING INFORMATION	
MODELED JSHAW		DWG NAME 07-78000, 07-78001 Drawings.idw	
DRAWN jhamaker	8/23/2011	SIZE B	NOTE: ALL UNITS IN INCHES
			SHEET 1 OF 4

07-78000, 07-78001 FEATURE SPECIFICATIONS



NOTE:
 - 07-78000 grille bolts directly to condenser
 - 07-78001 grille bolts on outside of skirt through body

07-78000 Grille
 (P/N: 78-00004)

07-78001 Grille
 (P/N: 78-00008)

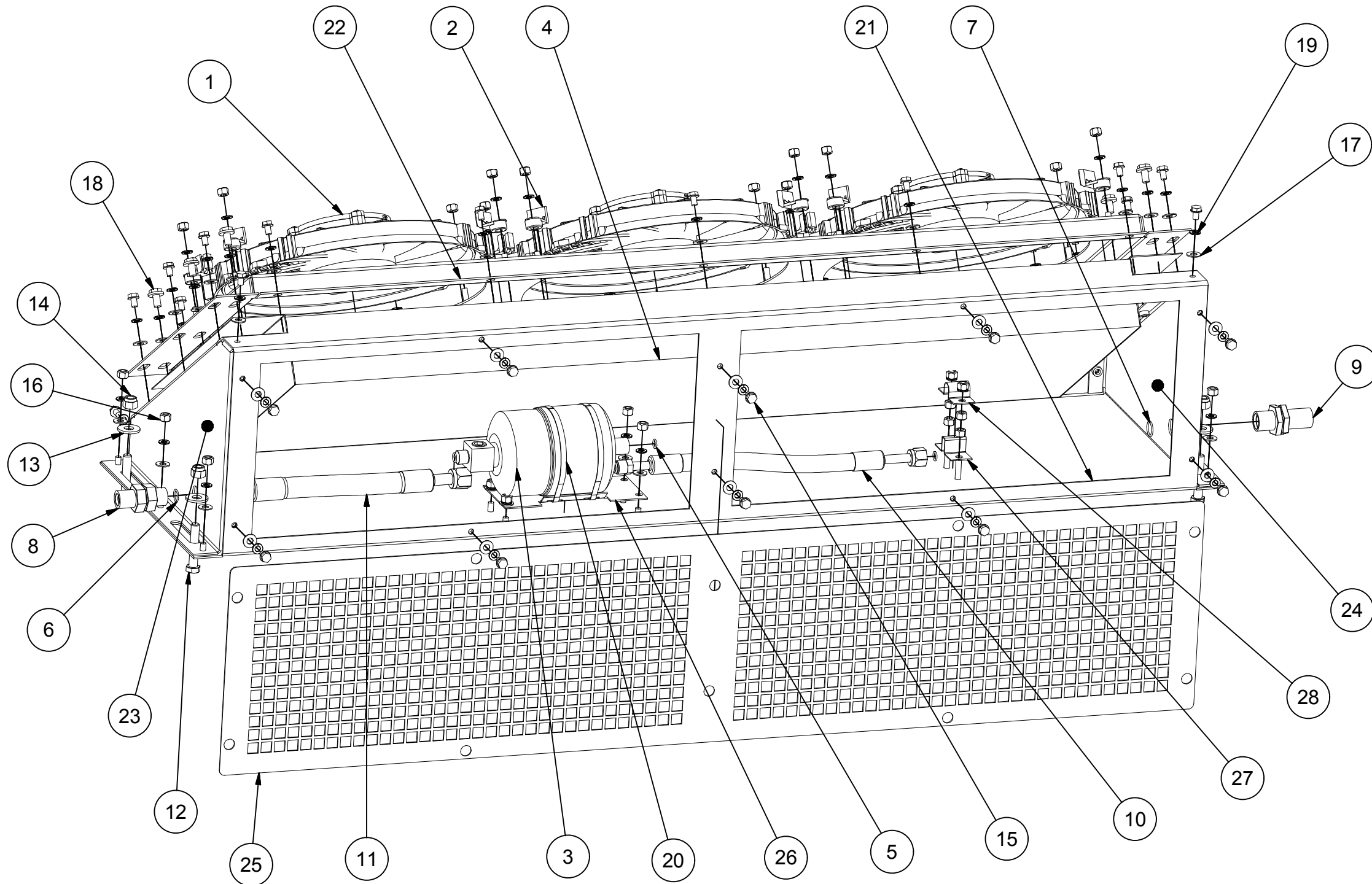
11" Fan Assemblies (Puller)

Refrigerant Line Out

Refrigerant Line In

DTAC		DTAC- HEAVY EQUIPMENT HEAT/COOL SYSTEMS	
		TITLE 07-78000, 07-78001 FEATURE SPECIFICATIONS	
MODELED JSHAW		DWG NAME 07-78000, 07-78001 Drawings.idw	
DRAWN jhamaker	8/23/2011	SIZE B	NOTE: ALL UNITS IN INCHES
			SHEET 2 OF 4

07-78000, 07-78001 PARTS BREAKDOWN AND UNIT SPECIFICATIONS



Parts Breakdown			
ITEM	QTY	DTAC NO.	DESCRIPTION
1	3	02-4011S or 02-4011S-24	11" Fan Asm, 12V Puller or 11" Fan Asm, 24V Puller
2	12	02-50025	Mount Leg
3	1	06-12040	Rec Drier, 78000, 36002
4	1	07-78001	Cond Coil
5	3	09-04011	#6 O-Ring
6	1	09-04012	#8 O-Ring
7	1	09-04013	#10 O-Ring
8	1	09-50004	#8 MIO Bulkhead w Jam Nut
9	1	09-50005	#10 MIO Bulkhead w Jam Nut
10	1	10-78006	#6 Hose Asm
11	1	10-78008	#8 Hose Asm
12	4	12-00004	3/8 NC x 2 Bolt
13	4	12-00007	3/8 Flatwasher
14	4	12-00009	3/8 Std NC Nylock Nut
15	30	12-00107	1/4-20 X 3/8 Bolt, Stainless
16	28	12-00108	1/4-20 Nut, Stainless
17	58	12-00109	1/4-20 Flatwasher
18	6	12-00110	5/16-18 X 1/2 Bolt, Stainless
19	60	12-00111	1/4" Lockwasher Stainless
20	2	12-60064	4" Clamp
21	1	78-00000	Btm Housing
22	1	78-00001	Lid
23	1	78-00002	Right Panel
24	1	78-00003	Left Panel
25	1	78-00004 or 78-00008	Grille, SM Bolt On or Grille, LG Through Body
26	1	78-00005	Drier Brkt
27	1	78-00006	Hold Down Brkt
28	1	78-00007	Tube Hold Down Brkt

UNIT SPECIFICATIONS					
BTU'S COOL	AIR FLOW	WEIGHT	MOTOR	CURRENT DRAW	DTAC NO.
55,000-78,000	2300 CFM	65 LBS	3-12V	24 AMPS	07-78000-12
"	"	"	3-24V	12 AMPS	07-78000-24
"	"	"	3-12V	24 AMPS	07-78001-12
"	"	"	3-24V	12 AMPS	07-78001-24



DTAC- HEAVY EQUIPMENT HEAT/COOL SYSTEMS

TITLE
07-78000, 07-78001 PARTS BREAKDOWN AND UNIT SPECIFICATIONS

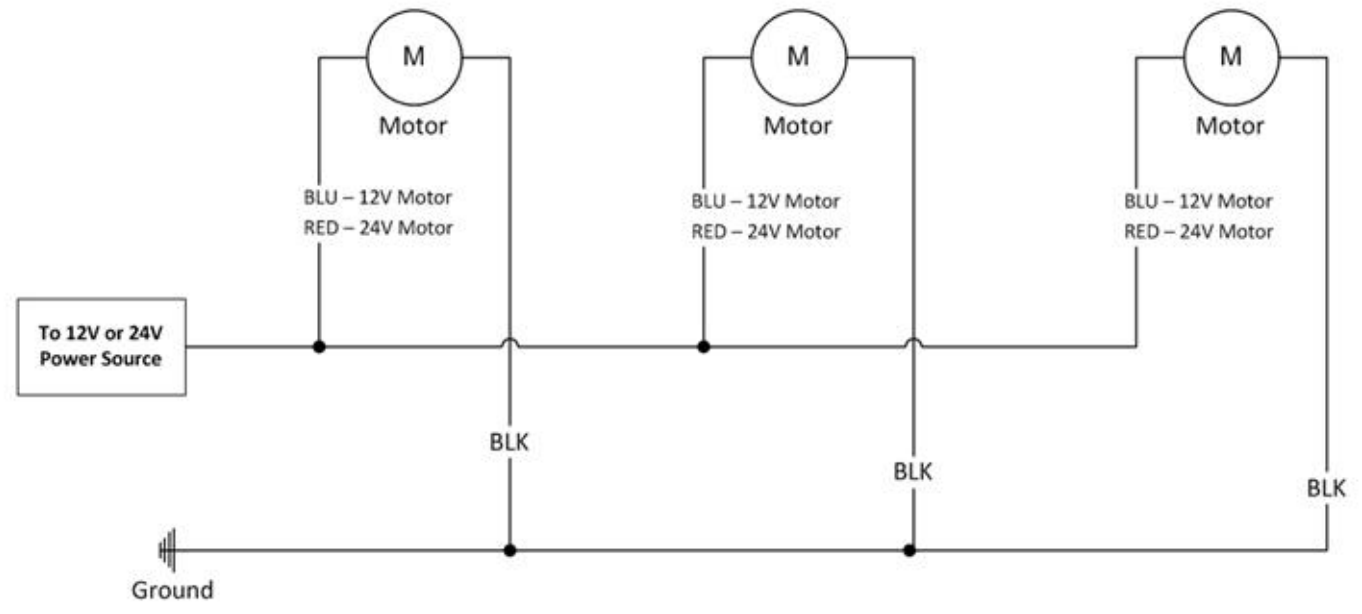
MODELED
JSHAW
DRAWN
jhamaker

8/23/2011

DWG NAME
07-78000, 07-78001 Drawings.idw

SIZE
B NOTE: ALL UNITS IN INCHES

07-78000 & 78001 Series Wire Diagram



Manufacturer of Heavy Equipment Heat/Cool Systems
5130 Edgefield Ln, TX 76065 USA
Phone 1-800-527-9477 Fax 1-800-299-5972
www.dtac.com

08.23.11

SIZE
B