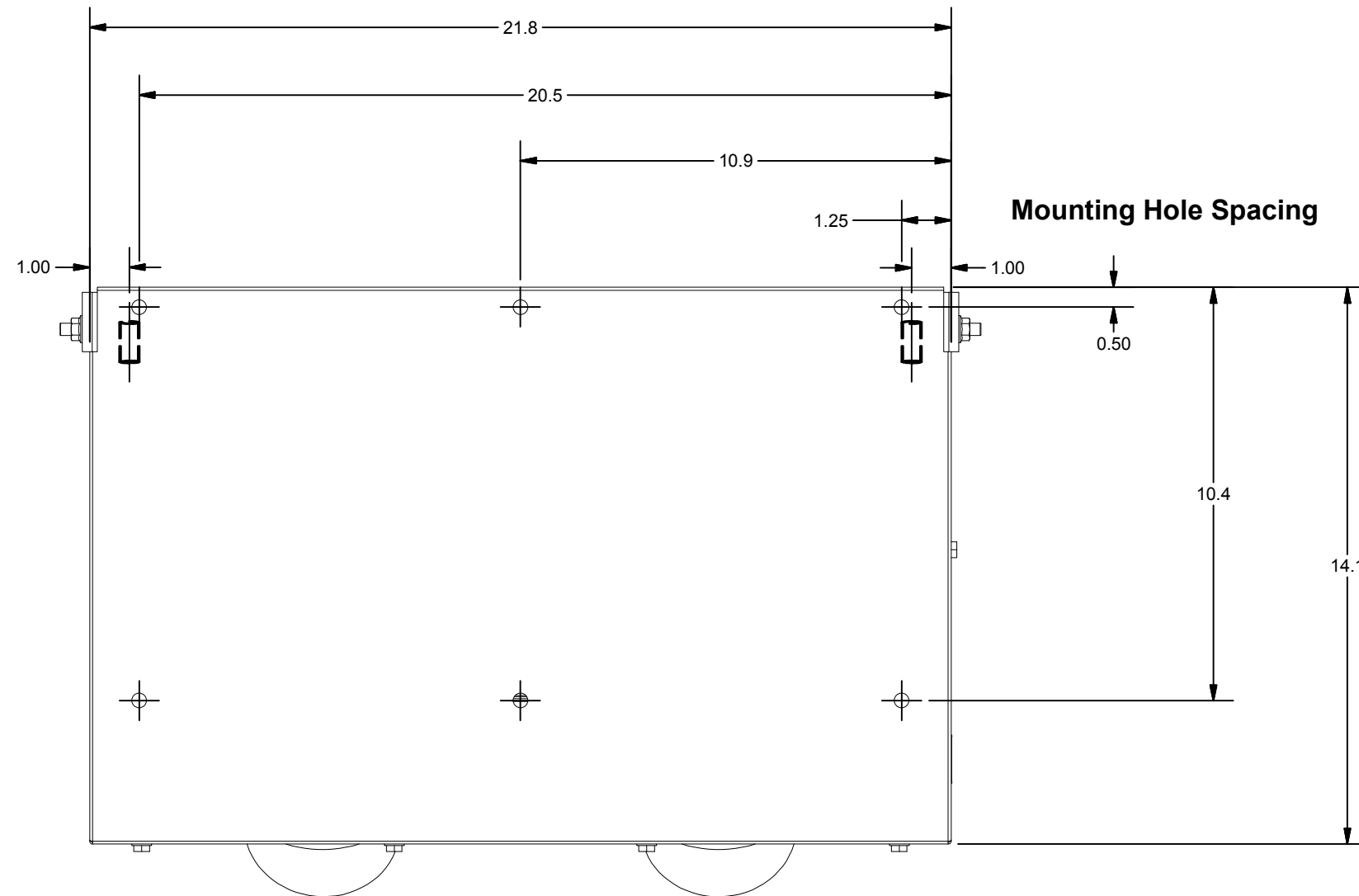
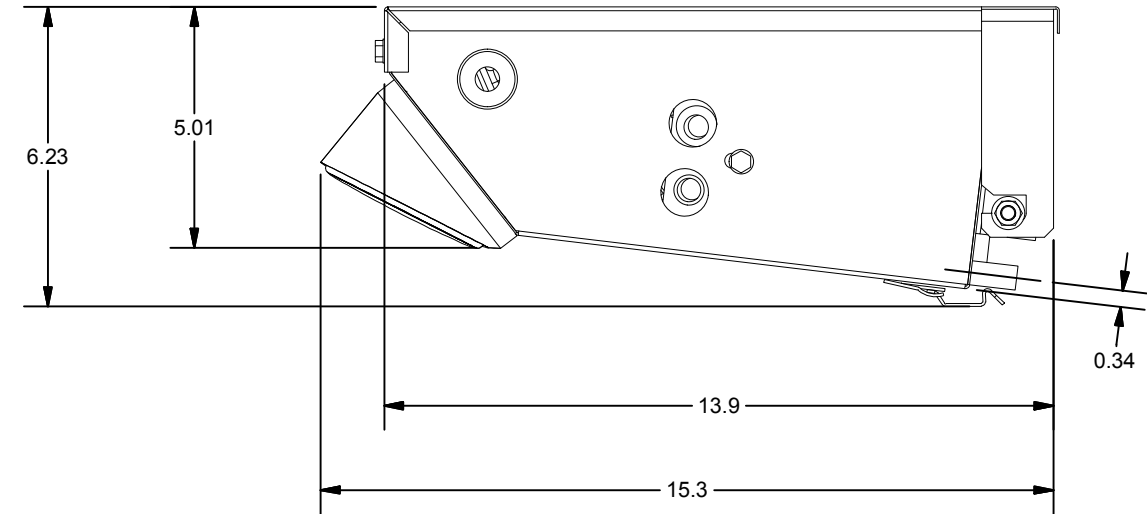
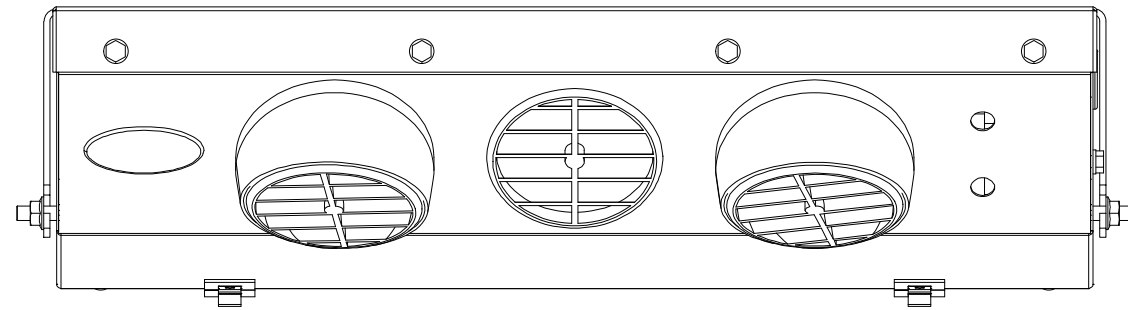



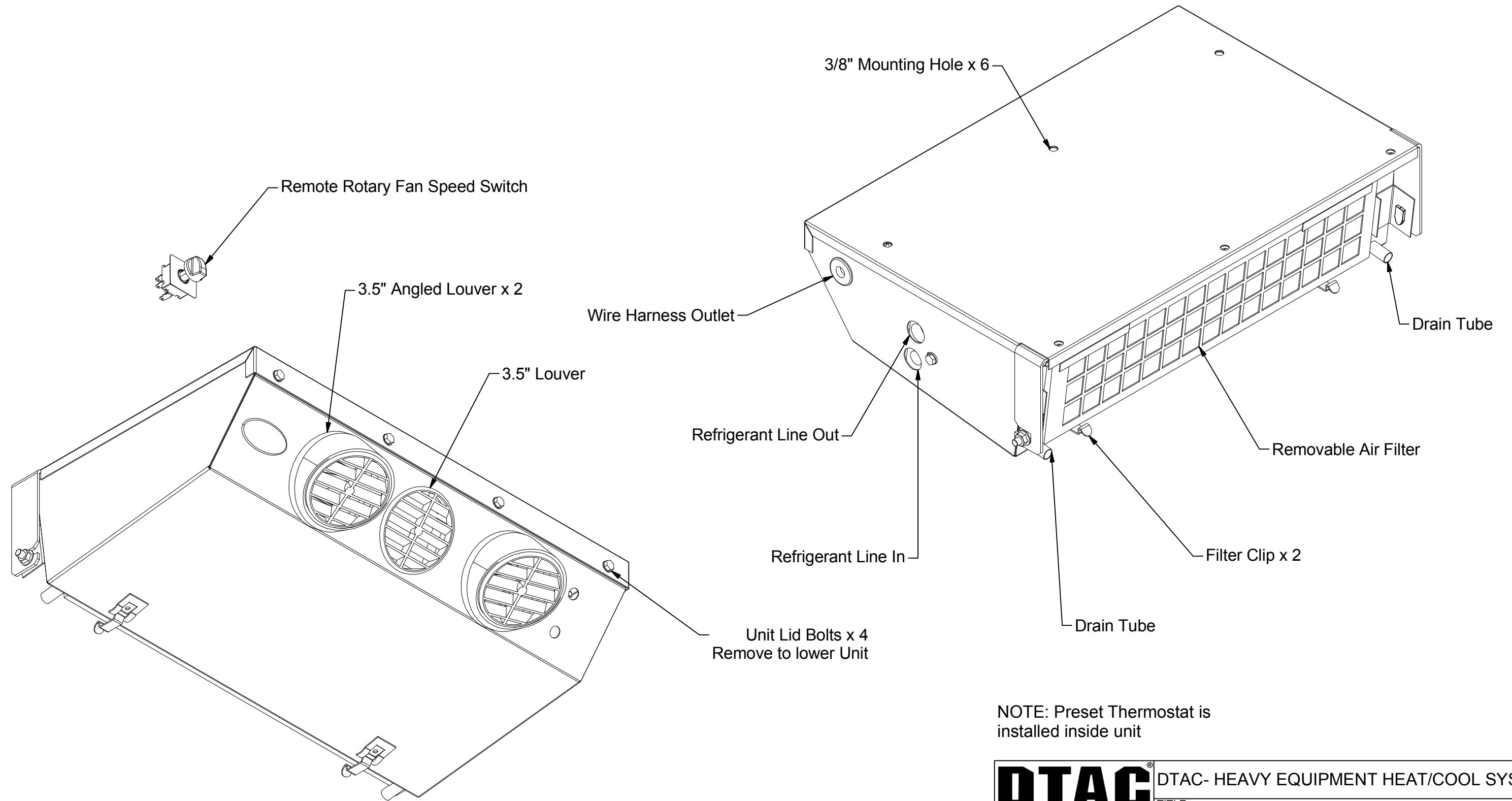
300-VR FOOTPRINT AND MOUNTING INFORMATION




Mounting Specifications	
Quantity	Description
6	3/8" DIA HOLE- NO THREADS

		DTAC- HEAVY EQUIPMENT HEAT/COOL SYSTEMS	
		TITLE 300-VR FOOTPRINT AND MOUNTING INFORMATION	
MODELED JSHAW		DWG NAME 300-VR Drawings.idw	
DRAWN jhamaker	8/4/2011	SIZE B	NOTE: ALL UNITS IN INCHES

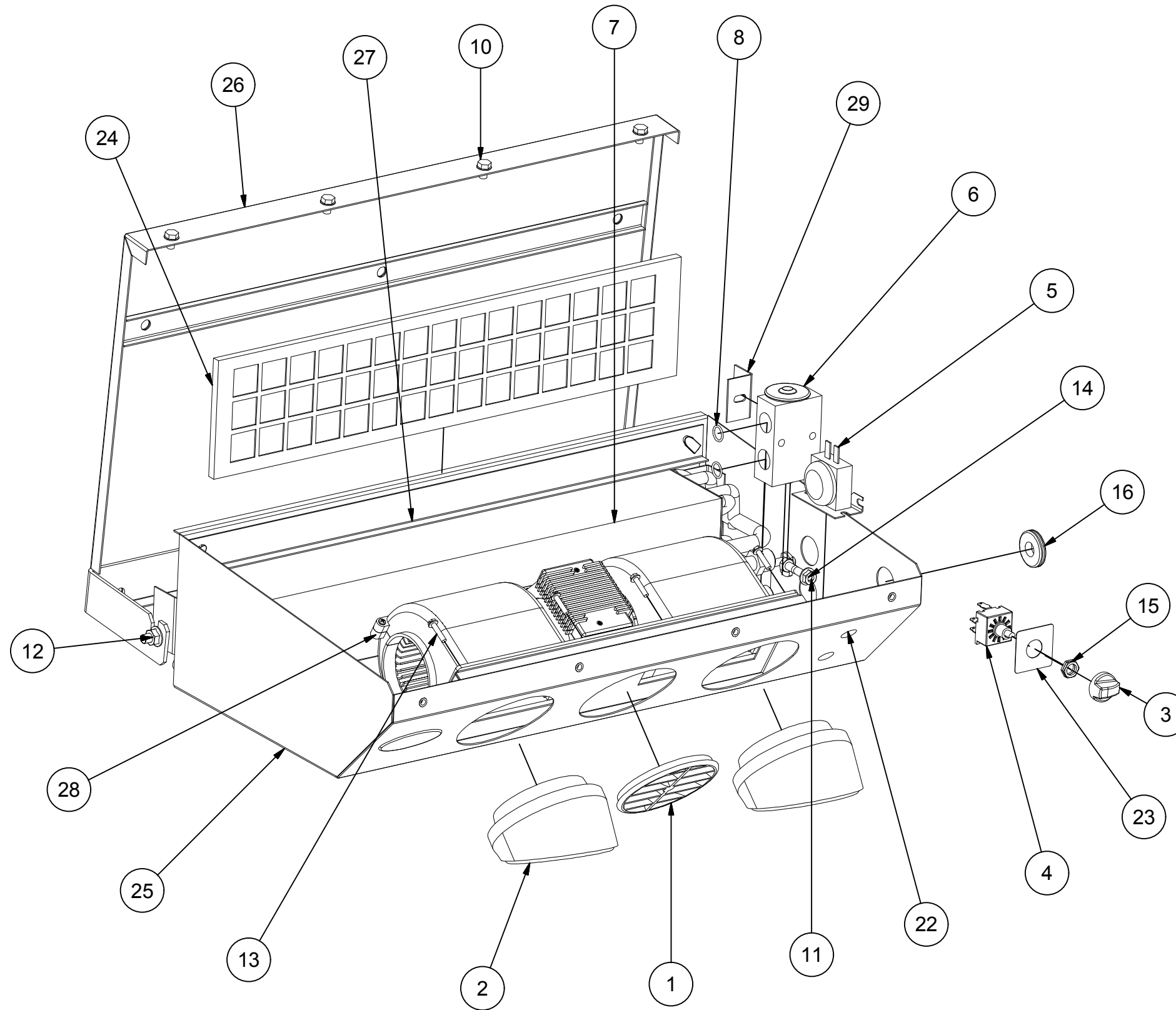
300-VR FEATURE SPECIFICATIONS



NOTE: Preset Thermostat is installed inside unit

		DTAC- HEAVY EQUIPMENT HEAT/COOL SYSTEMS	
		TITLE 300-VR FEATURE SPECIFICATIONS	
MODELED JSHAW		DWG NAME 300-VR Drawings.idw	
DRAWN jhamaker	8/4/2011	SIZE B	NOTE: ALL UNITS IN INCHES

300-VR PARTS BREAKDOWN AND UNIT SPECIFICATIONS

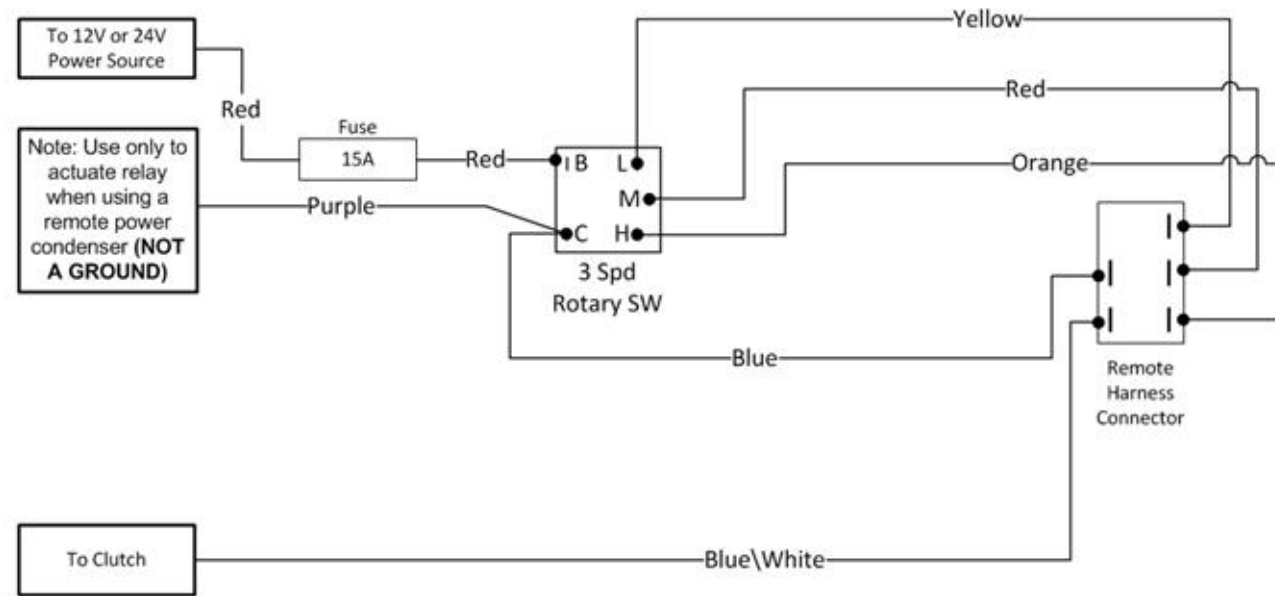


Parts Breakdown				
ITEM	QTY	DTAC NO.	DESCRIPTION	NOTE
1	1	02-16061	3-1/2" Louver	
2	2	02-16073	3.5" Angled Louver	
3	1	03-00165	Knob	
4	1	03-13006	Rotary 3-Speed Switch	
5	1	03-14013	Preset Thermostat	
6	1	04-15004	Block Expansion Valve	
7	1	07-00300	Evaporator Coil	
8	2	09-04012	#8 O-Ring	
9	15 ft	10-20012	Drain Hose	1
10	4	12-00003	1/4-20 X 3/8 Bolt	
11	1	12-00021	1/4-20 x 1.25 Hex Bolt	
12	2	12-00054	Whz Nut 5/16-18	
13	5	12-00056	#8X3/4 Tap Screw	
14	3	12-00057	1/4-20 Whiz Nut	
15	2	12-00059	Standard Switch Nut	
16	1	12-00116	One Inch Grommet	
17	2	12-00123	Copper Kazzoo	1
18	1	12-00315R	Wire Harness, External	1
19	1	12-00315RS1	Wire Harness, Internal	1
20	1	12-01874	1/2 Plastic Tee	1
21	1	12-01875	1/2 Plastic Elbow	1
22	2	12-02643	1/2" Button Plug	
23	1	12-50421	Face Plate - Air Increase	
24	1	30-50253	Intake Filter, 18.875 x 4.25	
25	1	30-51279	Housing	
26	1	30-51281	Lid	
27	1	30-51286	Coil Hold Brkt	
28	1	30-51580	12V Blower Assembly	
29	1	50-50500	Expansion Valve Mnt Brkt	
-	-	Note 1	Part not shown	

UNIT SPECIFICATIONS						
BTU'S COOL	BTU'S HEAT	AIR FLOW	WEIGHT	MOTOR	CURRENT DRAW	DTAC NO.
20,200	-	295 CFM	24 LBS	1-12V	13 AMPS @ 13.5 VDC	300-12VR

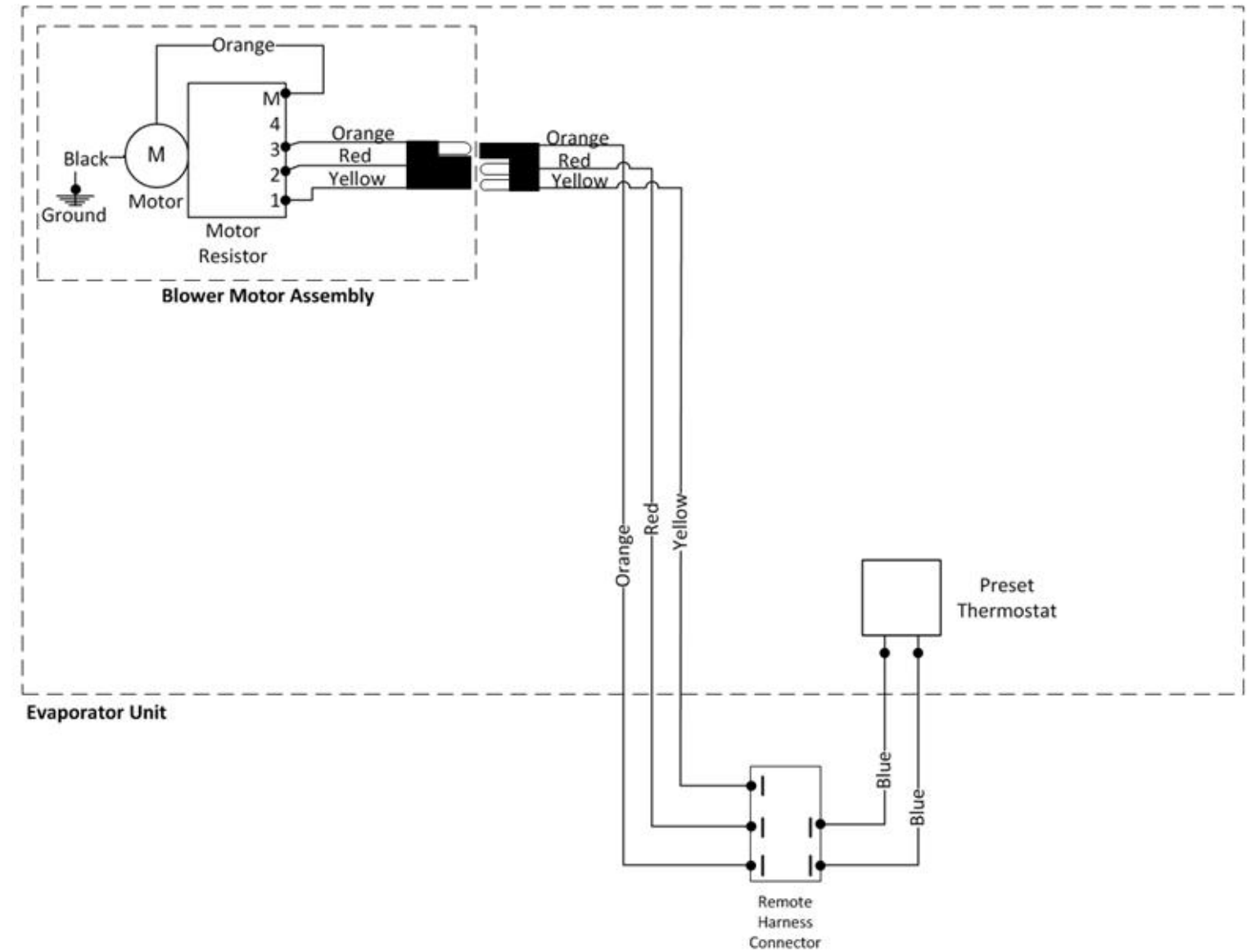
DTAC		DTAC- HEAVY EQUIPMENT HEAT/COOL SYSTEMS	
		TITLE 300-VR PARTS BREAKDOWN AND UNIT SPECIFICATIONS	
MODELED JSHAW		DWG NAME 300-VR Drawings.idw	
DRAWN jhamaker	8/4/2011	SIZE B	NOTE: ALL UNITS IN INCHES
			SHEET 3 OF 4

300-VR Series - Cool/Remote External Wire Diagram



NOTE:
One 24" piece of Red 10ga wire included to connect battery and circuit breaker (optional)

300-VR Series - Heat/Cool/Remote Internal Wire Diagram



Note:
Harness is a modified 12-00315RS



Manufacturer of Heavy Equipment Heat/Cool Systems
5130 Edgefield Ln, TX 76065 USA
Phone 1-800-527-9477 Fax 1-800-299-5972
www.dtac.com

12-00315R
07.19.10



Manufacturer of Heavy Equipment Heat/Cool Systems
5130 Edgefield Ln, TX 76065 USA
Phone 1-800-527-9477 Fax 1-800-299-5972
www.dtac.com

12-00315RS1
07.19.10

SIZE
B

SHEET 4 OF 4