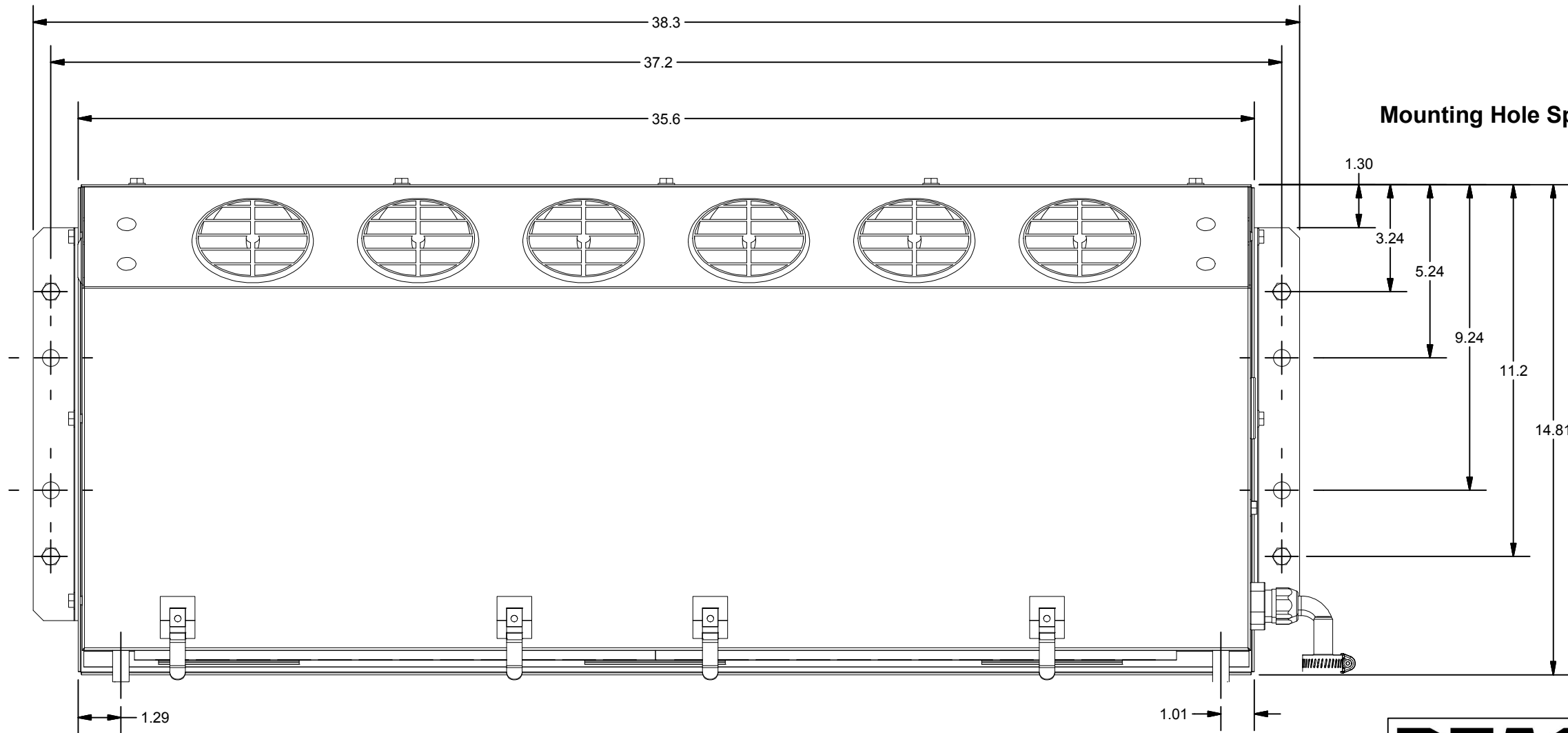
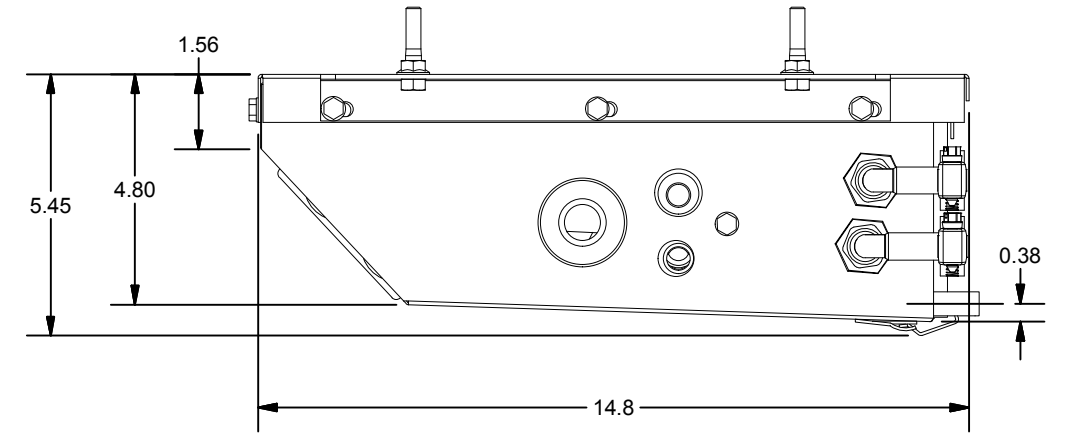
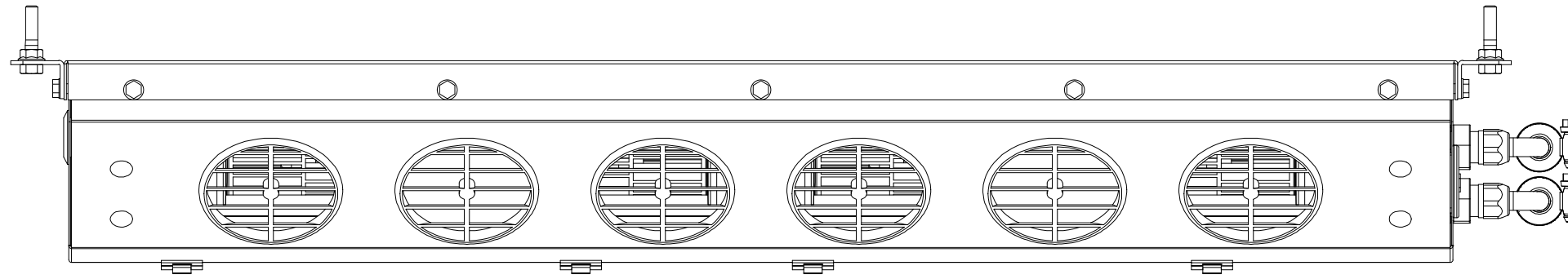


# 315-HCR FOOTPRINT AND MOUNTING INFORMATION



## Mounting Hole Spacing

Mounting Specifications	
Quantity	Description
4	5/16-18x1-1/2 HEX CAP
4	5/16 WHIZ NUT
8	1/2" DIA HOLE- NO THREADS



DTAC- HEAVY EQUIPMENT HEAT/COOL SYSTEMS

TITLE  
315-HCR FOOTPRINT AND MOUNTING INFORMATION

MODELED

JSHAW

DRAWN

jhamaker

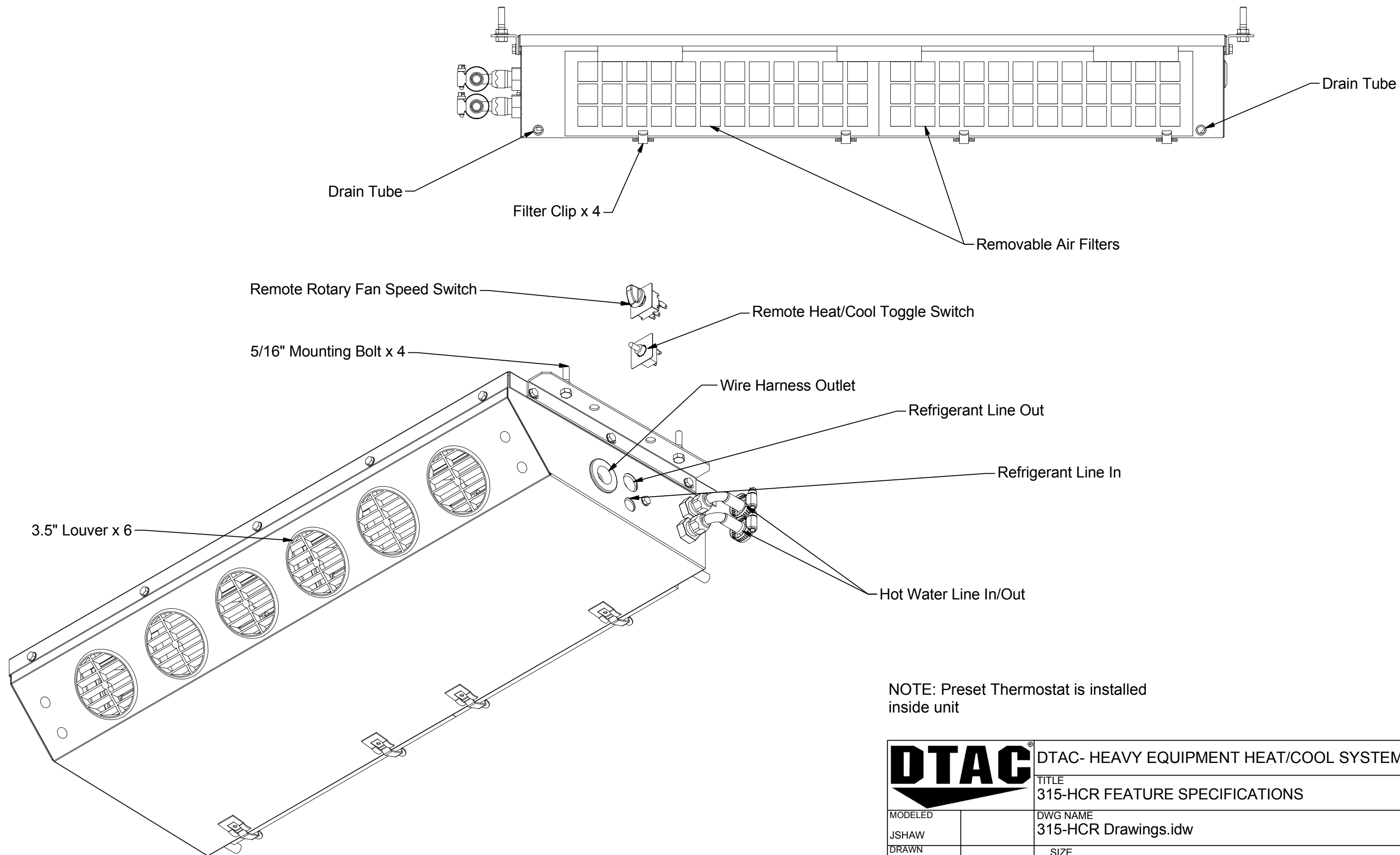
DWG NAME  
315-HCR Drawings.idw

SIZE  
B


NOTE: ALL UNITS IN INCHES

SHEET 1 OF 4

# 315-HCR FEATURE SPECIFICATIONS

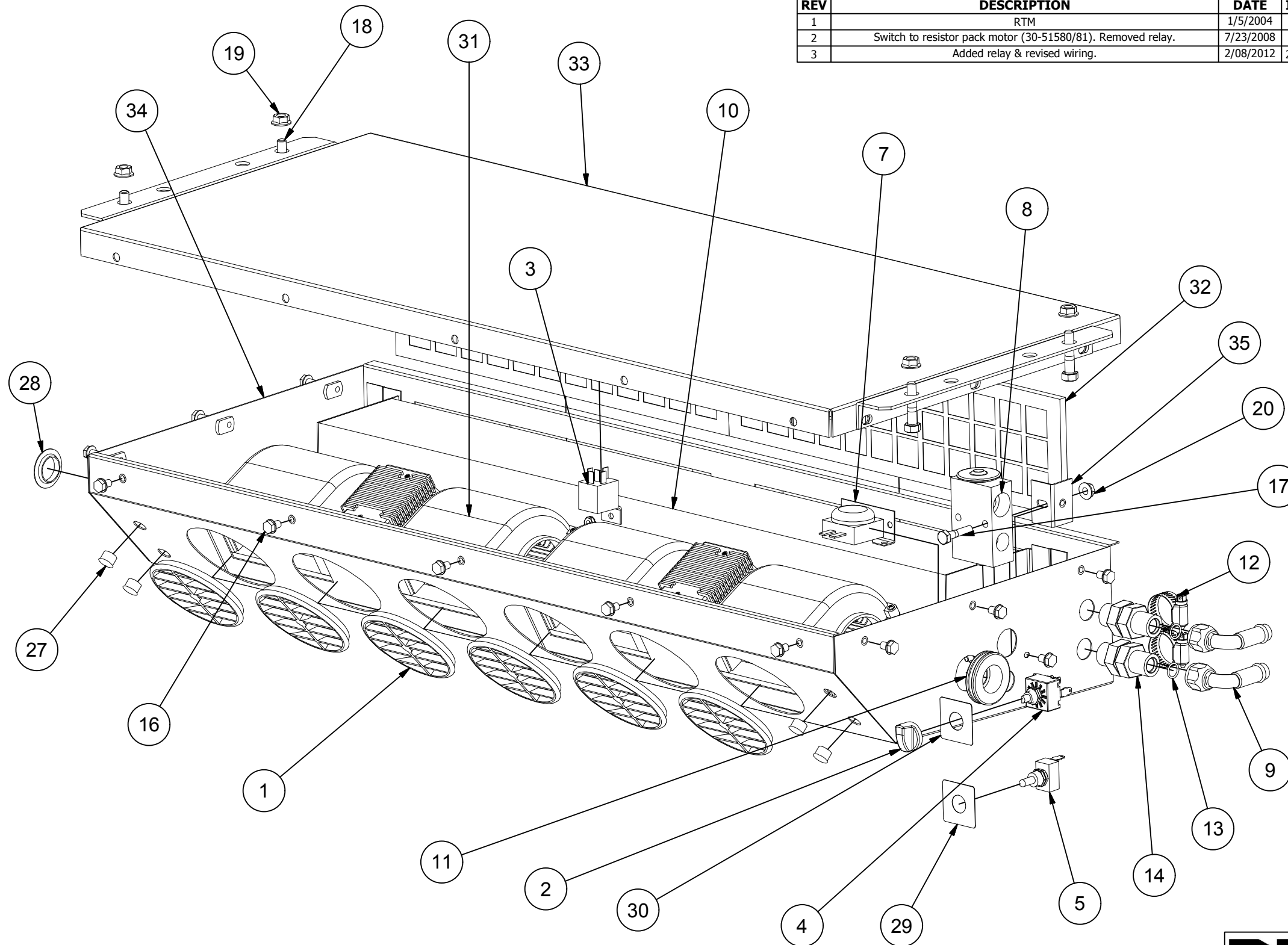


NOTE: Preset Thermostat is installed inside unit

		DTAC- HEAVY EQUIPMENT HEAT/COOL SYSTEMS	
		TITLE 315-HCR FEATURE SPECIFICATIONS	
MODELED		DWG NAME 315-HCR Drawings.idw	
JSHAW		SIZE	NOTE: ALL UNITS IN INCHES
DRAWN	8/4/2011	B	
jhamaker			SHEET 2 OF 4

# 315-HCR PARTS BREAKDOWN AND UNIT SPECIFICATIONS

REVISION HISTORY			
REV	DESCRIPTION	DATE	ID
1	RTM	1/5/2004	
2	Switch to resistor pack motor (30-51580/81). Removed relay.	7/23/2008	
3	Added relay & revised wiring.	2/08/2012	28



Parts Breakdown				
ITEM	QTY	DTAC NO.	DESCRIPTION	NOTE
1	6	02-16061	3-1/2" Louver	
2	1	03-00165	Knob	
3	1	03-01702 or 03-01704	12V Relay 24V Relay	
4	1	03-13006	Rotary 3-Speed Switch	
5	1	03-13020	Toggle Switch	
6	1	03-13029	40 Amp Circuit Breaker	1
7	1	03-14013	Preset Thermostat	
8	1	04-15004	Block Expansion Valve	
9	2	05-00301	90 Degree Heater Fitting	
10	1	07-00315	Heat/Cool Evap Coil	
11	1	09-00621	One Inch Grommet	
12	2	09-04000	Hose Clamp #6/#8	
13	6	09-04012	#8 O-Ring	
14	2	09-50004	#8 MIO Bulkhead w Jam Nut	
15	15 ft	10-20012	Drain Hose, 1/2"	1
16	12	12-00003	1/4-20 X 3/8 Bolt	
17	1	12-00021	1/4-20 x 1.25 Hex Bolt	
18	4	12-00023	5/16-18 - 1.5	
19	4	12-00054	Whz Nut 5/16-18	
20	1	12-00057	1/4-20 Whiz Nut	
21	2	12-00060	Heat/Cool Switch Nut	
22	2	12-00123	Kazoo Drain Restrictor	1
23	1	12-00315RH	External Wire Harness	1
24	1	12-00315RS	Internal Wire Harness	1
25	1	12-01874	1/2" Plastic Drain Tee	1
26	2	12-01875	1/2" Plastic Drain Elbow	1
27	4	12-02643	1/2" Button Plug	
28	1	12-02783	1" Button Plug	
29	1	12-50420	Face Plate - Heat/Cool	
30	1	12-50421	Face Plate - Air Increase	
31	2	30-51580 or 30-51581	12V Blower Assembly or 24V Blower Assembly	
32	2	31-50000	Filter 315	
33	1	31-50001	Lid	
34	1	31-50002	Housing	
35	1	50-50500	Expansion Valve Mnt Brkt	
36	-	Note 1	Part not shown	

UNIT SPECIFICATIONS						
BTU'S COOL	BTU'S HEAT	AIR FLOW	WEIGHT	MOTOR	CURRENT DRAW	DTAC NO.
33,000	22,000	410 CFM	48 LBS	2-12V	24 AMPS @ 13.6 VDC	315-12HCR
"	"	"	"	2-24V	14 AMPS @ 27 VDC	315-24HCR



DTAC- HEAVY EQUIPMENT HEAT/COOL SYSTEMS

TITLE  
315-HCR PARTS BREAKDOWN AND UNIT SPECIFICATIONS

MODELED

JSHAW

DRAWN

jhamaker

DWG NAME

315-HCR Drawings.idw

SIZE

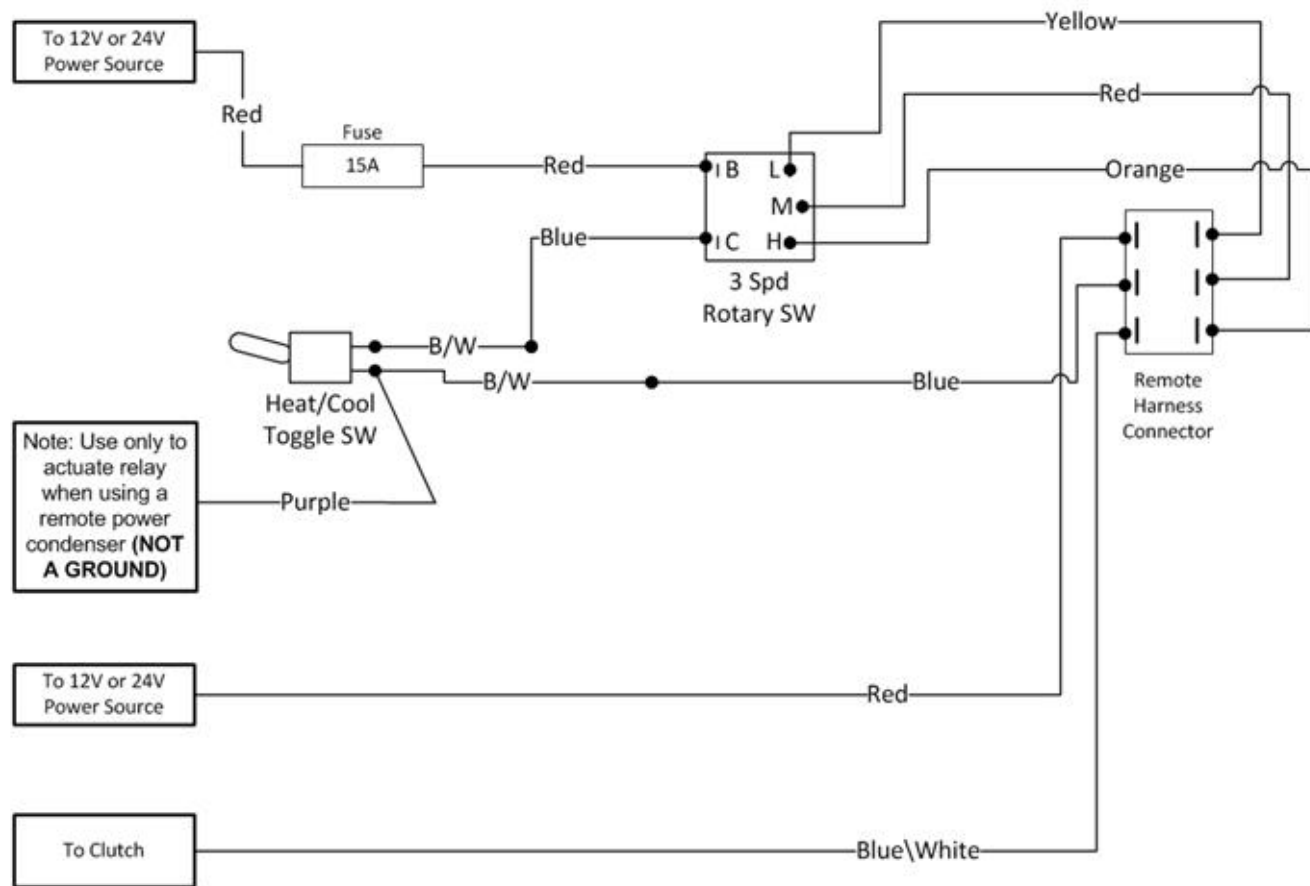
B

8/4/2011

NOTE: ALL UNITS IN INCHES

SHEET 3 OF 4

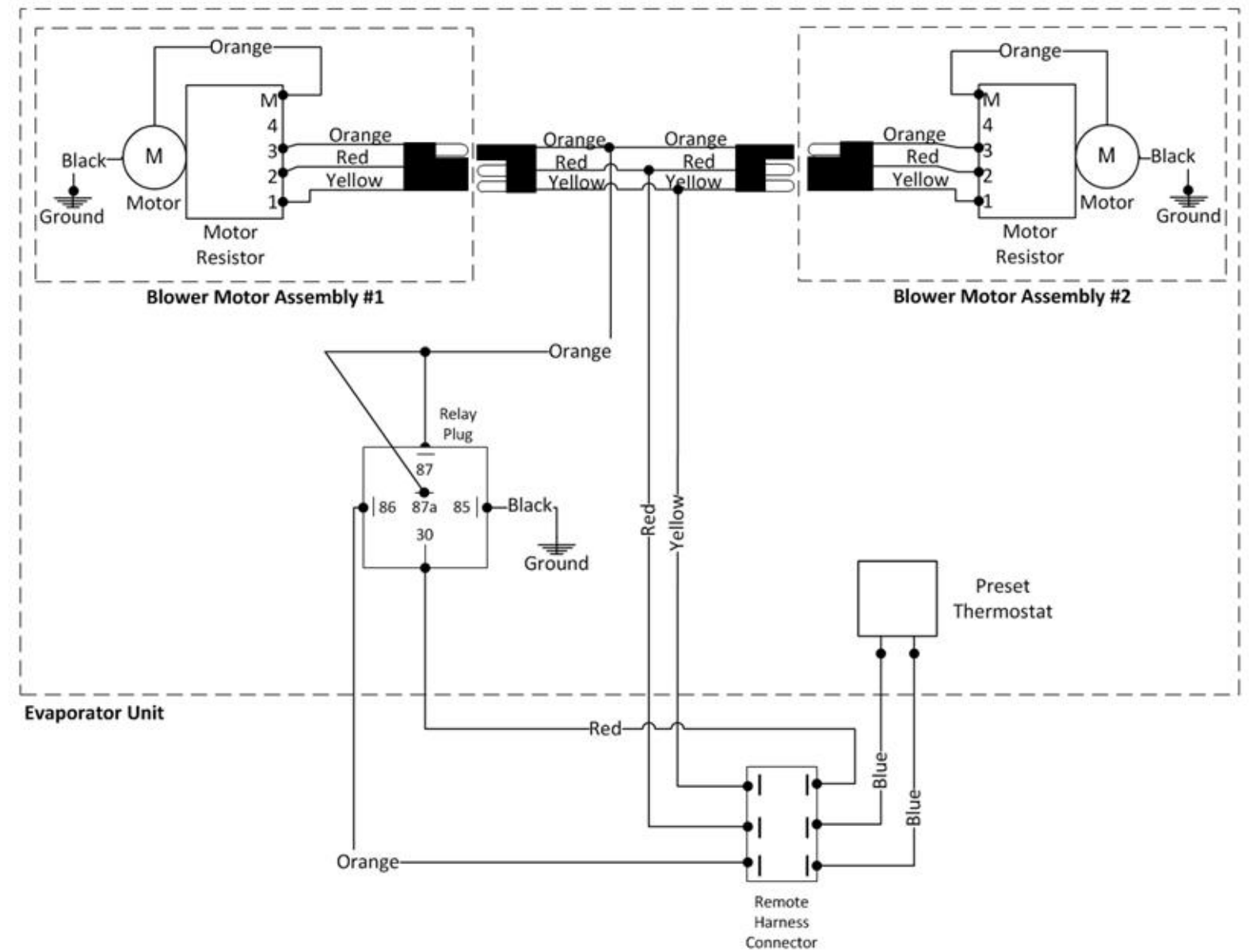
# 315-HCR Series - Heat/Cool/Remote External Wire Diagram



Note: Use only to actuate relay when using a remote power condenser (NOT A GROUND)

NOTE:  
One 24" piece of Red 10ga wire included to connect battery and circuit breaker (optional)

# 315-HCR Series Internal Wire Diagram



Manufacturer of Heavy Equipment Heat/Cool Systems  
5130 Edgefield Ln, TX 76065 USA  
Phone 1-800-527-9477 Fax 1-800-299-5972  
www.dtac.com

12-00315RH Rev2  
02.10.12



Manufacturer of Heavy Equipment Heat/Cool Systems  
5130 Edgefield Ln, TX 76065 USA  
Phone 1-800-527-9477 Fax 1-800-299-5972  
www.dtac.com

12-00315RS rev2  
02.09.12

SIZE  
B

SHEET 4 OF 4