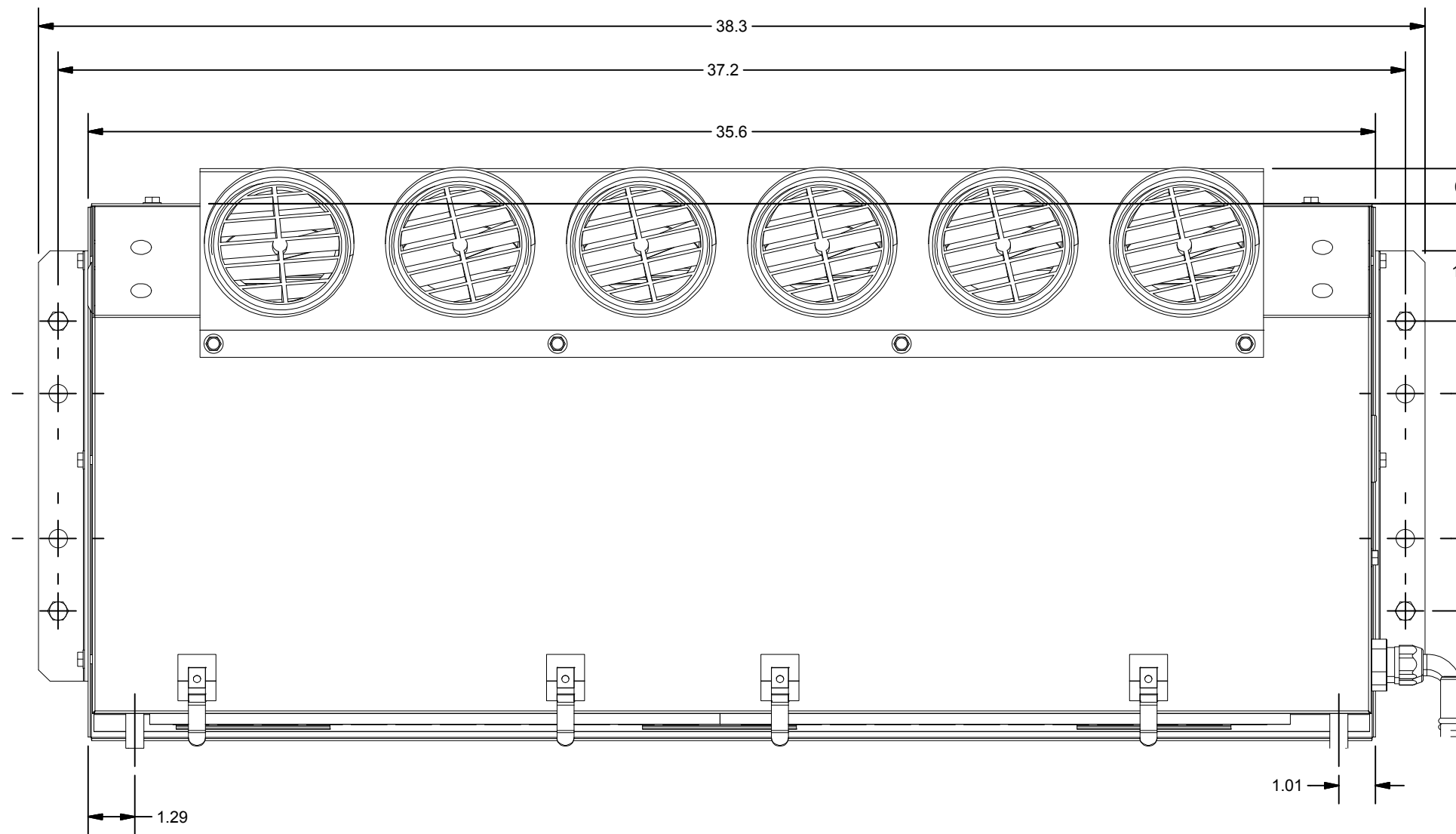
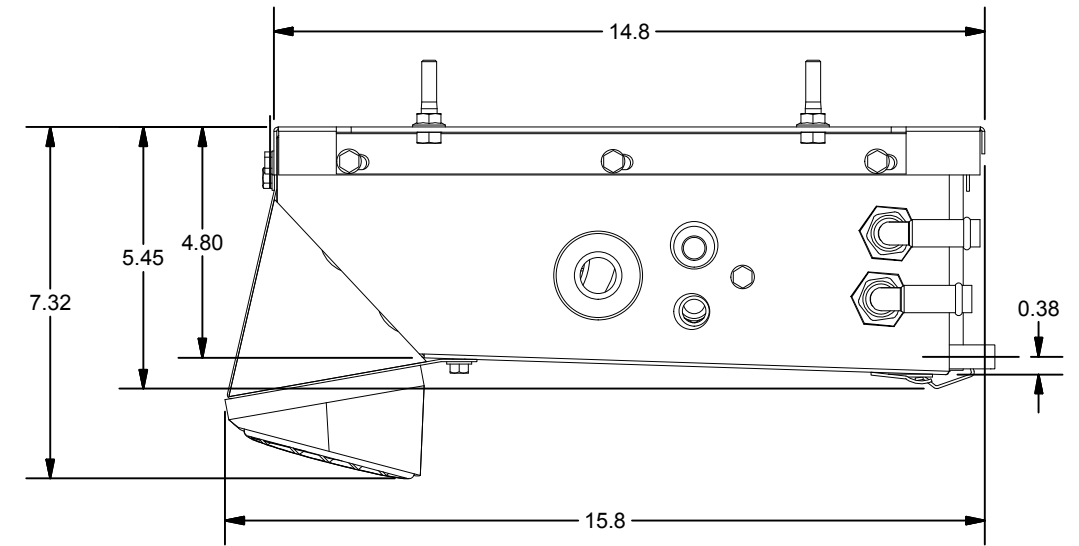
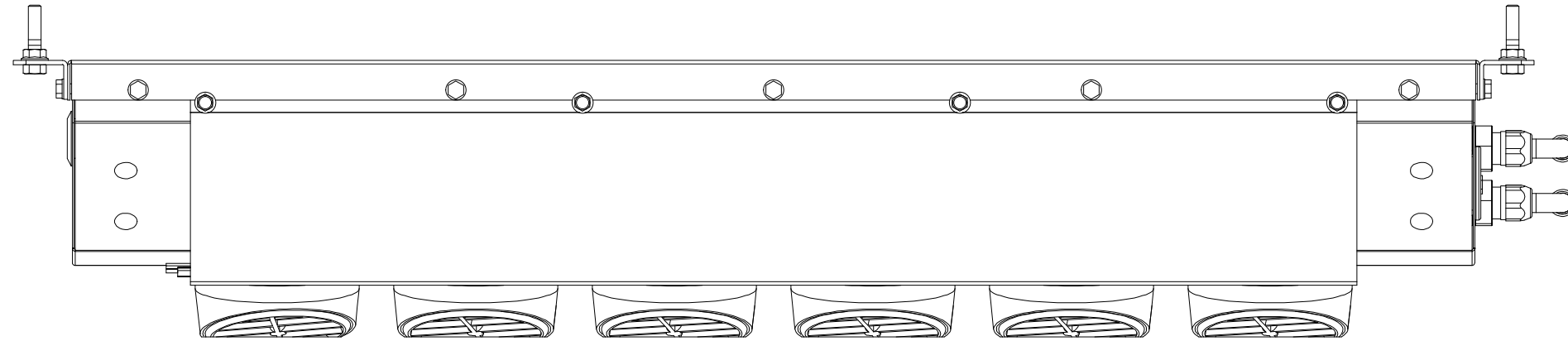
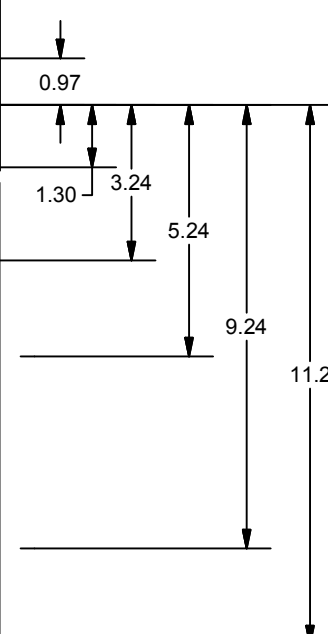


315-HCRS FOOTPRINT AND MOUNTING INFORMATION



Mounting Hole Spacing



Mounting Specifications	
Quantity	Description
4	5/16-18x1-1/2 HEX CAP
4	5/16 WHIZ NUT
8	1/2" DIA HOLE- NO THREADS



DTAC- HEAVY EQUIPMENT HEAT/COOL SYSTEMS

TITLE
315-HCRS FOOTPRINT AND MOUNTING INFORMATION

MODELED

JSHAW

DRAWN

jhamaker

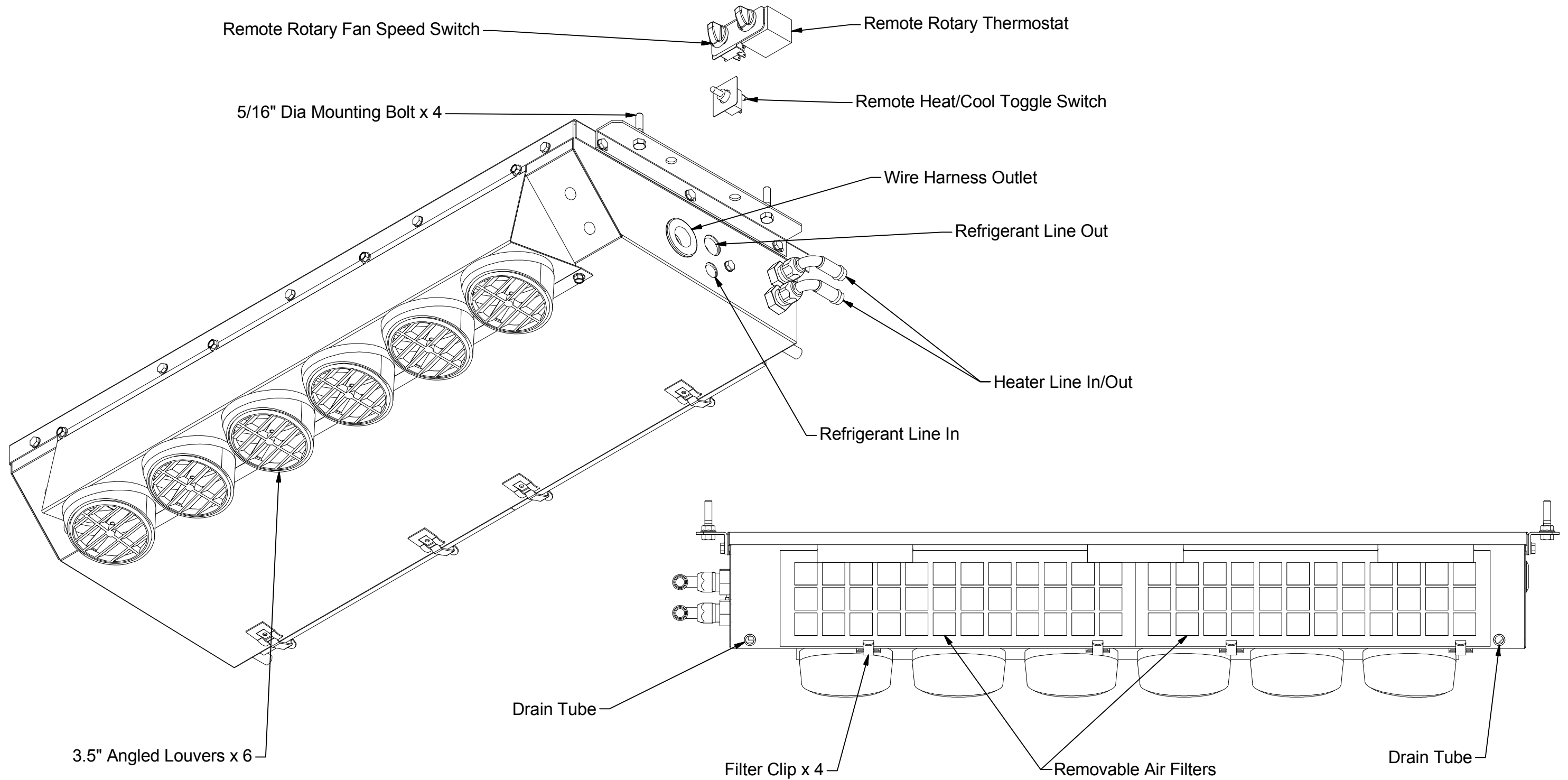
DWG NAME
315-HCRS Drawings.idw


SIZE
B

NOTE: ALL UNITS IN INCHES

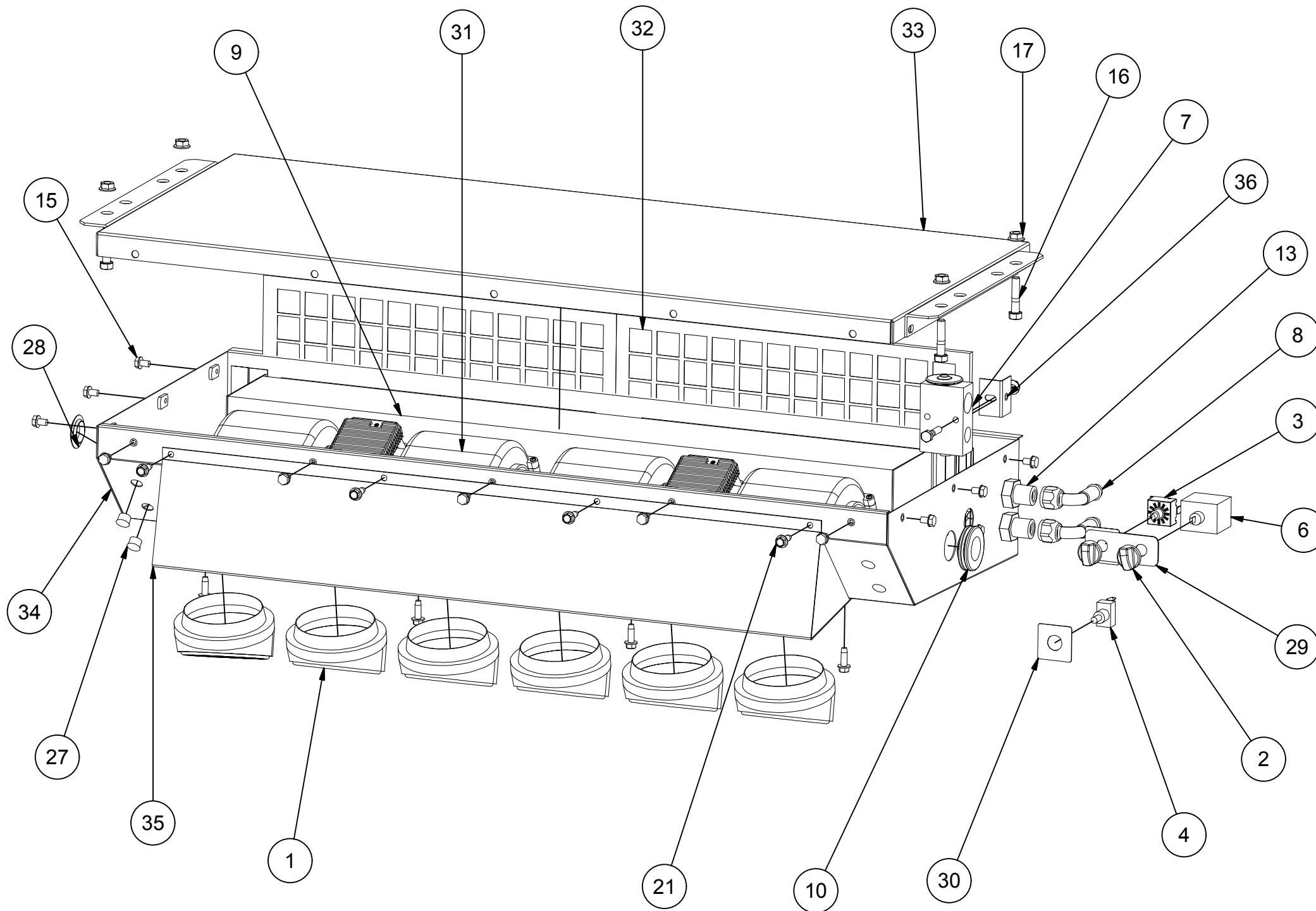
SHEET 1 OF 4

315-HCRS FEATURE SPECIFICATIONS



		DTAC- HEAVY EQUIPMENT HEAT/COOL SYSTEMS	
		TITLE 315-HCRS FEATURE SPECIFICATIONS	
MODELED		DWG NAME 315-HCRS Drawings.idw	
JSHAW		SIZE	NOTE: ALL UNITS IN INCHES
DRAWN	8/4/2011	B	
jhamaker			SHEET 2 OF 4

315-HCRS PARTS BREAKDOWN AND UNIT SPECIFICATIONS

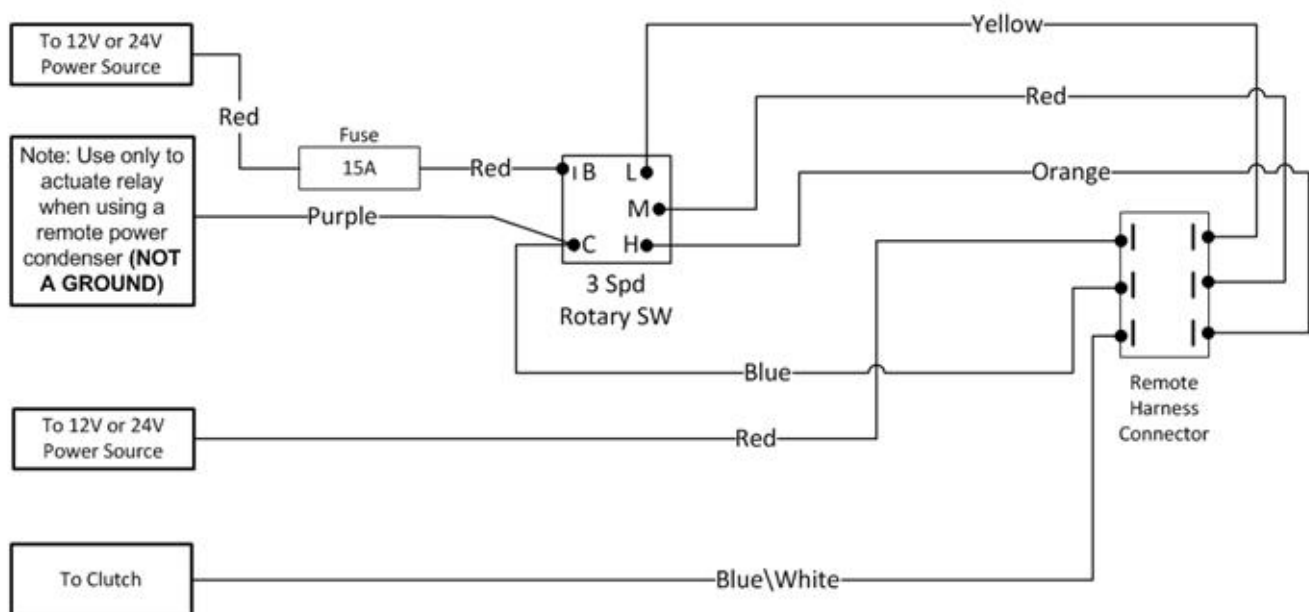


Parts Breakdown				
ITEM	QTY	DTAC NO.	DESCRIPTION	NOTE
1	6	02-16073	3.5" Angled Louver	
2	2	03-00165	Knob	
3	1	03-13006	Rotary 3-Speed Switch	
4	1	03-13020	Toggle Switch	
5	1	03-13029	40 Amp Circuit Breaker	1
6	1	03-14003	Rotary Thermostat	
7	1	04-15004	Block Expansion Valve	
8	2	05-00301	90 Degree Heater Fitting	
9	1	07-00315	Heat/Cool Evap Coil	
10	1	09-00621	One Inch Grommet	
11	2	09-04001	Hose Clamp 10/12	1
12	6	09-04012	#8 O-Ring	
13	2	09-50004	#8 MIO Bulkhead w Jam Nut	
14	15 ft	10-20012	Drain Hose, 1/2"	1
15	12	12-00003	1/4-20 X 3/8 Bolt	
16	4	12-00023	5/16-18 - 1.5	
17	4	12-00054	Whz Nut 5/16-18	
18	9	12-00056	#8X3/4 Tap Screw	
19	4	12-00059	Standard Switch Nut	
20	2	12-00060	Heat/Cool Switch Nut	
21	8	12-00117	Self Tap - 1/4-20 UNC - 0.75	
22	2	12-00123	Kazoo Drain Restrictor	1
23	1	12-00315RB	External CRT Harness	1
24	1	12-00315RS	Internal Wire Harness (Remote)	1
25	1	12-01874	1/2" Plastic Drain Tee	1
26	2	12-01875	1/2" Plastic Drain Elbow	1
27	4	12-02643	1/2" Button Plug	
28	1	12-02783	1" Button Plug	
29	1	12-50419	Faceplate	
30	1	12-50420	Face Plate - Heat/Cool	
31	2	30-51580	12V Blower Assembly	
32	2	31-50000	Filter 315	
33	1	31-50001	Lid	
34	1	31-50002	Housing	
35	1	31-50015	315 Louver Plenum	
36	1	50-50500	Expansion Valve Mnt Brkt	
-	-	Note 1	Part not shown	

UNIT SPECIFICATIONS						
BTU'S COOL	BTU'S HEAT	AIR FLOW	WEIGHT	MOTOR	CURRENT DRAW	DTAC NO.
22,000	33,000	410 CFM	48 LBS	2-12V	24 AMPS @ 13.6 VDC	315-12HCRS

DTAC [®]	DTAC- HEAVY EQUIPMENT HEAT/COOL SYSTEMS	
	TITLE 315-HCRS PARTS BREAKDOWN AND UNIT SPECIFICATIONS	
MODELED JSHAW	DWG NAME 315-HCRS Drawings.idw	
DRAWN jhamaker	8/4/2011	SIZE B
		NOTE: ALL UNITS IN INCHES
		SHEET 3 OF 4

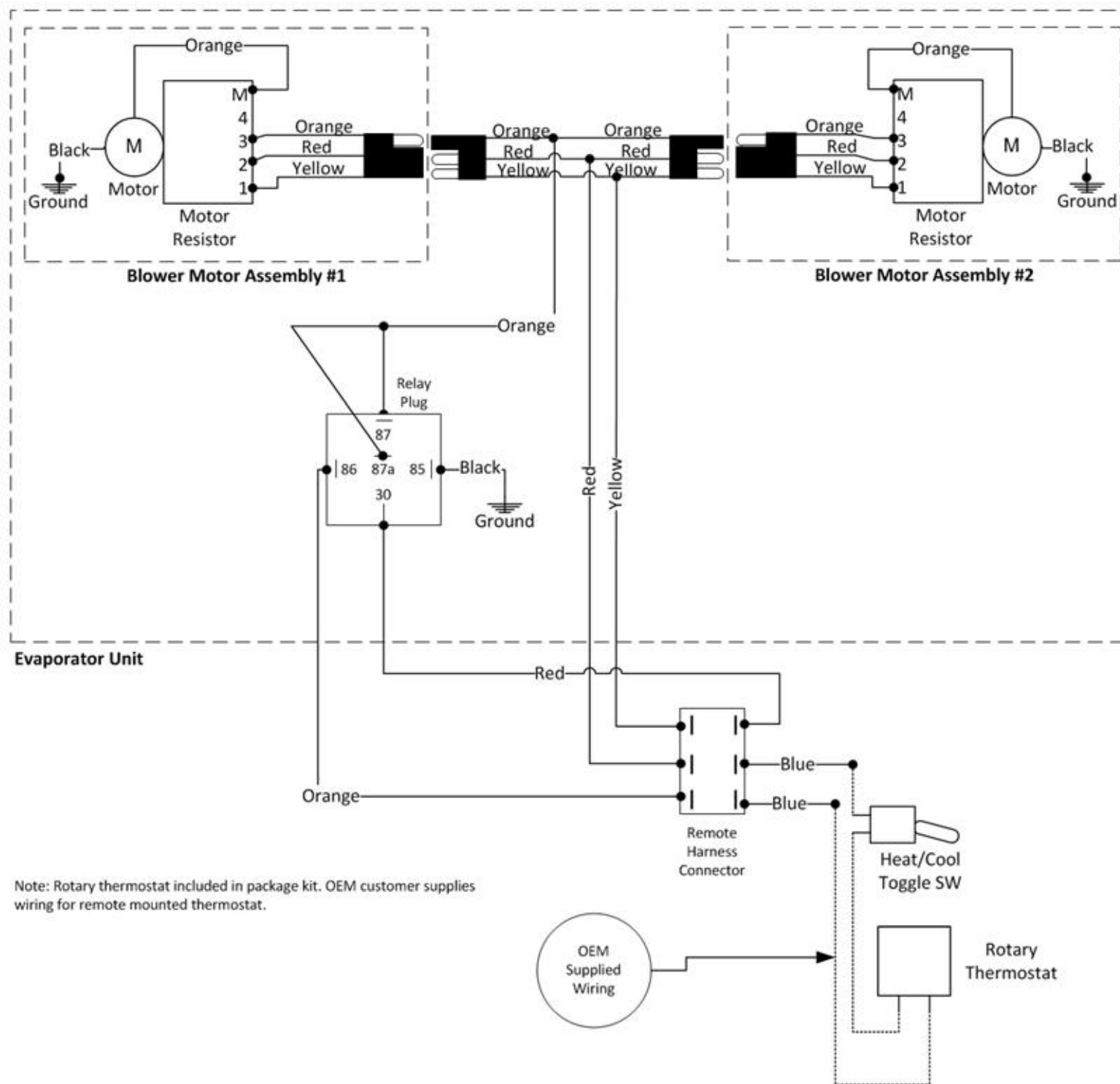
315-HCRS Series – Cool/Remote External Wire Diagram



NOTE:
One 24" piece of Red 10ga wire included to connect battery and circuit breaker (optional)
OEM customer supplies wiring for external mount rotary thermostat & H/C toggle switch. See 315-HCRS (Internal) wire diagram.

NOTE:
Short version of 315-CR (12-00315) harness – 14 feet long

315-HCRS Series Internal Wire Diagram



Note: Rotary thermostat included in package kit. OEM customer supplies wiring for remote mounted thermostat.



Manufacturer of Heavy Equipment Heat/Cool Systems
5130 Edgefield Ln, TX 76065 USA
Phone 1-800-527-9477 Fax 1-800-299-5972
www.dtac.com

12-00315RB Rev2
02.10.12



Manufacturer of Heavy Equipment Heat/Cool Systems
5130 Edgefield Ln, TX 76065 USA
Phone 1-800-527-9477 Fax 1-800-299-5972
www.dtac.com

12-00315RS rev2
02.09.12

SIZE
B

SHEET 4 OF 4