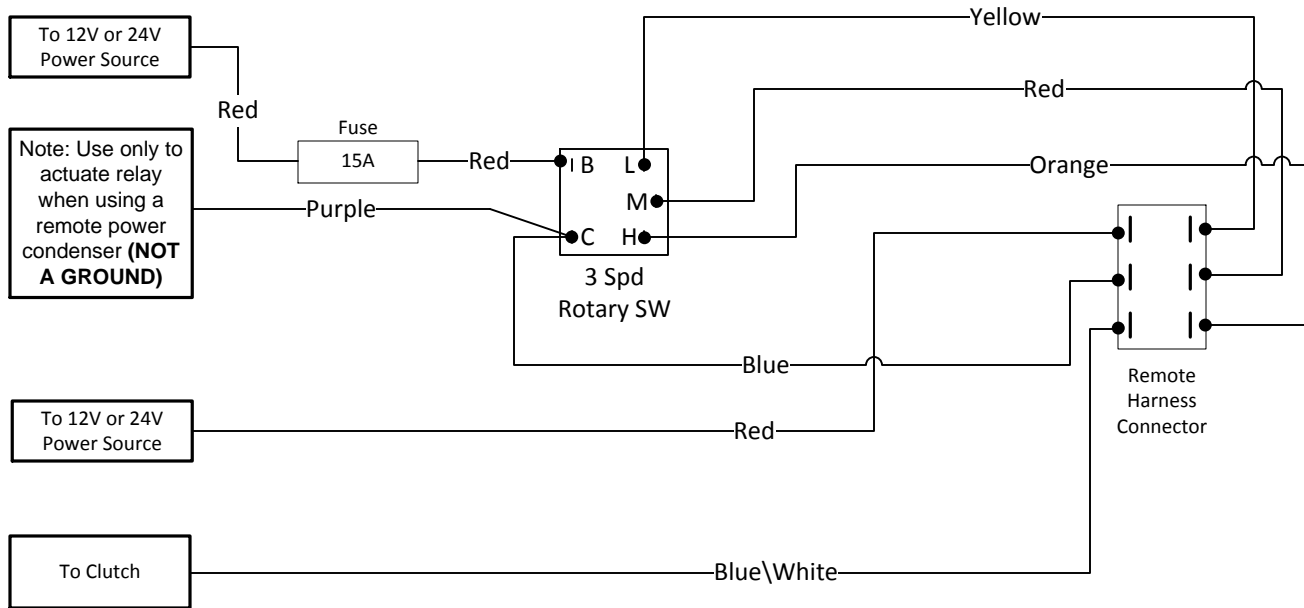


315-HCRS Series – Cool/Remote External Wire Diagram



NOTE:

One 24" piece of Red 10ga wire included to connect battery and circuit breaker (optional)
OEM customer supplies wiring for external mount rotary thermostat & H/C toggle switch. See 315-HCRS (Internal) wire diagram.

NOTE:

Short version of 315-CR (12-00315) harness – 14 feet long

