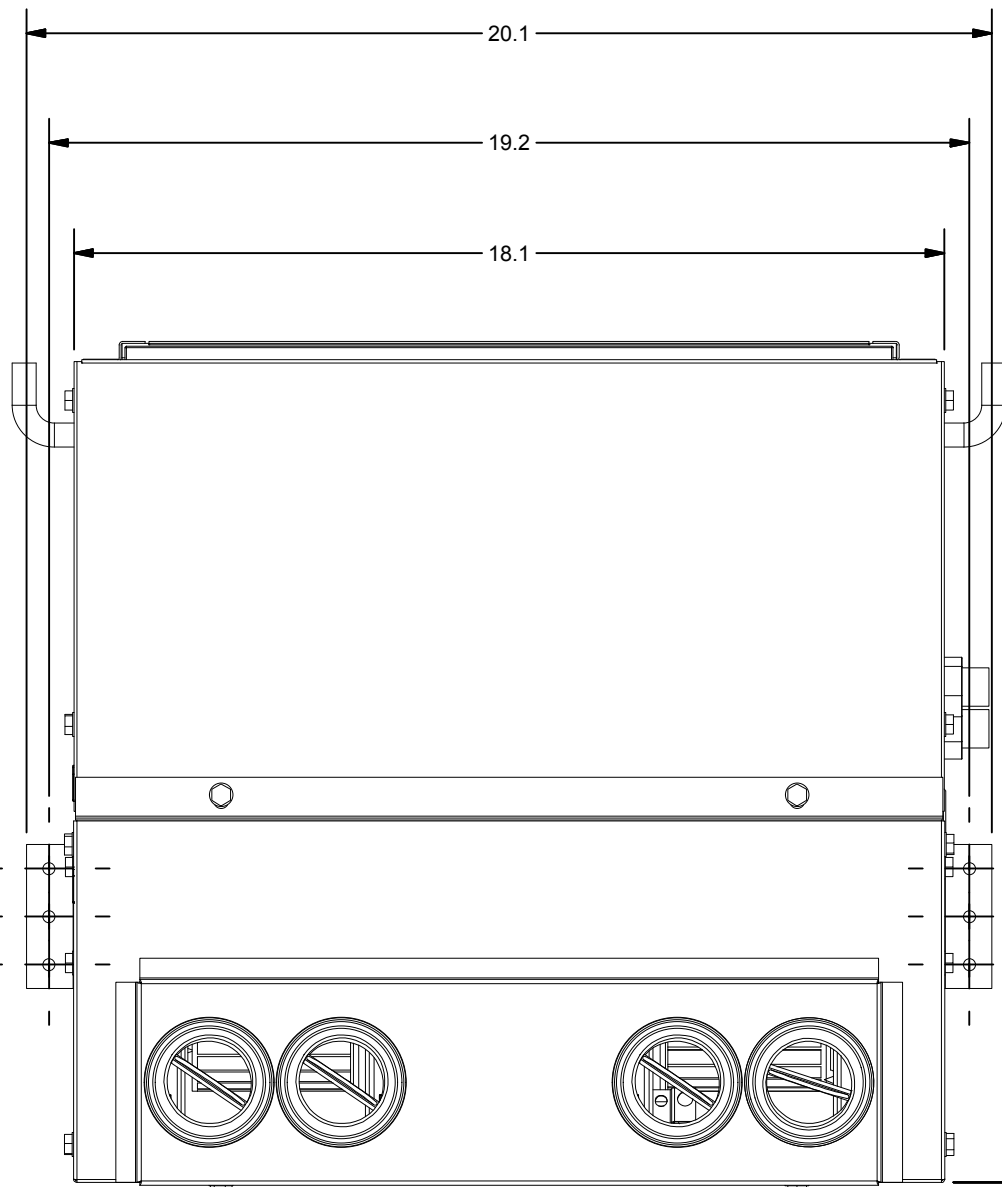
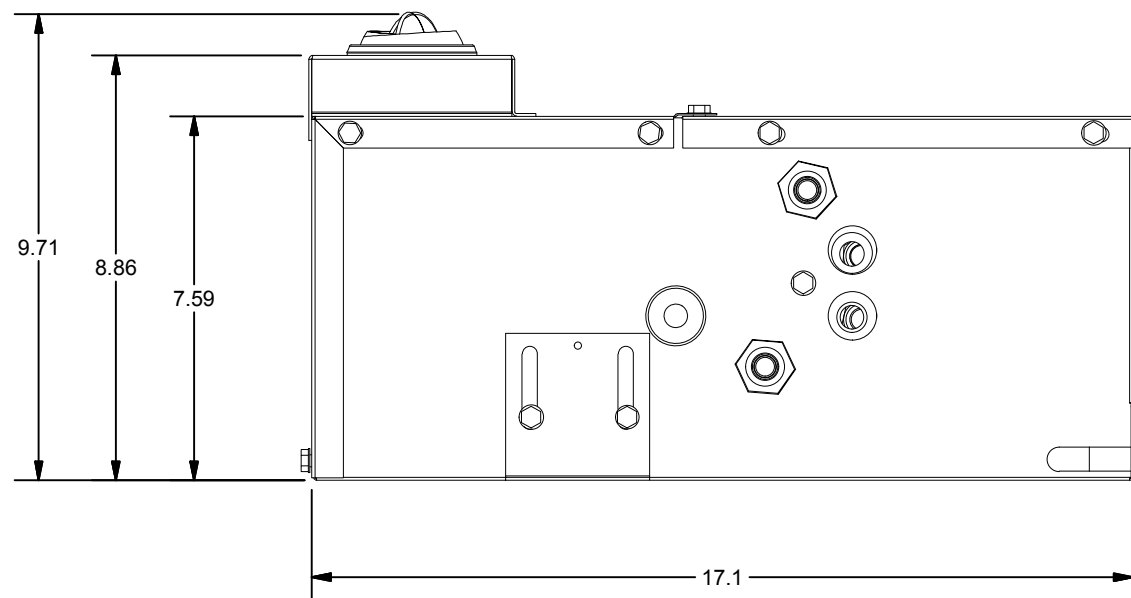
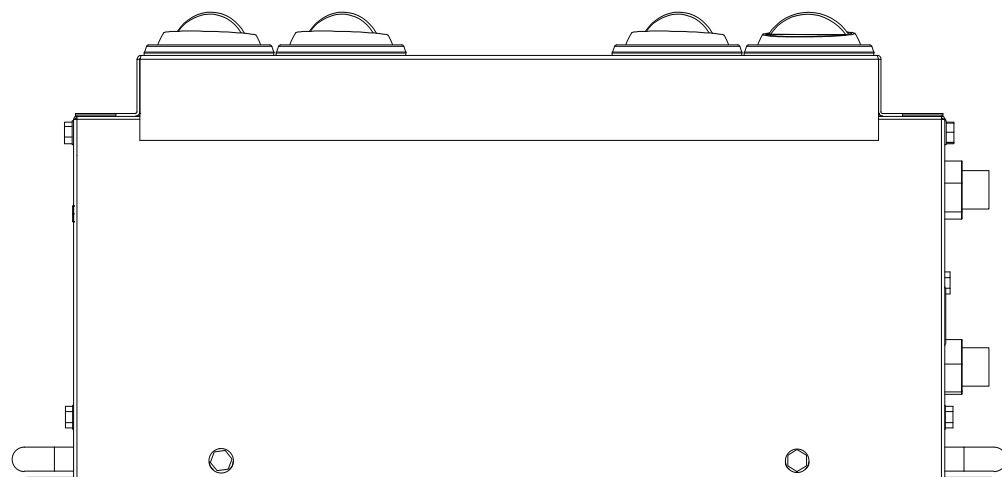
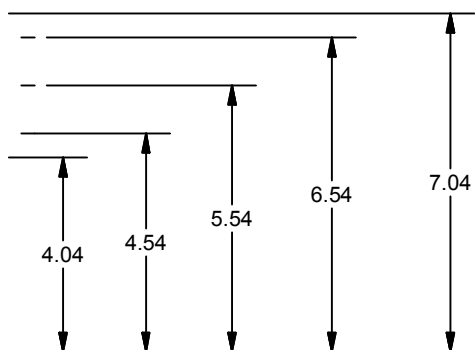



403 FOOTPRINT AND MOUNTING INFORMATION



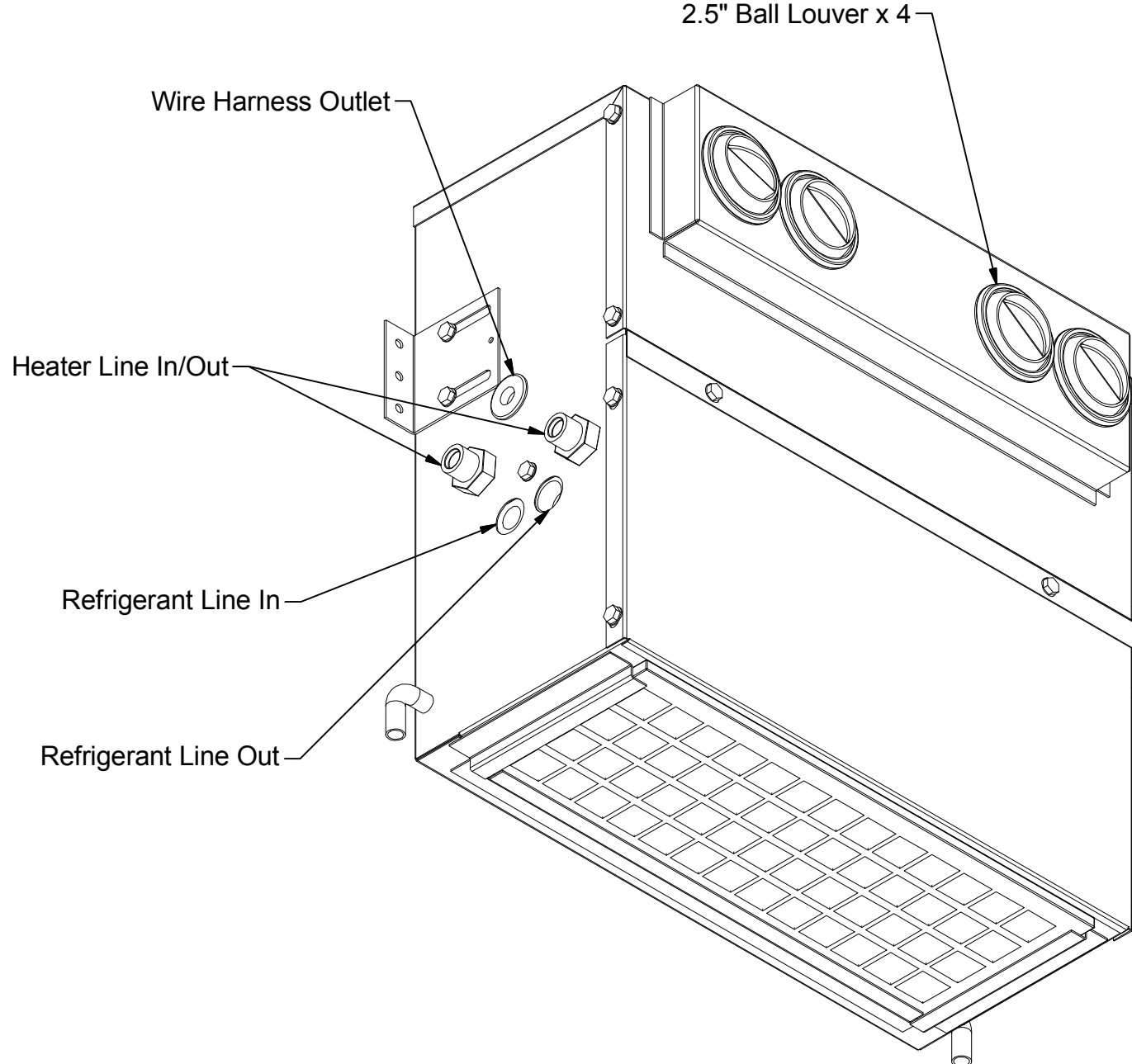
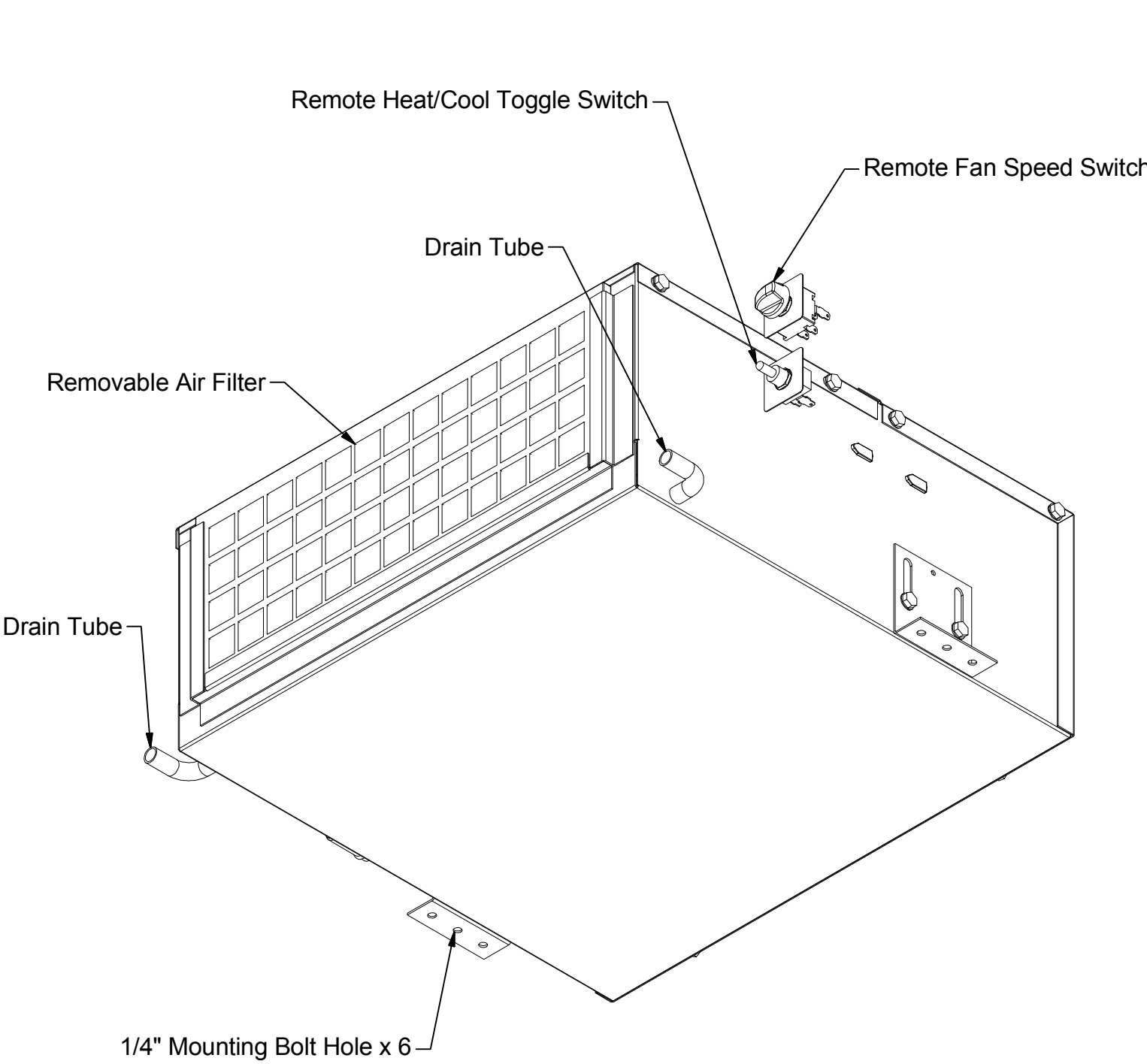
Mounting Hole Spacing



Mounting Specifications	
Quantity	Description
6	1/4" DIA HOLE- NO THREADS

		DTAC- HEAVY EQUIPMENT HEAT/COOL SYSTEMS	
		TITLE 403 FOOTPRINT AND MOUNTING INFORMATION	
MODELED JSHAW		DWG NAME 403 Drawings.idw	
DRAWN jhamaker	8/10/2011	SIZE B	NOTE: ALL UNITS IN INCHES

403 FEATURE SPECIFICATIONS

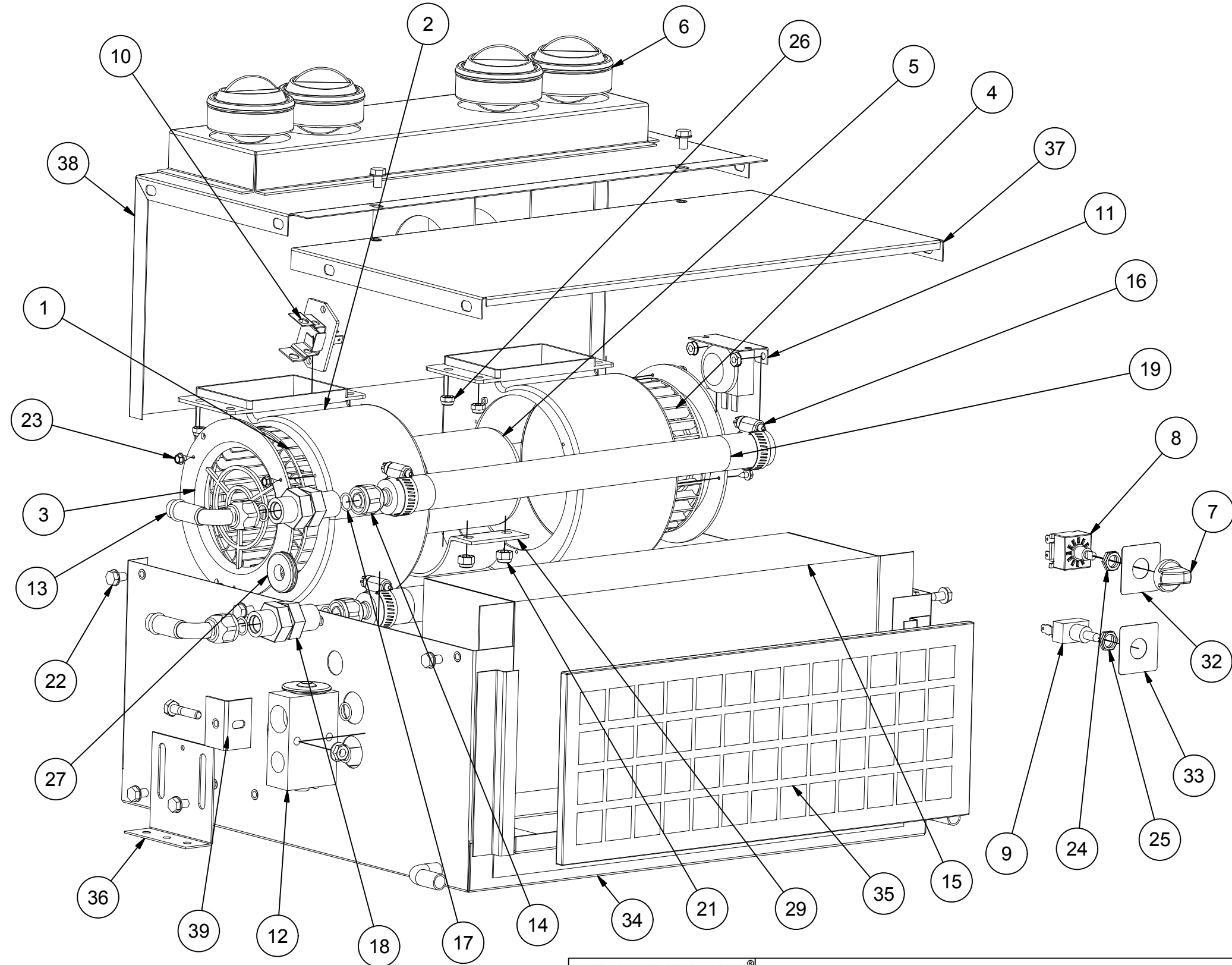


NOTE: Preset Thermostat is installed inside unit

DTAC [®]		DTAC- HEAVY EQUIPMENT HEAT/COOL SYSTEMS	
		TITLE 403 FEATURE SPECIFICATIONS	
MODELED		DWG NAME 403 Drawings.idw	
DRAWN		SIZE	NOTE: ALL UNITS IN INCHES
	8/10/2011	B	SHEET 2 OF 4

403 PARTS BREAKDOWN AND UNIT SPECIFICATIONS

Parts Breakdown				
ITEM	QTY	DTAC NO.	DESCRIPTION	NOTE
1	1	02-16039	Blower Wheel CCW 701	
2	2	02-16058	Blower Housing	
3	2	02-16059	Venturi for Blower Housing	
4	1	02-16400	Blower Wheel CW 701	
5	1	02-17018 or 02-17118	12V DS 1SP Motor or 24V DS 1SP Motor	
6	4	02-50169	2.5" Ball Louver	
7	1	03-00165	Knob	
8	1	03-13006	Rotary 3-Speed Switch	
9	1	03-13020	Toggle Switch	
10	1	03-13043	Resistor 3 Prong	
11	1	03-14013	Preset Thermostat	
12	1	04-15004	Block Expansion Valve	
13	2	05-00301	90 Degree Heater Fitting	
14	2	05-50818	Heater Fitting	
15	1	07-00913	Heat/Cool Coil	
16	4	09-04000	Hose Clamp #6/#8	
17	6	09-04012	#8 O-Ring	
18	2	09-50004	#8 MIO Bulkhead w Jam Nut	
19	2	10-00058	5/8 Heater Hose	
20	1	10-20012	Drain Hose (6ft)	1
21	4	12-00001	1/4 - 20 Nylon Nut	
22	17	12-00003	1/4-20 X 3/8 Bolt	
23	6	12-00024	#8 x 3/8 Hex Screw	
24	2	12-00059	Standard Switch Nut	
25	2	12-00060	Heat/Cool Switch Nut	
26	9	12-00061	10-24 Nylon Nut	
27	1	12-00116	One Inch Grommet	
28	2	12-00123	Kazoo Drain Restrictor	1
29	1	12-00130	Top Motor Mount	
30	1	12-00400	Wire Harness	1
31	2	12-01875	1/2 Plastic Elbow	1
32	1	12-50420	Face Plate - Heat/Cool	
33	1	12-50421	Face Plate - Air Increase	
34	1	40-00002	Housing	
35	1	40-00003	Intake Filter	
36	2	40-00004	Mounting Leg	
37	1	40-00016	Back Lid	
38	1	40-30015	Blower Lid	
39	1	50-50500	Expansion Valve Mnt Brkt	
-	-	Note 1	Part not shown	

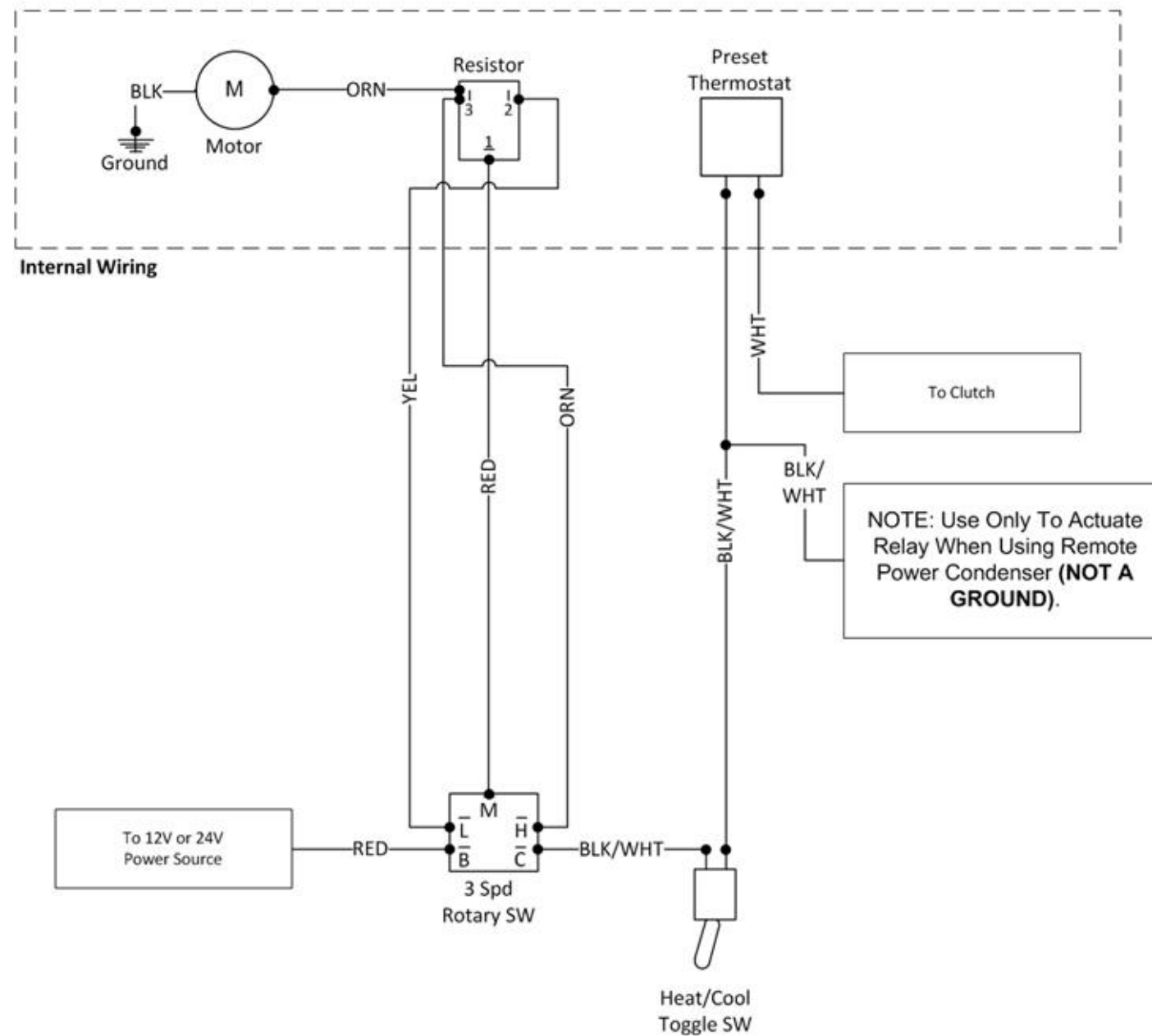


UNIT SPECIFICATIONS

BTU'S COOL	BTU'S HEAT	AIR FLOW	WEIGHT	MOTOR	CURRENT DRAW	DTAC NO.
26,000	26,000	405 CFM	30 LBS	1-12V	22.5 AMPS @ 13.6 VDC	403-12
"	"	"	"	1-24V	15 AMPS @ 27 VDC	403-24

DTAC		DTAC- HEAVY EQUIPMENT HEAT/COOL SYSTEMS	
		TITLE 403 PARTS BREAKDOWN AND UNIT SPECIFICATIONS	
MODELED JSHAW		DWG NAME 403 Drawings.idw	
DRAWN jhamaker	8/10/2011	SIZE B	NOTE: ALL UNITS IN INCHES
			SHEET 3 OF 4

402 & 403 Series Heat/Cool Wire Diagram



Note: Same harness used in 430 & 431 series



Manufacturer of Heavy Equipment Heat/Cool Systems
5130 Edgefield Ln, TX 76065 USA
Phone 1-800-527-9477 Fax 1-800-299-5972
www.dtac.com

12-00400
07.19.10

SIZE
B

SHEET 4 OF 4