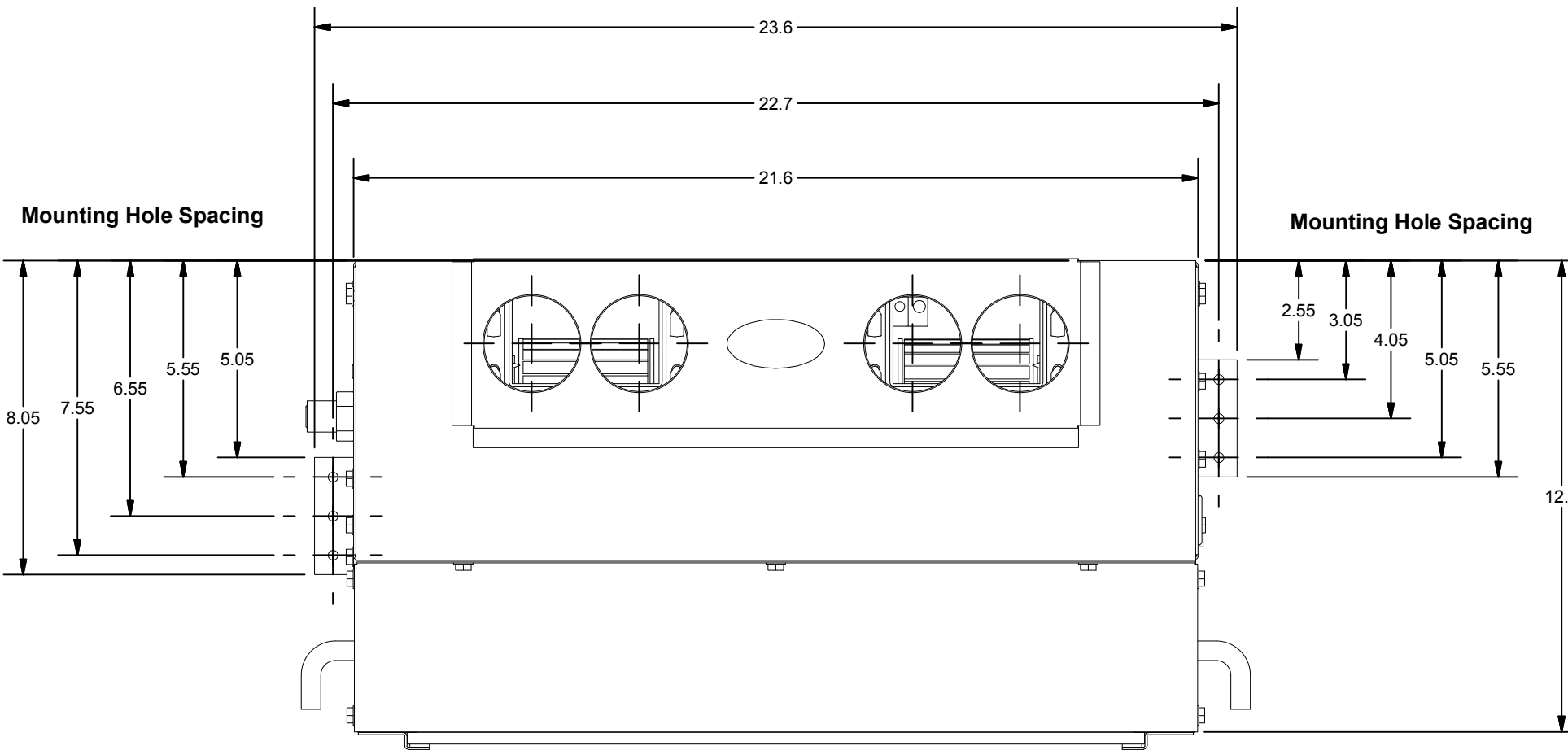
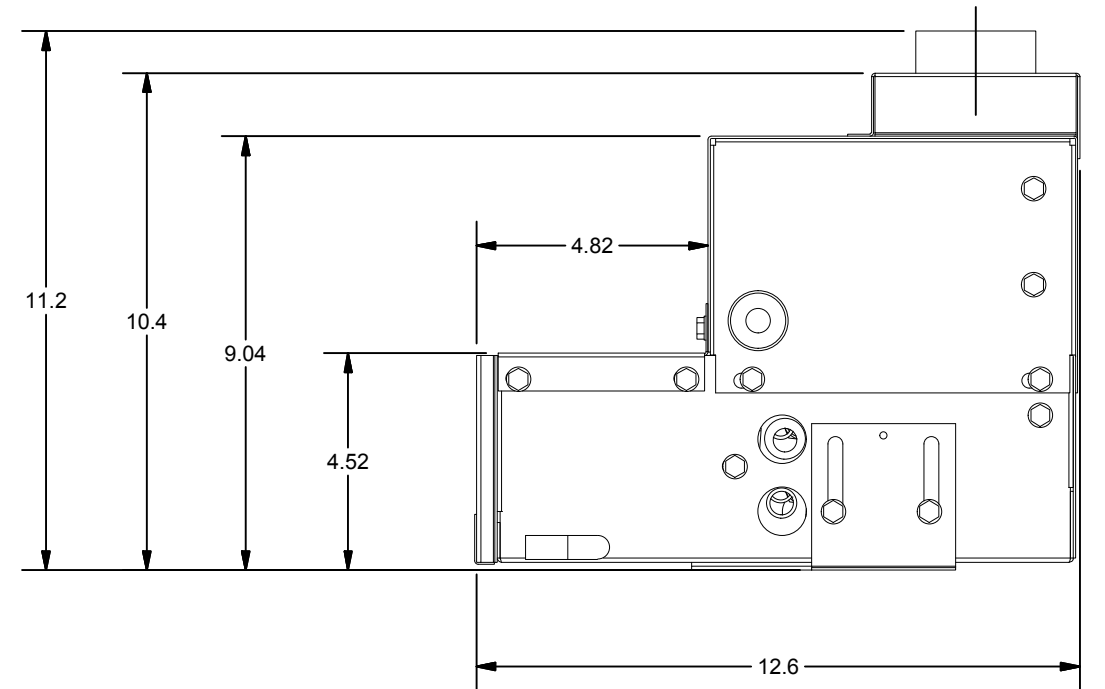
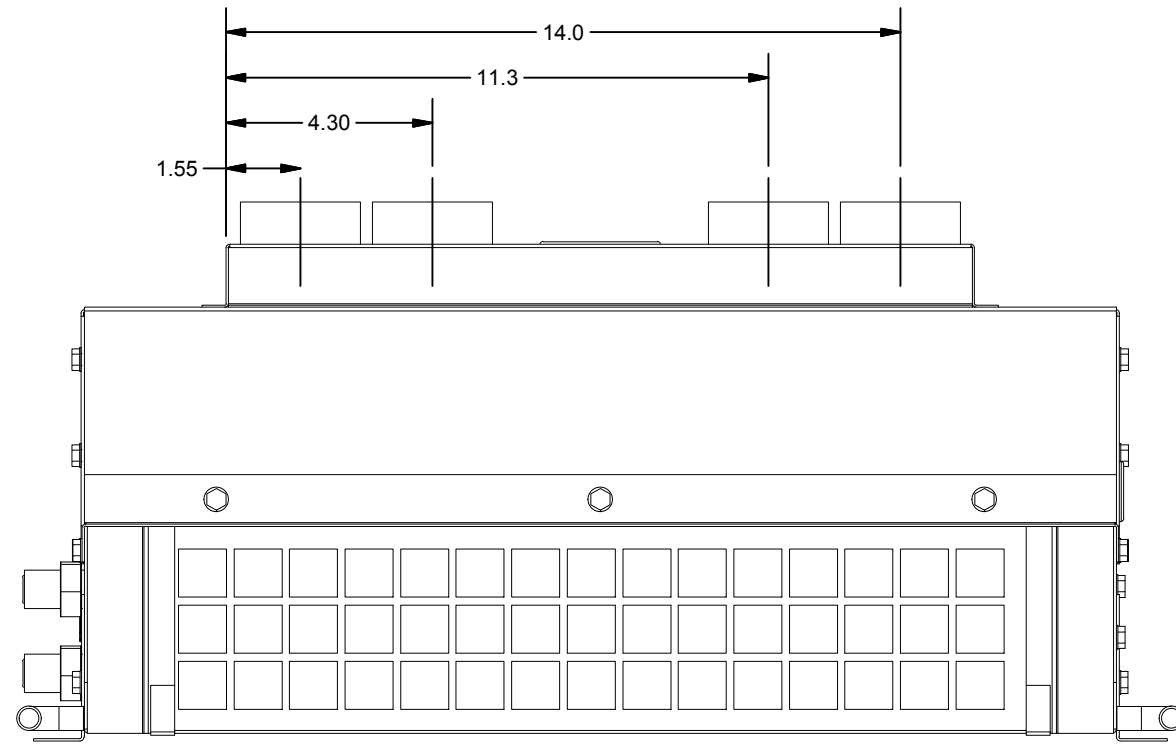


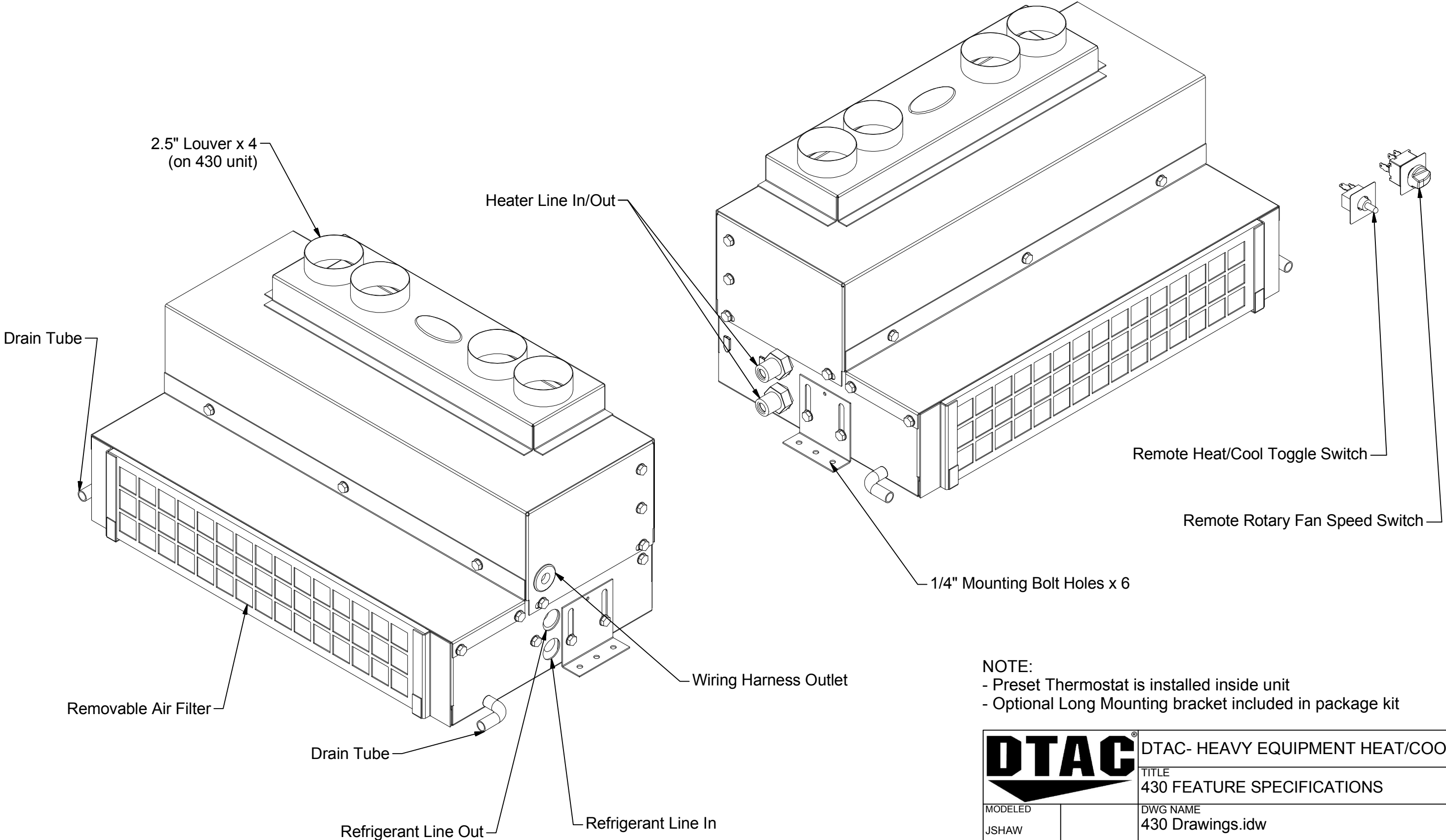
430 FOOTPRINT AND MOUNTING INFORMATION



Mounting Specifications	
Quantity	Description
6	1/4" DIA HOLE- NO THREADS

DTAC [®]		DTAC- HEAVY EQUIPMENT HEAT/COOL SYSTEMS	
		TITLE 430 FOOTPRINT AND MOUNTING INFORMATION	
MODELED JSHAW		DWG NAME 430 Drawings.idw	
DRAWN jhamaker	8/4/2011	SIZE B	NOTE: ALL UNITS IN INCHES
			SHEET 1 OF 4

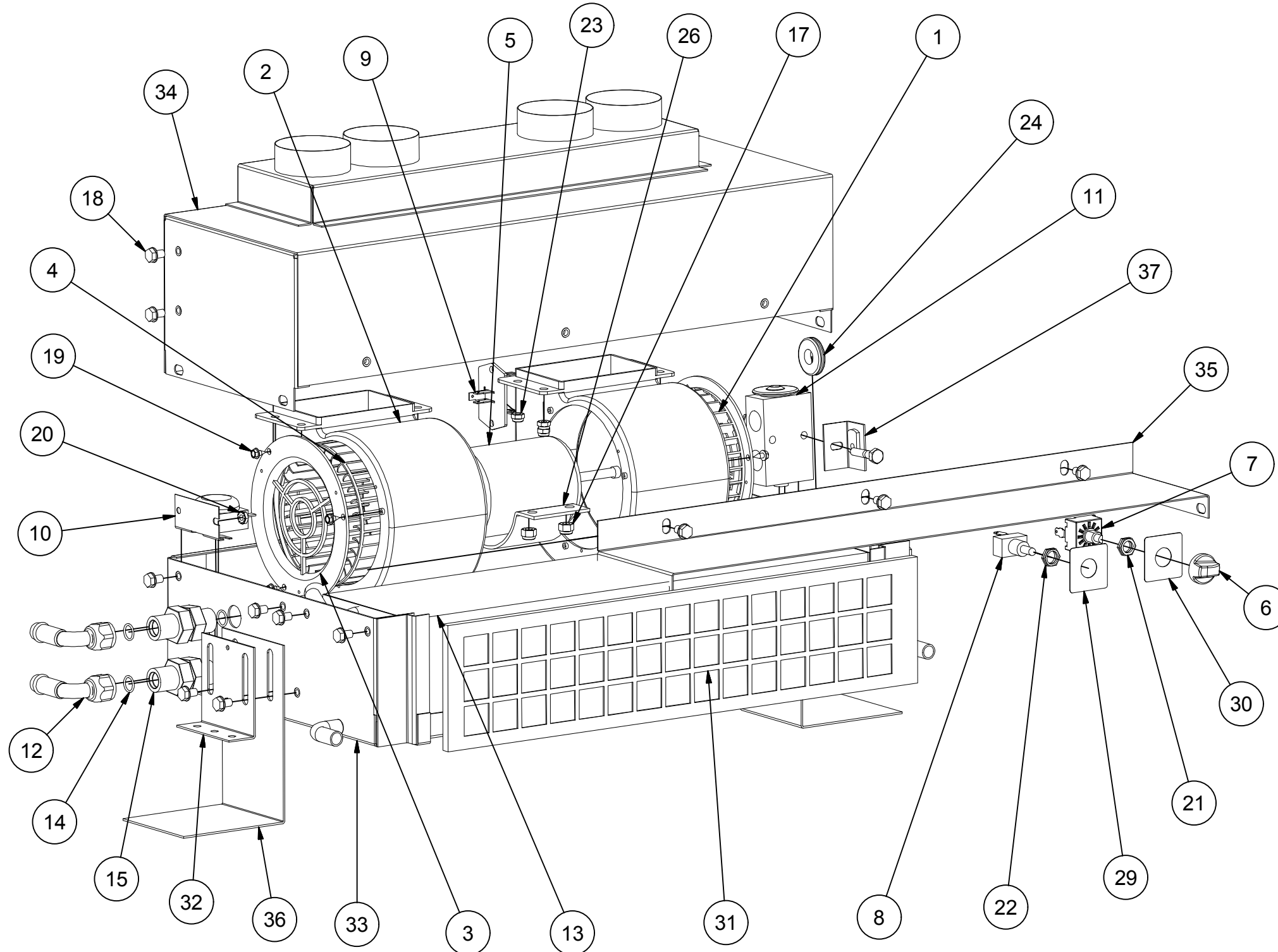
430 FEATURE SPECIFICATIONS



NOTE:
 - Preset Thermostat is installed inside unit
 - Optional Long Mounting bracket included in package kit

DTAC [®]		DTAC- HEAVY EQUIPMENT HEAT/COOL SYSTEMS	
		TITLE 430 FEATURE SPECIFICATIONS	
MODELED	JSHAW	DWG NAME 430 Drawings.idw	
DRAWN	jhamaker	SIZE B	NOTE: ALL UNITS IN INCHES
	8/4/2011		SHEET 2 OF 4

430 PARTS BREAKDOWN AND UNIT SPECIFICATIONS

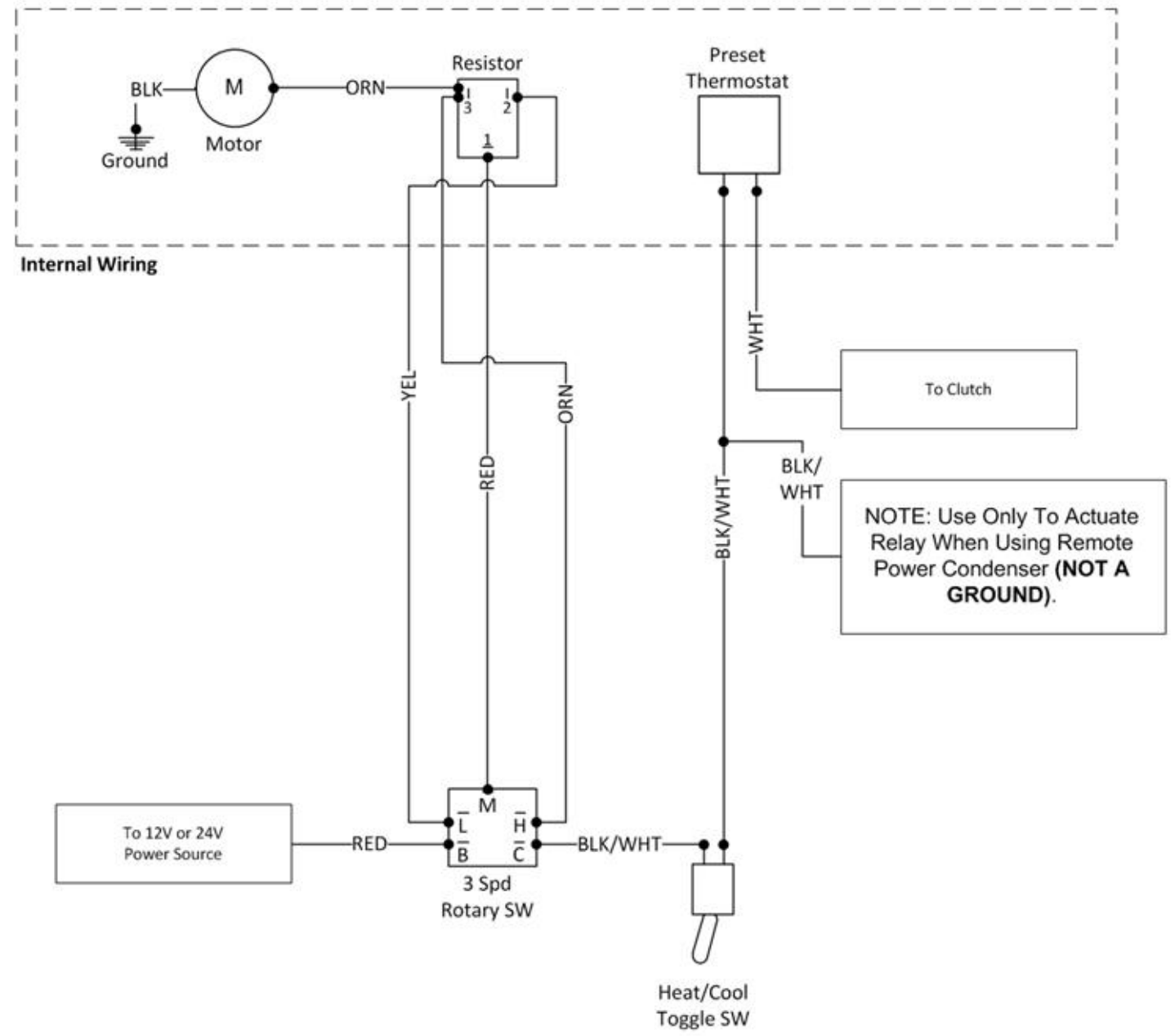


Parts Breakdown				
ITEM	QTY	DTAC NO.	DESCRIPTION	NOTE
1	1	02-16039	Blower Wheel CCW 701	
2	2	02-16058	Blower Housing	
3	2	02-16059	Venturi for Blower Housing	
4	1	02-16400	Blower Wheel CW 701	
5	1	02-17018 or 02-17118	12V DS 1SP Motor or 24V DS 1SP Motor	
6	1	03-00165	Knob	
7	1	03-13006	Rotary 3-Speed Switch	
8	1	03-13020	Toggle Switch	
9	1	03-13043	Resistor 3 Prong	
10	1	03-14013	Preset Thermostat	
11	1	04-15004	Block Expansion Valve	
12	2	05-00301	90 Degree Heater Fitting	
13	1	07-00301	Evaporator Coil	
14	6	09-04012	#8 O-Ring	
15	2	09-50004	#8 MIO Bulkhead w Jam Nut	
16	6 ft	10-20012	1/2" Drain Hose	1
17	4	12-00001	1/4 - 20 Nylon Nut	
18	21	12-00003	1/4-20 X 3/8 Bolt	
19	6	12-00024	#8 x 3/8 Hex Screw	
20	2	12-00041	10-24 Keps Nut	
21	2	12-00059	Standard Switch Nut	
22	2	12-00060	Heat/Cool Switch Nut	
23	9	12-00061	10-24 Nylock Nut	
24	1	12-00116	One Inch Grommet	
25	2	12-00123	Copper Kazzoo	1
26	1	12-00130	Top Motor Mount	
27	1	12-00400	Wire Harness	1
28	2	12-01875	1/2" Plastic Elbow	1
29	1	12-50420	Face Plate - Heat/Cool	
30	1	12-50421	Face Plate - Air Increase	
31	1	30-50253	Intake Filter, 18.875 x 4.25	
32	2	40-00004	Short Mounting Brkt	
33	1	43-00001	Bottom Housing	
34	1	43-00002	Blower Lid	
35	1	43-00003	Coil Lid	
36	2	43-00006	Long Mount Brkt	
37	1	50-50500	Expansion Valve Mnt Brkt	
-	-	Note 1	Part not shown	

UNIT SPECIFICATIONS						
BTU'S COOL	BTU'S HEAT	AIR FLOW	WEIGHT	MOTOR	CURRENT DRAW	DTAC NO.
20,200	16,000	395 CFM	34 LBS	1-12V	22.5 AMPS @ 13.6 VDC	430-12
"	"	"	"	1-24V	15 AMPS @ 27 VDC	430-24

DTAC [®]	DTAC- HEAVY EQUIPMENT HEAT/COOL SYSTEMS	
	TITLE 430 PARTS BREAKDOWN AND UNIT SPECIFICATIONS	
MODELED JSHAW	DWG NAME 430 Drawings.idw	
DRAWN jhamaker	8/4/2011	SIZE B
		NOTE: ALL UNITS IN INCHES
		SHEET 3 OF 4

430 & 431 Series Heat/Cool Wire Diagram



Note: Same harness used in 402 & 403 series



Manufacturer of Heavy Equipment Heat/Cool Systems
5130 Edgefield Ln, TX 76065 USA
Phone 1-800-527-9477 Fax 1-800-299-5972
www.dtac.com

12-00400
07.19.10