

# Table of Contents

## Categorized Listing

<b>SECTION 01</b>	<b>7</b>	RELAYS	39
<b>COMPRESSORS</b>	<b>8</b>	RESISTORS	39
COMPRESSOR MOUNTING OPTIONS	8	<b>THERMOSTATS</b>	<b>40</b>
DIRECT MOUNT HOLE SPACING CHART	8	CABLE CONTROLLED THERMOSTATS	40
SANDEN COMPRESSOR CYLINDER HEADS	9	FIXED THERMOSTATS	40
ICE/TAMA - 134a COMPRESSORS	10	ROTARY THERMOSTATS	40
<b>TM15HD</b>	<b>10</b>	<b>SECTION 04</b>	<b>41</b>
<b>TM16HD</b>	<b>10</b>	<b>EXPANSION VALVES</b>	<b>42</b>
<b>TM21HD</b>	<b>10</b>	BLOCK TYPE EXPANSION VALVES	42
NIPPONDESO AFTERMARKET COMPRESSORS	10	EXTERNALLY EQUALIZED EXPANSION VALVES	42
NEW GM S6 COMPRESSORS	10	INTERNALLY EQUALIZED EXPANSION VALVES	43
SANDEN - 134a COMPRESSORS	11	EXPANSION TUBES	43
<b>SD5H14</b>	<b>11</b>	<b>SECTION 05</b>	<b>45</b>
<b>SD7H15 FLX</b>	<b>11</b>	<b>HEATER FITTINGS</b>	<b>46</b>
<b>SD7H15</b>	<b>12</b>	HEATER HOSE TO FEMALE O-RING FITTINGS	46
YORK SQUARE TYPE	12	HEATER HOSE TO MALE PIPE FITTINGS	46
COMPRESSOR PHOTOS	13	HEATER SPLICERS & Y-FITTINGS	47
<b>COMPRESSOR CLUTCHES</b>	<b>18</b>	<b>WATER VALVES</b>	<b>47</b>
ICE/TAMA CLUTCHES	18	HEATER SHUT OFF WATER VALVES	47
NIPPONDENSO CLUTCHES	18	CABLE OPERATED WATER VALVES	47
SANDEN CLUTCHES	18	ELECTRICALLY OPERATED WATER VALVES	48
YORK CLUTCHES	19	MANUALLY OPERATED WATER VALVES	48
<b>COMPRESSOR FITTINGS &amp; ADAPTERS</b>	<b>20</b>	<b>SECTION 06</b>	<b>49</b>
COMPRESSOR ADAPTERS	20	ACCUMULATORS	50
CATERPILLER COMPRESSOR FITTINGS	20	DRIER BRACKETS	50
R134a SERVICE PORT ADAPTERS	20	DRIER ADAPTERS	50
SERVICE VALVES	20	DRIER FITTINGS	50
<b>COMPRESSOR MANIFOLDS</b>	<b>22</b>	RECEIVER DRIER	51
ICE/TAMA COMPRESSOR MANIFOLDS	22	<b>SECTION 07</b>	<b>57</b>
NIPPONDENSO COMPRESSOR MANIFOLDS	22	<b>COILS</b>	<b>58</b>
SANDEN FLX7 COMPRESSOR MANIFOLDS	22	CONDENSER MOUNTING BRACKETS	58
<b>COMPRESSOR PARTS &amp; ACCESSORIES</b>	<b>23</b>	RADIATOR MOUNTED CONDENSER - MULTIFLOW	58
CAPS	23	RADIATOR MOUNTED CONDENSER - TUBE & FIN	58
IDLER PULLEYS & ACCESSORIES	24	COIL MEASUREMENT GUIDE	59
O-RINGS	24	DTAC REPLACEMENT CONDENSER COILS	59
SHAFT KEY	24	<b>COILS</b>	<b>60</b>
VALVE CORE	24	DTAC REPLACEMENT EVAPORATOR COILS	60
<b>SECTION 02</b>	<b>25</b>	DTAC REPLACEMENT HEATER COILS	62
<b>BLOWER WHEELS &amp; FAN BLADES</b>	<b>26</b>	<b>SECTION 08</b>	<b>63</b>
BLOWER WHEELS	26	<b>OILS &amp; REFRIGERANTS</b>	<b>64</b>
FAN BLADES	26	ESTER OIL	64
<b>LOUVERS &amp; DUCTING</b>	<b>27</b>	A/C FLUSH	64
DUCT HOSE CONNECTORS	27	PAG OIL	64
LOUVERS	27	<b>SECTION 09</b>	<b>65</b>
<b>MOTOR &amp; FAN ASSEMBLIES</b>	<b>29</b>	<b>BEADLOCK FITTINGS</b>	<b>66</b>
LOW PROFILE FAN ASSEMBLIES	29	FEMALE FLARE, STRAIGHT	66
AUXILIARY DASH FAN	29	FEMALE FLARE, 45°	66
BLOWER ASSEMBLIES	30	FEMALE FLARE, 90°	66
DOUBLE SHAFT MOTORS	31	MALE FLARE, STRAIGHT	66
SINGLE SHAFT MOTORS	32	MALE FLARE, 45°	66
<b>SECTION 03</b>	<b>33</b>	<b>BEADLOCK FITTINGS</b>	<b>67</b>
<b>SWITCHES</b>	<b>34</b>	MALE FLARE, 90°	67
TOGGLE SWITCHES	34	FEMALE O-RING, STRAIGHT	67
LEVER SWITCHES	34	FEMALE O-RING, 45°	67
ROCKER SWITCHES	34	FEMALE O-RING, 90°	68
ROTARY SWITCHES	34	FEMALE O-RING, 180°	68
<b>SWITCHES</b>	<b>35</b>	MALE O-RING, STRAIGHT	69
FACE PLATES	35	MALE O-RING, 45°	69
KNOBS	35	MALE O-RING, 90°	69
BINARY PRESSURE SWITCHES	36	MALE O-RING, 180°	69
TRINARY PRESSURE SWITCHES	37	MALE INSERT O-RING, STRAIGHT	69
HIGH & LOW PRESSURE SWITCHES	37	MALE INSERT O-RING, 45°	70
AIR SENSING SWITCHES	38	MALE INSERT O-RING, 90°	70
AIR SOLENOID SWITCHES	38	COMPRESSION FITTING, STRAIGHT	70
CYCLING SWITCHES	38	COMPRESSION FITTING, 90°	70
FREON SOLENOID SWITCHES	38	SPLICERS, STRAIGHT	70
CIRUIT BREAKERS	38	SPLICERS, 90°	71
		SPLICERS, 180°	71
		SPLICERS, TEE-SPLICER	71

# Table of Contents

## Categorized Listing

TEE FITTING	71	315-C Series	95
<b>PUSH ON BARB FITTINGS</b>	<b>72</b>	315-CR Series	96
FEMALE FLARE, STRAIGHT BARB	72	315-HC Series	97
FEMALE FLARE, 90° BARB	72	315-HCR Series	98
FEMALE O-RING, STRAIGHT BARB	72	331 Series	99
FEMALE O-RING, 45° BARB	72	402 Series	100
FEMALE O-RING, 90° BARB	72	403 Series	101
<b>PUSH ON BARB FITTINGS</b>	<b>73</b>	430 Series	102
MALE O-RING, STRAIGHT BARB	73	431 Series	103
MALE O-RING, 45° BARB	73	500-C Series	104
MALE O-RING, 90° BARB	73	500-HC Series	105
SPLICERS, STRAIGHT BARB	73	502 Series	106
COMPRESSION FITTING, STRAIGHT BARB	74	505-HC Series	107
<b>ADAPTER FITTINGS</b>	<b>75</b>	701 Series	108
134a RETROFIT SPLICERS	75	702 Series	109
90° ORING TO ORING	75	707 Series	110
FEMALE FLARE TO MALE O-RING	75	800 Series	111
O-RING TO FLARE	75	800-C & HC Series	112
TEE FITTING	75	822 & 823 Series HC Series	113
<b>BULKHEAD FITTINGS</b>	<b>75</b>	822 & 823 HC Series Continued	114
<b>HOSE CLAMPS</b>	<b>76</b>	<b>HEATERS</b>	<b>115</b>
<b>EVAPORATOR REPAIR FITTING</b>	<b>76</b>	210 & 211 Series	115
<b>FERRULES</b>	<b>76</b>	215 Series	116
<b>GROMMET &amp; HOLE LINERS</b>	<b>76</b>	217 Series	117
<b>ORINGS</b>	<b>76</b>	<b>PRESSURIZERS</b>	<b>118</b>
<b>SECTION 10</b>	<b>77</b>	602 & 603 Series	118
<b>HOSE</b>	<b>78</b>	<b>REMOTE CONDENSERS</b>	<b>119</b>
DRAIN HOSE	78	34002 Series	119
DRAIN HOSE FITTINGS	78	34006 Series	120
DUCT HOSE	78	34008 & 34010 Series	121
PROTECTIVE HOSE COVER	78	35002 Series	122
HEATER HOSE	78	36001 Series	123
PARKER BARRIER REFRIGERATION HOSE	78	36002 Series	124
PARKER REDUCE O.D. BARRIER REFRIGERATION HOSE	78	36005 Series	125
<b>SECTION 11</b>	<b>79</b>	78000 Series	126
<b>CRIMPING TOOLS</b>	<b>80</b>	<b>ELECTRIC DRIVEN COMPRESSORS</b>	<b>127</b>
<b>ELECTRONIC SCALES</b>	<b>80</b>	220 Series	127
<b>LEAK DETECTORS</b>	<b>80</b>	<b>HYDRAULIC COMPRESSORS</b>	<b>128</b>
<b>CHARGING HOSES</b>	<b>81</b>	01-49200 Series	128
R134a COUPLERS	81		
R134a HOSES	81		
SERVICE HOSE REPLACEMENT PARTS	81		
<b>MANIFOLDS</b>	<b>81</b>		
R-12 MANIFOLDS	81		
R134a MANIFOLDS	81		
R134a REPLACEMENT GAUGES	82		
<b>MISCELLANEOUS ACCESSORIES</b>	<b>82</b>		
<b>O-RING ASSORTMENT</b>	<b>83</b>		
<b>THERMOMETERS</b>	<b>83</b>		
<b>VACUUM PUMP &amp; ACCESSORIES</b>	<b>84</b>		
<b>VALVE CORE TOOLS</b>	<b>84</b>		
<b>SECTION 12</b>	<b>85</b>		
<b>REPLACEMENT AIR FILTERS</b>	<b>86</b>		
<b>REMOTE MOUNT FILTERS</b>	<b>86</b>		
11-52104	86		
11-52113	86		
11-52105	87		
11-52108	87		
11-53906	87		
11-53910	88		
<b>UNITS</b>	<b>89</b>		
<b>EVAPORATORS</b>	<b>90</b>		
141 Series	90		
300 Series	91		
301 Series	92		
305 Series	93		
310 Series	94		



**We're here to serve you...**

Management	
Bob Watts	<a href="mailto:bwatts@dtac.com">bwatts@dtac.com</a>
Marc Davis - Manufacturing	<a href="mailto:mdavis@dtac.com">mdavis@dtac.com</a>
Outside Sales	
Chuck Parks	<a href="mailto:cparks@dtac.com">cparks@dtac.com</a>
Kris Clopton	<a href="mailto:kclopton@dtac.com">kclopton@dtac.com</a>
Inside Sales	
Kenny Woodall	<a href="mailto:kwoodall@dtac.com">kwoodall@dtac.com</a>
Hank Jordan	<a href="mailto:hjordan@dtac.com">hjordan@dtac.com</a>
Cameron Woodall	<a href="mailto:cwoodall@dtac.com">cwoodall@dtac.com</a>
Accounts Payable/Receivable	
Chase Watts	<a href="mailto:cwatts@dtac.com">cwatts@dtac.com</a>
Shipping & Receiving	
Chris Jaramillo	<a href="mailto:cjaramillo@dtac.com">cjaramillo@dtac.com</a>
Inventory Control	
Ryan Morrison	<a href="mailto:rmorrison@dtac.com">rmorrison@dtac.com</a>
Manufacturing	
Justin Shaw	<a href="mailto:jshaw@dtac.com">jshaw@dtac.com</a>
Marketing	
Pamela Edwards	







---

## POLICY STATEMENT

### PAYMENT TERMS

Terms are net 30 days from date of invoice, payable to our home office, 5130 Edgefield Ln., Midlothian, TX 76065. **Accounts with invoices over 45 days old are placed on credit hold, without notification.**

**DTAC accepts Visa, Mastercard and American Express.**

### PRICING

Prices are subject to change without notice. DTAC will try to keep our customer base updated when possible.

### SHIPPING TERMS, CONDITIONS AND FREIGHT POLICY

1. Orders with a total of \$5,000.00 or more will be considered for prepaid shipment. Each order less than \$5,000.00 will be shipped collect. Excludes equipment manufacturer and international orders.
2. All air shipments will be sent freight collect.
3. All COD shipments will be sent freight collect.
4. Back order shipments will be shipped ASAP unless we are instructed otherwise.
5. UPS shipments will be prepaid and the freight amount added to the invoice.
6. Damaged freight and freight shortages are the responsibility of the customer and damages must be filed with the freight carrier.

1977 – 2015



*Celebrating Over 38 Years in Business*



## DTAC WARRANTY POLICY

DTAC offers the following limited warranty on **TRUCK** and **OFF-ROAD** air conditioning components, subject to the conditions listed below. There are **NO** other warranties implied.

This warranty frees the manufacturer of any other obligation or liability including consequential and incidental damages. The manufacturer will not be held responsible for any other liability in connection with the sale of DTAC units or components.

### COMPLETE UNIT INSTALLATION WARRANTY

DTAC warrants on and off-highway air conditioners, heaters, and related components that it sells, used in complete unit installations. Failures due to poor manufacturing workmanship or materials, under normal conditions of use are covered by this warranty. This expressed warranty applies for a period of twelve (12) months from the date of installation and covers both parts and labor. Products which fail during this warranty period will be **repaired, replaced, or credited at DTAC's option**, when proper warranty registration and filing procedures have been followed. DTAC reserves the right to make design improvements without any obligation to change units or parts previously manufactured. Labor rates are paid per the DTAC Warranty Labor Schedule on the following page. **No allowance will be made for mileage, travel time, down time, or related expenses.**

### REPLACEMENT PARTS WARRANTY

DTAC warrants service replacement parts for a period of twelve (12) months. This includes all service parts sold by DTAC which fail during this warranty period. These failed parts will be replaced, repaired, or credited at DTAC's option, when proper warranty filing procedures have been followed. **There is no labor allowance given on replacements parts.**

### WARRANTY COMPONENTS LIMITATIONS

- A. Warranty coverage on receiver/driers is limited to leaking or dessicant breakdown.
- B. Broken fittings, stripped threads, broken mounting bosses, seizure due to lack of oil, nullifies all warranties on compressor and other components.
- C. Compressor mounting brackets and control cables are used at the risk of the installer. **NO WARRANTY IS OFFERED ON THESE COMPONENTS.**

### GENERAL CONDITIONS OF WARRANTY

- A. No unit is guaranteed to maintain a specific temperature output or cab temperature, since variables affect this output.
- B. All unit components must be purchased from DTAC for this warranty policy to apply.
- C. Failures due to poor installation practices are not covered.
- D. This warranty is the sole property of the original owner or purchaser.



- E. **DTAC** retains the right to inspect faulty parts. No warranty parts should be returned without an Authorization for Return (AFR) form. This can be obtained from **DTAC** personnel by calling 800-527-9477. Warranty will not be honored if proper filing procedures are not followed. Suspected defective parts must be returned freight prepaid with invoice and purchase date. Replacement warranty parts will be returned to customer via UPS ground prepaid. Replacement warranty parts will be billed to customer and a credit will be issued upon return of warranty parts. Any freight requests, other than UPS ground will be billed to the customer.
- F. **DTAC** shall not be liable for consequential damages or contingent liabilities, including, without limitation, such things as damage to any vehicle, contents or cargo, expenses for equipment rental, or expenses incurred arising from the failure of any unit (or parts thereof).
- G. **Alterations in any form, to a unit or part shall nullify and void this warranty.**

**WARRANTY LABOR ALLOWANCE LIMITATIONS**

- A. Claims will be accepted only from service centers or dealers installing systems sold by **DTAC**.
- B. Claims will be paid on a cost per warranty part basis.
- C. Labor allowances apply only to complete unit installations that have had the warranty registration card filled out and sent to **DTAC**.
- D. Replacement parts carry no labor warranty. These parts are subject only to having the part replaced, if deemed defective by the manufacturer.

<b>Job Description</b>	<b>Hrs Allowed</b>	<b>Job Description</b>	<b>Hrs Allowed</b>
Control Panel R&R	0.7	Blower Motor or Wheel R&R	1.0
Air Cylinder R&R	0.5	Condenser, Radiator R&R	1.1**
Relay R&R	0.5	Condenser, Rooftop Coil R&R	1.5**
Freon Solenoid R&R	0.3**	Condenser, Rooftop Motor R&R	1.0
Air Solenoid R&R	0.3	Condenser, Rooftop Fan Blade & Assy	0.5
Water Valve R&R	0.5	Cover R&R	0.4
Heater Coil R&R	1.0	Compressor R&R	1.0**
Expansion Valve R&R	0.75**	Clutch R&R	1.0
Evaporator Coil R&R	1.0**	Receiver/Drier R&R	1.0**
Thermostat R&R	1.0	Resistor R&R	1.0
Mode, Fan, Air or Diode Switches	0.5	Binary, Trinary Switches (Male)	0.5**
Binary, Trinary Switches (Female)	0.5	Refrigerant Fitting	0.5**
System Leak Check	0.3		

**TROUBLE SHOOTING LABOR RATE**

A 1.0 hour allowance will be credited on complete unit installations for diagnosis.

**LABOR RATE SCHEDULE**

\*\* A 0.75 hour evacuation and recharge allowance will be credited for these operations.  
**ALLOWANCES INCLUDE REMOVAL AND REPLACEMENT OF DEFECTIVE PART.** A labor rate of \$55.00 per hour will be applied, using the labor rate schedule above.



---

## RETURN POLICY

1. No part should be returned without an Authorization For Return (AFR) form. This can be obtained from DTAC personnel by calling 1.800.527.9477. All returns are subject to review and acceptance prior to return.
2. All warranty returns will be covered by the DTAC Warranty Policy on page ii and iii of the DTAC catalog.
3. Any items ordered in error or item shipped in error may be returned within 30 days with a full credit applied to the customer's account.
4. DTAC has no restocking fee for slow moving items being considered for return. However, items returned must be in new and sellable condition, must be accompanied by an offsetting order, and must have been purchased within the previous two years. This allows customers to remove slow moving items from inventory without taking a loss on the items. A \$15.00 re-box fee will be charged on all returned units and condensers.
5. Freight charges must be pre-paid on all returns.

1977 – 2015



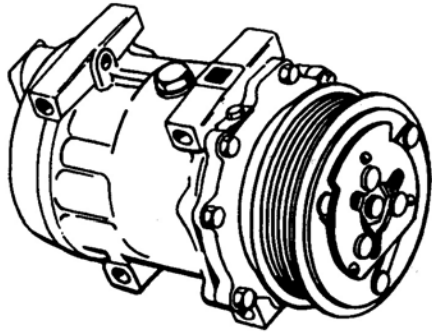
*Celebrating Over 38 Years in Business*

- **COMPRESSORS**
- **CLUTCHES**
- **COMPRESSOR COMPONENTS**
- **COMPRESSOR ACCESSORIES**

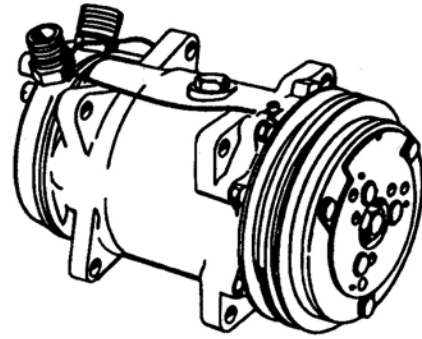


# COMPRESSORS

## COMPRESSOR MOUNTING OPTIONS

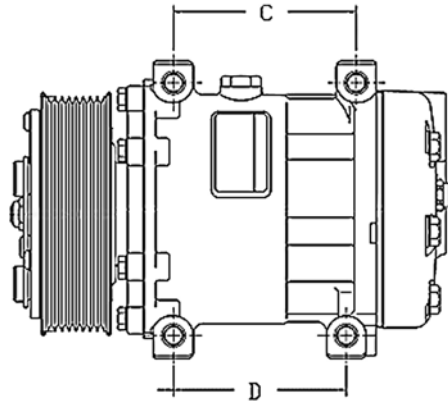


Direct Mount



Ear Mount

## DIRECT MOUNT HOLE SPACING CHART



DIMENSION		DTAC NO.
C (TOP)	D (BOTTOM)	
90mm	78mm	01-01281
92mm	87mm	01-04417
92mm	87mm	01-04759
92mm	87mm	01-05026
92mm	87mm	01-05327
92mm	87mm	01-05419
92mm	87mm	01-05420
92mm	87mm	01-05482
92mm	87mm	01-05499
92mm	87mm	01-05626
90mm	78mm	01-05628
92mm	87mm	01-05698
92mm	87mm	01-05715
92mm	87mm	01-05727
92mm	87mm	01-05792
92mm	87mm	01-05813
92mm	87mm	01-05840
92mm	87mm	01-05883

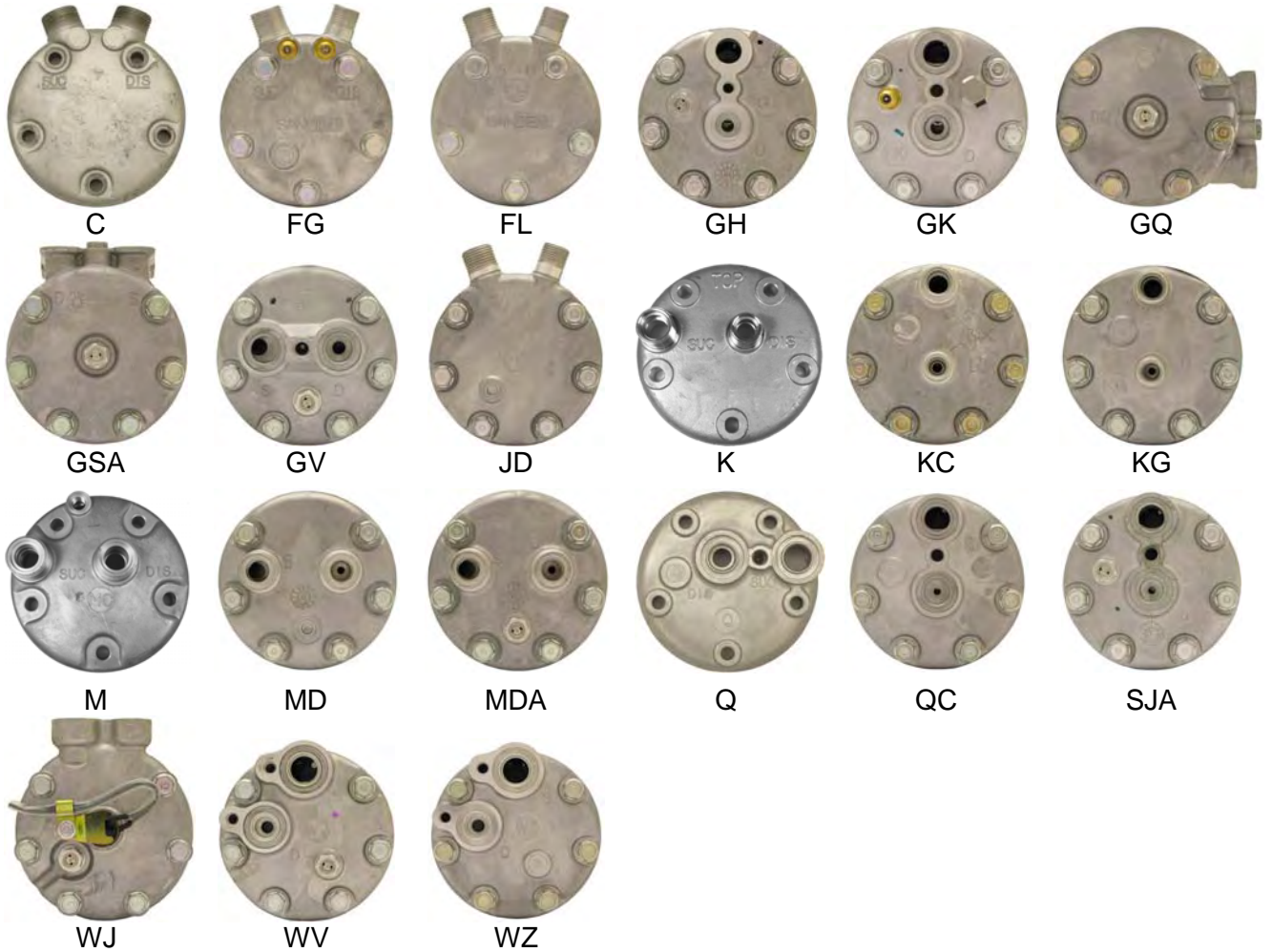
COMPRESSORS



# COMPRESSORS

## SANDEN COMPRESSOR CYLINDER HEADS

COMPRESSORS



HEAD TYPE	POSITION ON CYL. HEAD	SUCTION PORT	DISCHARGE PORT	OPTION	MODEL	FITTINGS	DTAC NO.
C	Vertical	1" - 14 Tube-O	1" - 14 Tube-O		SD5H14	V-1X14 Tube-O	01-19580
FG	Vertical	#10 O-ring (7/8" thd.)	#8 O-ring (3/4" thd.)		SD508/510	V-3/4X7/8 O-Ring	01-13224
FL	Vertical	#10 O-ring (7/8" thd.)	#8 O-ring (3/4" thd.)		SD5H14	V-3/4X7/8 O-Ring	01-14506
GH	Horizontal	Pad 7/8"	Pad 3/4"		SD7H15	H-Pad	
GK	Horizontal	GM Pad	GM Pad	Pressure Relief Valve	SD7H15	H-GM Pad	
GQ	Vertical @ 90 Deg.	Pad 7/8"	Pad 3/4"		SD7H15	V-Pad 90 Deg.	
GSA	Vertical	Pad 7/8"	Pad 3/4"		SD7H15	V-Pad	
GV	Horizontal	Pad 7/8"	Pad 3/4"	Pressure Relief Valve	SD7H15	H-Pad	01-18128
JD	Vertical	#10 O-ring (7/8" thd.)	#8 O-ring (3/4" thd.)		SD7H15	V-3/4X7/8 O-Ring	01-17832
K	Horizontal	#10 O-ring (7/8" thd.)	#8 O-ring (3/4" thd.)		SD5H14	H-3/4X7/8 O-Ring	01-18487
KC	Horizontal	#10 O-ring (7/8" thd.)	#8 O-ring (3/4" thd.)		SD7H15	H-3/4X7/8 O-Ring	01-17417
KCA	Horizontal	#10 O-ring (7/8" thd.)	#8 O-ring (3/4" thd.)	Pressure Relief Valve	SD7H15SSHD	H-3/4X7/8 O-Ring	
KG	Horizontal	#10 O-ring (7/8" thd.)	#8 O-ring (3/4" thd.)		SD7H15	H-3/4X7/8 O-Ring	01-17862
M	Horizontal	1" - 14 Tube-O	1" - 14 Tube-O		SD5H14	H-1X14 Tube-O	01-18489
MD	Horizontal	1" - 14 Tube-O	1" - 14 Tube-O		SD7H15	H-1x14 Tube-O	
MDA	Horizontal	1" - 14 Tube-O	1" - 14 Tube-O	Pressure Relief Valve	SD7H15	H-1x14 Tube-O	
Q	Horizontal	GM Pad	GM Pad		SD5H14	H-GM Pad	01-19150
QC	Horizontal	Pad O-ring	Pad O-ring		SD7H15	H-Pad	
SJA	Horizontal	Pad, Special	Pad, Special		SD7H15	H-Pad Spec	
WJ	Vertical	Pad 7/8"	Pad 3/4"		SD7H15	V-Pad	
WV	Horizontal	Pad O-ring	Pad O-ring		SD7H15	H-Pad	01-18004
WZ	Horizontal	Pad O-ring	Pad O-ring		SD7H15	H-Pad	



# COMPRESSORS

## ICE/TAMA - 134a COMPRESSORS

### TM15HD

GROOVES	VOLT	FITTINGS	MOUNT	BELT SIZE	CLUTCH DIA. (MM)	ICE/VALEO PART NO.	SELTEC PART NO.	DTAC NO.
1 VG	12	H-PAD	EAR		159	2521573		01-01573
2	12	H-3/4X7/8	EAR	1/2	135	2521479		01-01158
2	12	H-PAD	EAR	1/2	125	2521176	488-45222	01-01174
2	12	H-PAD	EAR	1/2	135	2521387		01-01176
2	12	V-3/4X7/8	EAR	1/2	135	2521152	488-45011	01-01152
2	12	V-3/4X7/8 Mono	EAR	1/2	135	2521157	488-45021	01-01157
2	24	H-3/4X7/8	EAR	1/2	135	2521154	488-45017	01-01154
2	24	H-PAD	EAR	1/2	135	2521175	488-45212	01-01175
2	24	V-3/4X7/8	EAR	1/2	135	2521153	488-45015	01-01153
2	24	V-3/4X7/8 Mono	EAR	1/2	135	2521163	488-45056	01-01163
8 PV	12	H-3/4X7/8	EAR		123	2521340	488-45322	01-01340
8 PV	12	H-3/4X7/8	DIRECT		123	2521281	103-55084	01-01281
8 PV	12	H-PAD	EAR		123	2521178	488-45234	01-01178
8 PV	12	V-3/4X7/8 Mono	EAR		123	2521172	488-45121	01-01172
8 PV	24	H-PAD	EAR			2521179	488-45236	01-01179
8 PV	24	V-3/4X7/8	EAR		123	2521333	488-45125	01-01333

### TM16HD

GROOVES	VOLT	FITTINGS	MOUNT	BELT SIZE	CLUTCH DIA. (MM)	ICE/VALEO PART NO.	SELTEC PART NO.	DTAC NO.
2	12	H-3/4X7/8	EAR	1/2	135	2521186	488-46030	01-01186
2	12	V-3/4X7/8	EAR	1/2	135	2521180	488-46011	01-01180
2	24	H-3/4X7/8	EAR	1/2	135	2521182	488-46017	01-01182

### TM21HD

GROOVES	VOLT	FITTINGS	MOUNT	BELT SIZE	CLUTCH DIA. (MM)	ICE/VALEO PART NO.	DTAC NO.
2	12	RH-PAD	DIRECT	1/2	145	103-57240	01-57240
2	24	RH-PAD	DIRECT	1/2	145	103-57242	01-57242
8 PV	12	RH-PAD	DIRECT		125	103-67260	01-67260

## NIPPONDESO AFTERMARKET COMPRESSORS

GROOVES	VOLT	MODEL	OEM	OEM NO.	DTAC NO.
1	12	10PAC17	John Deere	RE46657/TY6626	01-95625
1	12	6E171 W/01-47362 Clutch	John Deere	RE12513/TY6766	01-06009
1	24	10PAC17C	John Deere	AT163728/TY6783	01-95759
1	24	10S17	Caterpillar	231-6984/245-7781	01-95789
1 VG	24	10PAC15	Komatsu	418-S62-3160	01-95521
1 VG	24	10S15C	Komatsu	20Y-979-6121	01-95553
8 PV	12	10PAC17	John Deere	RE46609/TY6764	01-95693
8 PV	24	10PAC17	John Deere	AT168543/AT226273	01-95741
8 PV	24	10S17C	Caterpillar	305-0324/245-7779	01-95749

## NEW GM S6 COMPRESSORS

GROOVES	VOLT	FITTINGS	MODEL	BELT SIZE	CLUTCH DIA (IN)	OEM	TYPE	DTAC NO.
1	12	H-PAD	S6	1/2	5.75	JOHN DEERE	NEW	01-06014
1	24	H-PAD	S6	1/2	6.67	CAT	NEW	01-06019
6 PV	12	H-PAD	S6		5.5		NEW	01-06016N

COMPRESSORS





# COMPRESSORS

## SANDEN - 134a COMPRESSORS

### SD5H14

GROOVES	VOLT	FITTINGS	HEAD TYPE	MOUNT	BELT SIZE	CLUTCH DIA. (MM)	SANDEN PART NO.	DTAC NO.
1 OFFSET	12	V-3/4X7/8	FL	EAR	1/2	122	4530	01-5514A
1 VG	24	V-3/4X7/8	FL	EAR	1/2-7/8	152	5311	01-05311
2	12	H-1X14	M	EAR	1/2	132	4513, 6631	01-05513
7 PV	12	V-3/4X7/8	FL	EAR	1/2	119	4514, 6629	01-04514
8 PV	24	V-3/4X7/8	FL	EAR		119 SEALED	6697	01-05697

### SD7H15 FLX

GROOVES	VOLT	FITTINGS	HEAD TYPE	MOUNT	BELT SIZE	CLUTCH DIA. (MM)	SANDEN PART NO.	DTAC NO.
2	12	H-PAD	GV	DIRECT	1/2	125	4419	01-05419
2	12	H-PAD	GV	EAR	1/2	132	4434	01-05434
2	24	H-PAD	GV	EAR	1/2	132	4435	01-05435
8 PV	12	H-PAD	GV	DIRECT		119	4420	01-05420
8 PV	12	H-PAD	GV	EAR		119	4864	01-05864



# COMPRESSORS

## SANDEN - 134a COMPRESSORS

SD7H15

COMPRESSORS

GROOVES	VOLT	FITTINGS	HEAD TYPE	MOUNT	BELT SIZE	CLUTCH DIA. (MM)	SANDEN PART NO.	DTAC NO.
1 CAT	12	H-PAD	GK	EAR	1/2	138	4608	01-05608
1 CAT	24	H-PAD	GK	EAR	1/2	138	4640, 4604	01-05604
1 VG	12	V-3/4X7/8	FL	EAR	1/2-7/8	158	4746	01-05746
1 VG	24	V-3/4X7/8	JD	EAR	1/2-7/8	158	4745	01-05745
2	12	H-GQ/PACAR	GH	EAR	GQ	125	4041	01-01495
2	12	H-1X14	MD	EAR	1/2	152 SEALED	4609, 4478	01-05478
2	12	H-PAD	QC	EAR	1/2	140	8088	01-08088
2	12	H-PAD	WV	DIRECT CUMMINS	1/2	132	4715, 4890	01-05715
2	12	H-PAD	SJA	EAR	1/2	125	7803	01-07803
2	12	KG HEAD	KG	EAR	1/2	132	4272	01-05272
2	12	V-3/4X7/8	JD	DIRECT	1/2	132	4626, 4780	01-05626
2	12	V-3/4X7/8	JD	EAR	1/2	125	4627	01-05627
2	12	V-PAD FORD	WJ	EAR	1/2	132	4603, 4469	01-05603
2	24	H-PAD	WZ	EAR	1/2	132	8045	01-08045
2	24	KG HEAD	KG	EAR	1/2	132	4269	01-05269
2	24	V-3/4X7/8	JD	EAR	1/2	132	4271	01-05271
2/DIOPOLD	12	V-3/4X7/8	JD	EAR	1/2	132	4664	01-05664
6 PV	12	90 DEG. PAD	GQ	DIRECT		125	4040, 4792	01-05792
6 PV	12	H-3/4X7/8	KC	DIRECT CUMMINS		119	4727	01-05727
6 PV	12	H-PAD	GSA	DIRECT		125	4039	01-05731
6 PV	12	H-PAD	GWA	DIRECT		125	4815	01-05815
6 PV	12	V-3/4X7/8		DIRECT		119	4628, 8105	01-05628
6 PV	12	V-3/4X7/8	JD	DIRECT		119	4883	01-05883
6 PV	12	V-PAD	GSA	DIRECT		125	4079, 4376	01-05376
6 PV	24	H-3/4X7/8	KC	DIRECT		119		01-05720
7 PV	12	SPECIAL H-PAD	QD	EAR		119	4618	01-05618
8 PV	12	90 DEG. PAD	GQ	DIRECT		119	4042, 4759	01-04759
8 PV	12	90 DEG. PAD	GQ	DIRECT		119	4077, 4368	01-05368
8 PV	12	H-1X14	MD	DIRECT		152 SEALED	4499, 4768	01-05499
8 PV	12	H-1X14	MDA	DIRECT		119	4482, 4776	01-05482
8 PV	12	H-1X14	MDA	EAR FREIGHTLINER		119	4477, 4734	01-04734
8 PV	12	H-3/4X7/8	KG	DIRECT		133 SEALED		01-05699
8 PV	12	H-PAD	GH	DIRECT		119	4485, 4818	01-04417
8 PV	12	H-PAD	WV	DIRECT		130	4493	01-05892
8 PV	12	H-WV	WV	EAR		130	4490, 4716	01-05716
8 PV	12	V-3/4X7/8	JD	DIRECT JOHN DEERE		133 SEALED	4698	01-05698
8 PV	12	V-3/4X7/8	JD	EAR		119	4711	01-05711
8 PV	12	WJ FORD	WJ	EAR		119	4718	01-04718
8 PV	24	H-3/4X7/8	KG	EAR		119	4765	01-05765
8 PV	24	H-PAD	GV	DIRECT CUMMINS QSM		119	4327	01-05327
8 PV	24	H-PAD	GK	DIRECT		133	4301, 4769	01-05769
8 PV	24	H-PAD	WZ	DIRECT		132	8242	01-08242
8 PV	24	H-PAD	WV	DIRECT		132	4026, 8112	01-05026
8 PV	24	H-PAD	GV	DIRECT		180		01-05116
8 PV	24	V-3/4X7/8	JD	EAR		133	4312	01-05312
8 PV	24	V-3/4X7/8	JD	EAR		119	4762	01-05762
8 PV CAT	12	H-3/4X7/8	KCA	DIRECT		132	4813, 4498	01-05813
8 PV CAT	24	H-PAD	GK	DIRECT		152	4302, 4840	01-05840
8 PV CAT	24	H-PAD	GK	EAR		133	4726, 4487	01-05726
12 PV	12	90 DEG. PAD	GQ	DIRECT		126	4078, 4370	01-05370

## YORK SQUARE TYPE

DESCRIPTION	HEAD TYPE	SERVICE VALVES	SUCTION LOCATION	DTAC NO.
York (Aftermarket)	Tube-O	None	L.H. Suction	01-05044
York (Aftermarket)	Rotolock	None	L.H. Suction	01-05046
York (Aftermarket)	Tube-O	O-Ring w/R-134a Service Port	L.H. Suction	01-05052

## COMPRESSOR PHOTOS

### 01-01152

ICE/TAMA 134a	
Series	TM15HD
Clutch	2 GR, 12V
Dia.	135mm
Belt	½"
Fittings	V-3/4x7/8
Ice/Valeo	2521152
Seltec	488-45011



### 01-01174

ICE/TAMA 134a	
Series	TM15HD
Clutch	2 GR, 12V
Dia.	125mm
Belt	½"
Fittings	H-Pad
Ice/Valeo	2521176
Seltec	488-45222



### 01-01186

ICE/TAMA 134a	
Series	TM16HD
Clutch	2 GR, 12V
Dia.	135mm
Belt	½"
Fittings	H-3/4x7/8
Ice/Valeo	2521186
Seltec	488-46030



### 01-01153

ICE/TAMA 134a	
Series	TM15HD
Clutch	2 GR, 24V
Dia.	135mm
Belt	½"
Fittings	V-3/4x7/8
Ice/Valeo	2521153
Seltec	488-45015



### 01-01175

ICE/TAMA 134a	
Series	TM15HD
Clutch	2 GR, 24V
Dia.	135mm
Belt	½"
Fittings	H-Pad
Ice/Valeo	2521175
Seltec	488-45212



### 01-01281

ICE/TAMA 134a	
Series	TM15HD
Clutch	8 PV, 12V
Dia.	123mm
Belt	
Fittings	H-3/4x7/8
Ice/Valeo	2521281
Seltec	103-55084



### 01-01154

ICE/TAMA 134a	
Series	TM15HD
Clutch	2 GR, 24V
Dia.	135mm
Belt	½"
Fittings	H-3/4x7/8
Ice/Valeo	2521154
Seltec	488-45017



### 01-01176

ICE/TAMA 134a	
Series	TM15HD
Clutch	2 GR, 12V
Dia.	135mm
Belt	
Fittings	H-PAD
Ice/Valeo	2521387
Seltec	



### 01-01333

ICE/TAMA 134a	
Series	TM15HD
Clutch	8 PV, 24V
Dia.	123mm
Belt	
Fittings	V-3/4x7/8
Ice/Valeo	2521333
Seltec	488-45125



### 01-01157

ICE/TAMA 134a	
Series	TM15HD
Clutch	2 GR, 12V
Dia.	135mm
Belt	½"
Fittings	V-3/4x7/8
Ice/Valeo	2521157
Seltec	488-45021



### 01-01178

ICE/TAMA 134a	
Series	TM15HD
Clutch	8 PV, 12V
Dia.	123mm
Belt	
Fittings	H-Pad
Ice/Valeo	2521178
Seltec	488-45234



### 01-01340

ICE/TAMA 134a	
Series	TM15HD
Clutch	8 PV, 12V
Dia.	123mm
Belt	
Fittings	H-3/4x7/8
Ice/Valeo	2521340
Seltec	488-45322



### 01-01158

ICE/TAMA 134a	
Series	TM15HD
Clutch	2 GR, 12V
Dia.	135mm
Belt	½"
Fittings	H-3/4x7/8
Ice/Valeo	2521479
Seltec	



### 01-01179

ICE/TAMA 134a	
Series	TM15HD
Clutch	8 PV, 24V
Dia.	
Belt	
Fittings	H-PAD
Ice/Valeo	2521179
Seltec	488-45236



### 01-01495

Sanden 134a	
Series	SD7H15
Clutch	2 GR, 12V
Dia.	125mm
Belt	
Fittings	PACAR
Head	H-QC
Sanden	4041



### 01-01163

ICE/TAMA 134a	
Series	TM15HD
Clutch	2 GR, 24V
Dia.	135mm
Belt	½"
Fittings	V-3/4x7/8
Ice/Valeo	2521163
Seltec	488-45056



### 01-01180

ICE/TAMA 134a	
Series	TM16HD
Clutch	2 GR, 12V
Dia.	135mm
Belt	½"
Fittings	V-3/4x7/8
Ice/Valeo	2521180
Seltec	488-46011



### 01-01573

ICE/TAMA 134a	
Series	TM15HD
Clutch	1 VG, 12V
Dia.	159mm
Belt	
Fittings	H-Pad
Ice/Valeo	2521573
Seltec	



### 01-01172

ICE/TAMA 134a	
Series	TM15HD
Clutch	8 PV, 12V
Dia.	123mm
Belt	
Fittings	V-3/4x7/8
Ice/Valeo	2521172
Seltec	488-45121



### 01-01182

ICE/TAMA 134a	
Series	TM16HD
Clutch	2 GR, 24V
Dia.	135mm
Belt	½"
Fittings	H-3/4x7/8
Ice/Valeo	2521182
Seltec	488-46017



### 01-04417

Sanden 134a	
Series	SD7H15
Clutch	8 PV, 12V
Dia.	119mm
Belt	
Fittings	H-Pad
Head	GH
Sanden	4485, 4818



## COMPRESSOR PHOTOS

COMPRESSORS

### 01-04514

Sanden 134a	
Series	SD5H14
Clutch	7 PV, 12V
Dia.	119mm
Belt	
Fittings	V-3/4x7/8
Head	FL
Sanden	4514, 6629

**Image  
Coming  
Soon**

### 01-04718

Sanden 134a	
Series	SD7H15
Clutch	8 PV, 12V
Dia.	119mm
Belt	
Fittings	Ford
Head	WJ
Sanden	4718



### 01-04734

Sanden 134a	
Series	SD7H15
Clutch	8 PV, 12V
Dia.	119mm
Belt	
Fittings	H-1x14
Head	MDA
Sanden	4477, 4734



### 01-04759

Sanden 134a	
Series	SD7H15
Clutch	8 PV, 12V
Dia.	119mm
Belt	
Fittings	90° Pad
Head	GQ
Sanden	4042, 4759



### 01-05026

Sanden 134a	
Series	SD7H15
Clutch	8 PV, 24V
Dia.	132mm
Belt	
Fittings	H-PAD
Head	WV
Sanden	4026, 8112



### 01-05044

York 134a	
Series	n/a
Clutch	n/a
Dia.	n/a
Belt	n/a
Fittings	Tube-O



### 01-05046

York 134a	
Series	n/a
Clutch	n/a
Dia.	n/a
Belt	n/a
Fittings	Rotolock



### 01-05052

York 134a	
Series	n/a
Clutch	n/a
Dia.	n/a
Belt	n/a
Fittings	Tube-O
	w/ R134a SV



### 01-05116

Sanden 134a	
Series	SD7H15
Clutch	PV 8, 24V
Dia.	180mm
Belt	
Fittings	H-PAD
Head	GV
Sanden	



### 01-05269

Sanden 134a	
Series	SD7H15
Clutch	2 GR, 24V
Dia.	132mm
Belt	1/2"
Fittings	H-3/4x7/8
Head	KG
Sanden	4269



### 01-05271

Sanden 134a	
Series	SD7H15
Clutch	2 GR, 24V
Dia.	132mm
Belt	1/2"
Fittings	V-3/4x7/8
Head	JD
Sanden	4271



### 01-05272

Sanden 134a	
Series	SD7H15
Clutch	2 GR, 12V
Dia.	132mm
Belt	1/2"
Fittings	H-3/4x7/8
Head	KG
Sanden	4272



### 01-05311

Sanden 134a	
Series	SD5H14
Clutch	1 VG, 24V
Dia.	152mm
Belt	
Fittings	V-3/4x7/8
Head	FL
Sanden	5311



### 01-05312

Sanden 134a	
Series	SD7H15
Clutch	8 PV, 24V
Dia.	133mm
Belt	
Fittings	V-3/4x7/8
Head	JD
Sanden	4312



### 01-05327

Sanden 134a	
Series	SD7H15
Clutch	8 PV, 24V
Dia.	119mm
Belt	
Fittings	H-Pad
Head	GV
Sanden	4327



### 01-05368

Sanden 134a	
Series	SD7H15
Clutch	8 PV, 12V
Dia.	119mm
Belt	
Fittings	90° Pad
Head	GQ
Sanden	4077, 4368



### 01-05370

Sanden 134a	
Series	SD7H15
Clutch	12 PV, 12V
Dia.	126mm
Belt	
Fittings	90° Pad
Head	GQ
Sanden	4078, 4370



### 01-05376

Sanden 134a	
Series	SD7H15
Clutch	6 PV, 12V
Dia.	125mm
Belt	
Fittings	V-Pad
Head	GSA
Sanden	4079, 4376



### 01-05419

Sanden 134a	
Series	SD7H15 FLX
Clutch	2 GR, 12V
Dia.	125mm
Belt	1/2"
Fittings	H-Pad
Head	GV
Sanden	4419



### 01-05420

Sanden 134a	
Series	SD7H15 FLX
Clutch	8 PV, 12V
Dia.	119mm
Belt	
Fittings	H-Pad
Head	GV
Sanden	4420



### 01-05434

Sanden 134a	
Series	SD7H15 FLX
Clutch	2 GR, 12V
Dia.	132mm
Belt	
Fittings	H-Pad
Head	GV
Sanden	4434





## COMPRESSOR PHOTOS

### 01-05435

Sanden 134a	
Series	SD7H15 FLX
Clutch	2 GR, 24V
Dia.	132mm
Belt	½"
Fittings	H-Pad
Head	GV
Sanden	4435



### 01-05618

Sanden 134a	
Series	SD7H15
Clutch	7 PV, 12V
Dia.	119mm
Belt	
Fittings	H-Pad Sp.
Head	QD
Sanden	4618



### 01-05699

Sanden 134a	
Series	SD7H15
Clutch	8 PV, 12V
Dia.	133mm
Belt	
Fittings	H-3/4x7/8
Head	KG
Sanden	

Image  
Coming  
Soon

### 01-05478

Sanden 134a	
Series	SD7H15
Clutch	2 GR, 12V
Dia.	152mm
Belt	½"
Fittings	H-1x14
Head	MD
Sanden	4609, 4478

Image  
Coming  
Soon

### 01-05626

Sanden 134a	
Series	SD7H15
Clutch	2 GR, 12V
Dia.	132mm
Belt	½"
Fittings	V-3/4x7/8
Head	JD
Sanden	4626, 4780



### 01-05711

Sanden 134a	
Series	SD7H15
Clutch	8 PV, 12V
Dia.	119mm
Belt	
Fittings	V-3/4x7/8
Head	JD
Sanden	4711



### 01-05482

Sanden 134a	
Series	SD7H15
Clutch	8 PV, 12V
Dia.	119mm
Belt	
Fittings	H-1x14
Head	MDA
Sanden	4482, 4776



### 01-05627

Sanden 134a	
Series	SD7H15
Clutch	2 GR, 12V
Dia.	125mm
Belt	
Fittings	V-3/4x7/8
Head	
Sanden	4627



### 01-05715

Sanden 134a	
Series	SD7H15
Clutch	2 GR, 12V
Dia.	132mm
Belt	½"
Fittings	H-Pad
Head	WV
Sanden	4715



### 01-05499

Sanden 134a	
Series	SD7H15
Clutch	8 PV, 12V
Dia.	152mm
Belt	
Fittings	H-1x14
Head	MD
Sanden	4499, 4768



### 01-05628

Sanden 134a	
Series	SD7H15
Clutch	6 PV, 12V
Dia.	119mm
Belt	
Fittings	V-3/4x7/8
Head	
Sanden	4628



### 01-05716

Sanden 134a	
Series	SD7H15
Clutch	8 PV, 12V
Dia.	130mm
Belt	
Fittings	H-WV
Head	WV
Sanden	4490, 4716



### 01-05603

Sanden 134a	
Series	SD7H15
Clutch	2 GR, 12V
Dia.	132mm
Belt	½"
Fittings	V-Pad Ford
Head	WJ
Sanden	4603, 4469



### 01-05664

Sanden 134a	
Series	SD7H15
Clutch	2 GR, 12V
Dia.	132mm
Belt	½"
Fittings	V-3/4x7/8
Head	JD
Sanden	4664



### 01-05720

Sanden 134a	
Series	SD7H15
Clutch	6 PV, 24V
Dia.	119mm
Belt	
Fittings	H-3/4x7/8
Head	KC
Sanden	



### 01-05604

Sanden 134a	
Series	SD7H15
Clutch	1 CAT, 24V
Dia.	138mm
Belt	½"
Fittings	H-Pad
Head	GK
Sanden	4640, 4604



### 01-05697

Sanden 134a	
Series	SD5H14
Clutch	8 PV, 24V
Dia.	119mm
Belt	
Fittings	V-3/4x7/8
Head	FL
Sanden	6697



### 01-05726

Sanden 134a	
Series	SD7H15
Clutch	8 PV CAT, 24V
Dia.	133mm
Belt	
Fittings	H-Pad
Head	GK
Sanden	4726, 4487



### 01-05608

Sanden 134a	
Series	SD7H15
Clutch	1 CAT, 12V
Dia.	138mm
Belt	½"
Fittings	H-Pad
Head	GK
Sanden	4608



### 01-05698

Sanden 134a	
Series	SD7H15
Clutch	8 PV, 12V
Dia.	133mm
Belt	
Fittings	V-3/4x7/8
Head	JD
Sanden	4698



### 01-05727

Sanden 134a	
Series	SD7H15
Clutch	6 PV, 12V
Dia.	119mm
Belt	
Fittings	H-3/4x7/8
Head	KC
Sanden	4727



## COMPRESSOR PHOTOS

COMPRESSORS

### 01-05731

Sanden 134a	
Series	SD7H15
Clutch	6 PV, 12V
Dia.	125mm
Belt	
Fittings	H-PAD
Head	GSA
Sanden	4039



### 01-05745

Sanden 134a	
Series	SD7H15
Clutch	1 VG, 24V
Dia.	158mm
Belt	1/2"-7/8"
Fittings	V-3/4x7/8
Head	JD
Sanden	4745



### 01-05746

Sanden 134a	
Series	SD7H15
Clutch	1 VG, 12V
Dia.	158mm
Belt	1/2"-7/8"
Fittings	V-3/4x7/8
Head	FL
Sanden	4746



### 01-05762

Sanden 134a	
Series	SD7H15
Clutch	8 PV, 24V
Dia.	119mm
Belt	
Fittings	V-3/4x7/8
Head	JD
Sanden	4762



### 01-05765

Sanden 134a	
Series	SD7H15
Clutch	8 PV, 24V
Dia.	119mm
Belt	
Fittings	H-3/4x7/8
Head	KG
Sanden	4765



### 01-05769

Sanden 134a	
Series	SD7H15
Clutch	8 PV, 24V
Dia.	133mm
Belt	
Fittings	H-Pad
OEM	CAT
4769/4301	163-0872



### 01-05792

Sanden 134a	
Series	SD7H15
Clutch	6 PV, 12V
Dia.	125mm
Belt	
Fittings	90° Pad
Head	GQ
Sanden	4040, 4792



### 01-05813

Sanden 134a	
Series	SD7H15SHD
Clutch	8 PV, 12V
Dia.	132mm
Belt	
Fittings	H-3/4x7/8
Head	KCA
Sanden	4498, 4813



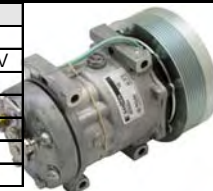
### 01-05815

Sanden 134a	
Series	SD7H15
Clutch	6 PV, 12V
Dia.	125mm
Belt	
Fittings	H-PAD
Head	GWA
Sanden	4815



### 01-05840

Sanden 134a	
Series	SD7H15
Clutch	8 PV CAT, 24V
Dia.	152mm
Belt	
Fittings	H-Pad
Head	GK
Sanden	4302, 4840



### 01-05864

Sanden 134a	
Series	SD7H15 FLX
Clutch	8 PV, 12V
Dia.	119mm
Belt	
Fittings	H-Pad
Head	GV
Sanden	4864



### 01-05883

Sanden 134a	
Series	SD7H15
Clutch	6 PV, 12V
Dia.	125mm
Belt	
Fittings	V-3/4x7/8
Head	JD
Sanden	4883



### 01-05892

Sanden 134a	
Series	SD7H15
Clutch	8 PV, 12V
Dia.	130mm
Belt	
Fittings	H-PAD
Head	WV
Sanden	4493

Image  
Coming  
Soon

### 01-06009

Denso 134a	
Series	6E171
Clutch	1 GR, 12V
Dia.	
Belt	
Fittings	
OEM	RE12513
	TY6766



### 01-06014

S6 134a (New)	
Series	S6
Clutch	1 GR, 12V
Dia.	5 3/4"
Belt	
Fittings	H-Pad
Head	



### 01-06016N

S6 134a (New)	
Series	S6
Clutch	6 GR, 12V
Dia.	5.5"
Belt	
Fittings	H-Pad
Head	



### 01-06019

GM A6 134a (New)	
Series	S6
Clutch	1 GR, 24V
Dia.	6.67"
Belt	
Fittings	H-GM Pad
Head	



### 01-07803

Sanden 134a	
Series	SD7H15
Clutch	2 GR, 12V
Dia.	125mm
Belt	
Fittings	H-Pad (Q)
Head	QD
Sanden	7803



### 01-08045

Sanden 134a	
Series	SD7H15
Clutch	2 GR, 24V
Dia.	132mm
Belt	1/2"
Fittings	H-Pad
Head	WZ
Sanden	8045



### 01-08088

Sanden 134a	
Series	SD7H15
Clutch	2 GR, 12V
Dia.	140mm
Belt	
Fittings	H-Pad
Head	QC
Sanden	8088



### 01-08242

Sanden 134a	
Series	SD7H15
Clutch	8 PV, 24V
Dia.	132mm
Belt	
Fittings	H-Pad
Head	WZ
Sanden	8242



## COMPRESSOR PHOTOS

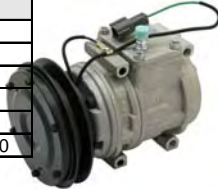
### 01-5514A

Sanden 134a	
Series	SD5H14
Clutch	1 Offset, 12V
Dia.	122mm
Belt	½"
Fittings	V-3/4x7/8
Head	FL
Sanden	4530



### 01-95521

Denso 134a	
Series	10PAC15
Clutch	1 VG, 24V
Dia.	
Belt	
OEM	Komatsu
	418-S62-3160



### 01-95553

Denso 134a	
Series	10S15C
Clutch	1 VG, 24V
Dia.	
Belt	
Fittings	
OEM	Komatsu



### 01-95625

Denso 134a	
Series	10PAC17
Clutch	1, 12V
Dia.	
Belt	
Fittings	
OEM	John Deere
RE46657	TY6626



### 01-95693

Denso 134a	
Series	10PAC17
Clutch	8 PV, 12V
Dia.	
Belt	
Fittings	
OEM	John Deere
RE46609	TY6764



### 01-95741

Denso 134a	
Series	10PAC17
Clutch	8 PV, 24V
Dia.	
Belt	
Fittings	
OEM	John Deere
AT168543	AT226273



### 01-95749

Denso 134a	
Series	10S17C
Clutch	8 PV, 24V
Dia.	
Belt	
Fittings	
OEM	CAT
305-0324	245-7779



### 01-95759

Denso 134a	
Series	10PAC17C
Clutch	1, 24V
Dia.	
Belt	
Fittings	
OEM	John Deere
AT163728	TY6783



### 01-95789

Denso 134a	
Series	10S17
Clutch	1, 24V
Dia.	
Belt	
Fittings	
OEM	CAT
231-6984	245-7781



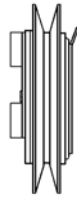




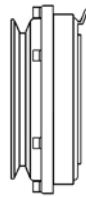
# COMPRESSOR CLUTCHES

## ICE/TAMA CLUTCHES

COMPRESSOR CLUTCHES



1 VG



1 Offset



2 GR



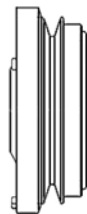
PV

GROOVES	VOLT	CLUTCH DIA. (MM)	MODEL NO.	DTAC NO.
1 VG	12	159mm	TM15HD/TM16HD	01-70148
1 VG	24	159mm	TM15HD/TM16HD	01-70149
2 GR	12	135mm	TM15HD/TM16HD	01-70151
2 GR	24	135mm	TM15HD/TM16HD	01-70150
6 PV	12	123mm	TM15HD/TM16HD	01-70144
8 PV	12	123mm	TM15HD/TM16HD	01-70155
8 PV	24	123mm	TM15HD/TM16HD	01-70156

## NIPPONDENSO CLUTCHES

GROOVES	VOLT	MODEL NO.	DTAC NO.
1	24	10PA15	01-15521
8 PV	12	10PAC17	01-15693

## SANDEN CLUTCHES



1 CAT



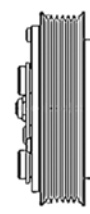
1 Offset



1 VG



2 GR



PV

GROOVES	VOLT	CLUTCH DIAM	MODEL NO.	COIL ONLY P/N	DTAC NO.
1 GR	24	138mm (5.43in)	SD7H15		01-14604
1 GR CAT	12	138mm (5.43in)	SD7H15		01-14608
1 Offset (KW Only)	12	122mm (4.80in)	SD-508HD		01-13117
1 VG	12	158mm (6.22in)	SD-510HD	01-14112	01-13112
1 VG	12	158mm (6.22in)	SD7H15		01-26719
1 VG	24	158mm (6.22in)	SD-510HD	01-14116	01-13116
1 VG	24	158mm (6.22in)	SD7H15		01-16719
10 PV	12	125mm (4.92in)	SD-508/510		01-13210
2 GR	12	125MM (4.92in)	SD-709HD	01-14115	01-13120
2 GR	12	132mm (5.20in)	SD5H14	01-14110	01-13110
2 GR	12	132mm (5.20in)	SD7H15		01-13119
2 GR	12	132mm (5.20in)	SD7H15	01-14713	01-14647
2 GR	24	132mm (5.20in)	SD5H14	01-14113	01-13113
2 GR	24	132mm (5.20in)	SD7H15	01-14871	01-14435
7 PV	12	119mm (4.69in)	SD-508		01-13118
7 PV	24	119mm (4.69in)	SD-508	01-14113	01-13121
8 PV CAT (Less Coil)			SD7H15		01-14637

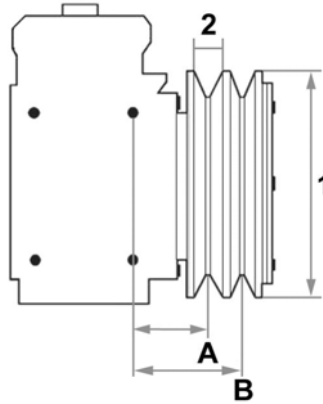




# COMPRESSOR CLUTCHES

## YORK CLUTCHES

### A/C CLUTCH IDENTIFICATION DIAGRAM



When ordering a clutch for replacement, use the method described below to determine the clutch needed.

1. Measure outside diameter of pulley.
2. Measure width of pulley groove at top of groove to determine belt size.
3. Is pulley single or double groove?
4. Measure accurately the distance from center of pulley to center of compressor mounting hole per diagram above (A to B dimension).
5. Use chart to determine part number.

Note: This procedure works on either York or Tecumseh style compressors.

GROOVES	VOLT	DIA. (IN)	BELT SIZE	DIMENSIONS		OEM	DTAC NO.
				A	B		
1	12	6.3	5/8	2 3/4		Navistar I.H.	01-07941
1	12	6.75	1/2	2 3/4			01-10586
1	12	6.75	3/4	3 1/16			01-11947
1	12	6.75	5/8	1 13/16			01-10582
1	12	6.75	5/8	3 1/8			01-10596
1	12	7.375	3/4	1 15/16			01-10761
2	12	6	1/2	1 11/16	2 1/4		01-07531
1	12	6	1/2	2 3/4		Navistar I.H.	01-07931
2	12	7	1/2	1 11/16	2 1/4		01-07534
2	24	6	1/2	1 11/16	2 1/4		01-10204
2	24	7	1/2	1 11/16	2 1/4		01-10223
2, Two Wire	12					Freightliner 024-25238	01-22582
6 PV	12	5.8				Navistar I.H.	01-07951
6 PV, Two Wires	12					Freightliner 024-25241	01-22583
8 PV	12	5.29				Navistar I.H.	01-07981
8 PV, Two Wires	12					Freightliner 024-25247	01-22584



# COMPRESSOR FITTINGS & ADAPTERS

## COMPRESSOR ADAPTERS



DESCRIPTION	DTAC NO.
Tube-O to Rotolock Adapter	01-01954



DESCRIPTION	DTAC NO.
Rotolock to Tube-O Adapter	01-01955

## CATERPILLER COMPRESSOR FITTINGS



DESCRIPTION	DTAC NO.
CAT #10 Low Side Compressor Fitting w/134A Service Port. Includes Cap No. 01-00663	01-3E4054
CAT #8 High Side Compressor Fitting w/134A Service Port. Includes Cap No. 01-00664	01-3E4053

## R134a SERVICE PORT ADAPTERS

### 90 Deg. Swivel



Discontinuing – Limited stock available

DESCRIPTION	DIMENSIONS	LOCATION	MATERIAL	DTAC NO.
90 Deg. Swivel	16mm 7/16 x 20 (1/4")	DISCHARGE	Steel	01-00953
90 Deg. Swivel	13mm 7/16 x 20 (1/4")	SUCTION	Steel	01-00954
90 Deg. Swivel	16mm 3/8 x 24 (3/16")	DISCHARGE	Steel	01-00955

### Straight



Discontinuing – Limited stock available

DESCRIPTION	DIMENSIONS	LOCATION	MATERIAL	DTAC NO.
Straight	16mm 7/16 x 20 (1/4")	DISCHARGE	Steel	01-00995
Straight	13mm 7/16 x 20 (1/4")	SUCTION	Steel	01-00996
Straight	16mm 3/8 x 24 (3/16")	DISCHARGE	Steel	01-00997

## SERVICE VALVES

### ROTOLOCK TO FLARE

Discontinuing – Limited stock available



1/4" R12 Service Port



1/4" R12 Service Port with Backseat

DESCRIPTION	FITTING	HOSE	PORT	OPTION	DTAC NO.
Rotolock to Flare	8	13/32	1/4" R12 Service Port		01-02020
Rotolock to Flare	10	1/2	1/4" R12 Service Port		01-02021
Rotolock to Flare	8	13/32	1/4" R12 Service Port	with Backseat	01-05099
Rotolock to Flare	10	1/2	1/4" R12 Service Port	with Backseat	01-06020



# COMPRESSOR FITTINGS & ADAPTERS

## SERVICE VALVES

### ROTOLOCK TO O-RING



1/4" R12 Service Port



1/4" R12 Service Port with Backseat



134a Charge Port

DESCRIPTION	FITTING	HOSE	PORT	OPTION	DTAC NO.
Rotolock to O-ring	8	13/32	1/4" R12 Service Port		01-02031
Rotolock to O-ring	10	1/2	1/4" R12 Service Port		01-02032
Rotolock to O-ring	8	13/32	1/4" R12 Service Port	with Backseat	01-06023
Rotolock to O-ring	10	1/2	1/4" R12 Service Port	with Backseat	01-06024
Rotolock to O-ring	8	13/32	134a Charge Port		01-20313
Rotolock to O-ring	10	1/2	134a Charge Port		01-20323

### TUBE-O TO O-RING



1/4" R12 Service Port



1/4" R12 Service Port with Backseat



134a Charge Port

DESCRIPTION	FITTING	HOSE	PORT	OPTION	DTAC NO.
Tube-O to O-ring	8	13/32	1/4" R12 Service Port		01-02024
Tube-O to O-ring	10	1/2	1/4" R12 Service Port		01-02025
Tube-O to O-ring	8	13/32	1/4" R12 Service Port	with Backseat	01-06025
Tube-O to O-ring	10	1/2	1/4" R12 Service Port	with Backseat	01-06026
Tube-O to O-ring	8	13/32	134a Charge Port		01-20243
Tube-O to O-ring	10	1/2	134a Charge Port		01-20253

COMPRESSOR FITTINGS & ADAPTERS



# COMPRESSOR MANIFOLDS

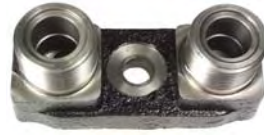
## ICE/TAMA COMPRESSOR MANIFOLDS



01-30105



01-60103



01-60105



01-60130

POSITION ON CYL. HEAD	SUCTION PORT	DISCHARGE PORT	FITTINGS	DTAC NO.
Horizontal	#10 O-ring (7/8" thd.)	#8 O-ring (3/4" thd.)	H-3/4X7/8	01-30105
Vertical	#10 O-ring (7/8" thd.)	#8 O-ring (3/4" thd.)	V-3/4X7/8	01-60103
Horizontal	1" - 14 Tube-O	1" - 14 Tube-O	H-1X14 Tube-O	01-60105
Vertical	1" - 14 Tube-O	1" - 14 Tube-O	V-1X14 Tube-O	01-60130

## NIPPONDENSO COMPRESSOR MANIFOLDS

Note: Gasket Not Included



POSITION ON CYL. HEAD	FITTINGS	DTAC NO.
Horizontal	10PA	01-69715

## SANDEN FLX7 COMPRESSOR MANIFOLDS



01-04861



01-04865



01-04867



01-04869


POSITION ON CYL. HEAD	SUCTION PORT	DISCHARGE PORT	FITTINGS	DTAC NO.
Vertical	#10 O-ring (7/8" thd.)	#8 O-ring (3/4" thd.)	V-3/4X7/8	01-04861
Horizontal	#10 O-ring (7/8" thd.)	#8 O-ring (3/4" thd.)	H-3/4X7/8	01-04865
Vertical	1" - 14 Tube-O	1" - 14 Tube-O	V-1X14 Tube-O	01-04867
Horizontal	1" - 14 Tube-O	1" - 14 Tube-O	H-1X14 Tube-O	01-04869

COMPRESSOR MANIFOLDS




# COMPRESSOR PARTS & ACCESSORIES


## CAPS




TYPE	THREAD	COLOR	USAGE	DTAC NO.
Access Cap - 1/4"	7/16-20	Black	R12 Service Ports	01-04027
Access Cap - 3/16"	3/8-24	Black	R12 Service Ports	01-04029




TYPE	THREAD	COLOR	USAGE	DTAC NO.
Access Cap - 134a	10mm	Red	High Flow	01-00155
Access Cap - 134a	9mm	Blue	High Flow	01-00156




TYPE	THREAD	COLOR	USAGE	DTAC NO.
Access Cap - 134a	13mm	Black	01-3E4054	01-00663
Access Cap - 134a	16mm	Black	01-3E4053	01-00664



TYPE	THREAD	COLOR	USAGE	DTAC NO.
Access Cap - 134a	13mm	Black	ATCO, OEM & Aftermarket	01-00651
Access Cap - 134a	16mm	Black	ATCO, OEM & Aftermarket	01-00652



TYPE	COLOR	USAGE	DTAC NO.
Backseat Dust Cap	Black	Service Valve with Backseat	01-04028



TYPE	COLOR	USAGE	DTAC NO.
Compressor Cap	Black	York/Tecumseh	01-29000

COMPRESSOR PARTS & ACCESSORIES



# COMPRESSOR PARTS & ACCESSORIES

## IDLER PULLEYS & ACCESSORIES

01-11149



DESCRIPTION	DTAC NO.
1/2" Idler Pulley 3 1/8" Diameter	01-11149

01-11150



DESCRIPTION	DTAC NO.
Back Side Idler 3" Diameter	01-11150

01-12410



DESCRIPTION	DTAC NO.
Shoulder Bolt	01-12410

75R6040



Includes:

- 01-11149
- 01-12410
- 83-40104

DESCRIPTION	DTAC NO.
Belt Tension Kit	75R6040

83-40104



DESCRIPTION	DTAC NO.
1-1/4" Eccentric Arm	83-40104

## O-RINGS



DESCRIPTION	DTAC NO.
GM Back plate O-ring	01-28001
Rotolock O-ring	01-28003
TAMA Manifold O-ring	01-28000
Tube-O O-ring	01-28004

## SHAFT KEY

01-27000



DESCRIPTION	DTAC NO.
GM Shaft Key	01-27000

01-27010



DESCRIPTION	DTAC NO.
Tecumseh/York Shaft Key	01-27010

## VALVE CORE

01-04025



DESCRIPTION	DTAC NO.
Valve Core Standard Flow	01-04025

01-04026



DESCRIPTION	DTAC NO.
GM Big Bore Valve Core	01-04026

01-04150



DESCRIPTION	DTAC NO.
134A Valve Core High Flow	01-04150

01-04155



DESCRIPTION	DTAC NO.
High Flow Valve Core / 16mm	01-04155

01-04159



DESCRIPTION	DTAC NO.
High Flow Valve Core / 13mm	01-04159

COMPRESSOR PARTS & ACCESSORIES

- **BLOWER WHEELS**
- **FAN BLADES**
- **LOUVERS & DUCTING**
- **MOTOR & FAN ASSEMBLIES**



# BLOWER WHEELS & FAN BLADES

## BLOWER WHEELS

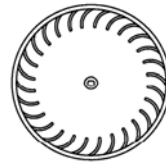
S.I. = Single Inlet D.I. = Double Inlet CON = Conical

Rotation determined by facing hub end.

CCW Rotation ←



→ CW Rotation



TYPE	DIA.	WIDTH	HUB BORE	ROTATION	HUB FACE	OEM NO.	UNIT APPLICATION	DTAC NO.
S.I.	2 13/16	1 7/8	5/16	CW			217	02-01034CW
S.I.	2 13/16	1 7/8	5/16	CCW			217	02-01034CCW
S.I.	5 1/4	3 1/2	5/16	CCW	CON	RD-3106-9, 73R6050	R-7810	02-16013
S.I.	5 1/4	3 1/2	5/16	CW	CON	RD-3106-15, 73R6200	R-8810	02-16014
S.I.	5 1/4	2 1/2	5/16	CCW	CON	RD-3106-14,73R61 50	R-8515, R-8535	02-16015
S.I.	5 1/4	2 1/2	5/16	CW	CON	RD-3106-10, 73R6100	R-5040-0	02-16016
D.I.	3 3/16	3 3/4	5/16	CW/CCW	FLAT	260680, 73R7050, 73R7070	Hardhat,140,141,3 00,301,302,315	02-16020
S.I.	4 3/4	3 1/4	5/16	CCW	CON	22180-70-001	Freightliner,310,40 0,402,403,430,500, 800,901,902	02-16039
S.I.	3 13/16	2 1/2	5/16	CCW	FLAT	RD-5-4624-0, 73R6300	R-6000,R-6100	02-16041
S.I.	3 13/16	2 1/2	5/16	CW	FLAT	RD-5-4626-0,73R6 350	R-6000, R-6100	02-16042
S.I.	5 3/4	3	5/16	CCW	CON	73R6370		02-16043
S.I.	5 1/4	3 1/2	5/16	CW	CON	RD-5-5263-0, 73R6230	R-8820	02-16047
S.I.	5 1/4	3 3/4	5/16	CW/CCW	FLAT	RD-3-2557-0, 73R7150	R-7830, R-8220, R-8720	02-16048
S.I.	5 3/4	3 1/2	5/16	CW	CON		CH Mack	02-16054
S.I.	4 3/4	3 1/4	3/8	CW/CCW	FLAT			02-16057
S.I.	4 3/4	3 1/4	5/16	CW/CCW	FLAT			02-16064
S.I.	4 3/4	3 1/4	5/16	CW	CON		310,400,402,403,4 30,500,800,901,90 2	02-16400
D.I.	4 1/8	3 7/16	5/16	CW/CCW	FLAT		700	02-16700

## FAN BLADES



NO. OF BLADES	DIA.	HUB BORE	ROTATION	OEM NO.	UNIT APPLICATION	DTAC NO.
4	6	1/4	CW	RD-3133-9, 73R8050	210, 211, 215, R-254, R-255	02-16004
5	7	5/16	CW	265530	Rooftop Condensers	02-16005
4	10	5/16	CW	RD-4-3508-0, 73R8100	701, R-9727, R-6000, KA300	02-16008
4	10	3/8	CW			02-16038
5	8	5/16	CW	265605, 73R8080	Rooftop Application	02-16051

BLOWER WHEELS & FAN BLADES





# LOUVERS & DUCTING

## DUCT HOSE CONNECTORS

02-01892



- 2.5" Duct Hose Y-Connector
- Black Plastic

DESCRIPTION	DTAC NO.
Duct Hose Y-Connector	02-01892

02-50171



- 2.5" Duct Hose Y-Connector
- Black Plastic

DESCRIPTION	DTAC NO.
Duct Hose 90 Deg. Connector	02-50171

11-25001



- Bolt-on 2.5" Duct Hose Connector
- Used to Convert Louver Outlet to Duct Hose Outlet
- Black Powder Coated Metal

DESCRIPTION	DTAC NO.
Bolt-on Duct Hose Adapter	11-25001

## LOUVERS

02-16061



- Black Plastic

DESCRIPTION	DTAC NO.
3.5" Round Louver	02-16061

02-16065



- Black Plastic

DESCRIPTION	DTAC NO.
4.5" Round Louver	02-16065

02-16069



- Bolt-on Angled Duct with 3.5" Round Louver & 2.5" Duct Hose Adapter
- Black Powder Coated Metal

DESCRIPTION	DTAC NO.
Bolt-On 3.5" Round Louver	02-16069

02-16073



- 3.5" Round Angled Louver
- Black Plastic

DESCRIPTION	DTAC NO.
3.5" Angled Louver	02-16073

02-16074



- Bolt-on Angled Duct with 3.5" Round Angled Louver & 2.5" Duct Hose Adapter
- Black Powder Coated Metal

DESCRIPTION	DTAC NO.
Bolt-On 3.5" Round Angled Louver	02-16074

02-50169



- 2.5" Round Ball Louver
- Black Plastic

DESCRIPTION	DTAC NO.
2.5" Round Ball Louver	02-50169

02-50172



- 2.5" 90° Louver with 2.5" Duct Hose Connector
- Includes 02-50169 Round Ball Louver
- Black Plastic

DESCRIPTION	DTAC NO.
2.5" 90 Deg. Round Ball Louver	02-50172

02-62003



- 4" Closable Round Louver with Bolt-on Frame
- Black Plastic

DESCRIPTION	DTAC NO.
4" Closable Round Louver	02-62003

02-62022



- 4" Closable Rectangular Louver
- Black Plastic

DESCRIPTION	DTAC NO.
4" Closable Rectangular Louver	02-62022

02-62032



- 4" Closable Louver with 2.5" Duct Hose Connector
- Black Plastic

DESCRIPTION	DTAC NO.
4" Closable Round Louver	02-62032

12-01602



- Bolt-on Louver Assembly
- 2.5" Duct Hose Connector with (2) 3.5" Round Louvers
- Black Powder Coated Metal

DESCRIPTION	DTAC NO.
Bolt-On Louver Assembly	12-01602

## 410-AL1



- Universal Air Plenum Assembly (Single)
- Includes One Louver, Three Feet of 2.5" Duct Hose & Mounting Hardware
- Black Powder Coated Metal

DESCRIPTION	DTAC NO.
Universal Air Plenum Assembly (Single)	410-AL1

## 410-AL4



- Universal Air Plenum Assembly (Quad)
- Includes Four Louvers, Sixteen Feet of 2.5" Duct Hose, Two Duct Hose Y-adapters & Mounting Hardware
- Black Powder Coated Metal

DESCRIPTION	DTAC NO.
Universal Air Plenum Assembly (Quad)	410-AL4

## 420-AP2



- Universal Air Plenum Assembly (Dual)
- Includes Two Louvers, Twelve Feet of 2.5" Duct Hose & Mounting Hardware
- Black Powder Coated Metal

DESCRIPTION	DTAC NO.
Universal Air Plenum Assembly (Dual)	420-AP2



# MOTOR & FAN ASSEMBLIES

## LOW PROFILE FAN ASSEMBLIES

MOTOR & FAN ASSEMBLIES



02-4009S/S-24



02-4010S/S-24



02-4011KOM-24



02-4011S/S-24



02-4011SP-24



02-4012HP



02-4012K-12



02-4012S/S-24



02-4014S/S-24

SIZE	VOLT	BLADE		DTAC NO.
		REVERSIBLE	TYPE	
9" Puller	12 / 24	No	Curved	02-4009S / 02-4009S-24
10" Puller	12 / 24	No	Curved	02-4010S-12 / 02-4010S-24
11" Puller	24	No	Curved	02-4011KOM-24
11" Puller	12 / 24	No	Curved	02-4011S / 02-4011S-24
11" Puller	24	No	Curved	02-4011SP-24
12" Pusher	12	No	Curved	02-4012HP
12" Puller	12	No	Straight	02-4012K-12
12" Puller	12 / 24	No	Straight	02-4012S / 02-4012S-24
14" Puller	12 / 24	Yes	Curved	02-4014S / 02-4014S-24

## AUXILIARY DASH FAN



DESCRIPTION	VOLT	DTAC NO.
All Purpose Fan with Metal Guard	12	02-19062
All Purpose Fan with Metal Guard	24	02-19064



# MOTOR & FAN ASSEMBLIES

## BLOWER ASSEMBLIES

MOTOR & FAN ASSEMBLIES



\*Sold as Assemblies Only

VOLT	APPLICATION	DTAC NO.
12	232	02-04203



\*Sold as Assemblies Only

VOLT	APPLICATION	DTAC NO.
24	500-C	02-04204
12	"	02-04205



\*Sold as Assemblies Only

VOLT	APPLICATION	DTAC NO.
12	505	02-17503
24	"	02-17523



\*Sold as Assemblies Only

VOLT	APPLICATION	DTAC NO.
12	701, 702, 706	02-17408
12	Replaced by 02-17512	02-17412
12	Replaced by 02-17524	02-17414
24	701, 702	02-17509
12	331	02-17512
24	331	02-17524



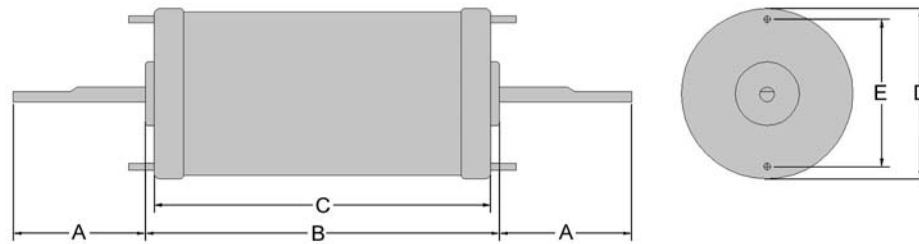
\*Sold as Assemblies Only

VOLT	APPLICATION	DTAC NO.
12	141, 212, 300, 301, 305, 315, 502, 601, 605	30-51580
24	"	30-51581



# MOTOR & FAN ASSEMBLIES

## DOUBLE SHAFT MOTORS



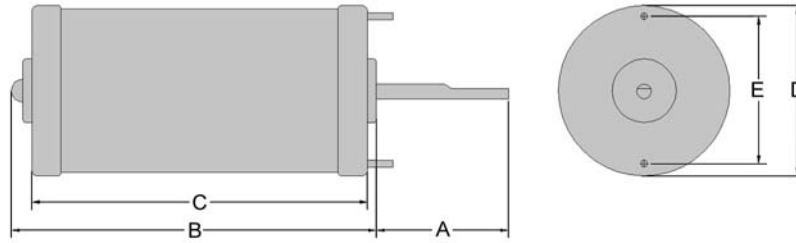
VENT	VOLT	SHAFT SIZE	ROTATION	SPEED	MOUNT	A	B	C	D	E	DTAC NO.
Vented	12	5/16	CW-CCW	3	Strap, SH, Stud	3 5/16	4 1/8	3 3/8	3	2 5/16	02-17003
Vented	12	5/16	CW-CCW	1	Strap	3 1/4	4 1/8	3 1/2	3	2 5/16	02-17005
Vented	12	5/16	CW-CCW	1	Stud	2 7/8	5 1/8	4 1/2	3	2 7/16	02-17009
Non-Vent	12	5/16	CW-CCW	1	Stud	4 5/8	4 3/4	4 1/8	3	2 5/16	02-17015
Vented	12	5/16	CW-CCW	1	Stud	2 1/2	4 3/4	4 1/16	3	2 5/16	02-17018
Non-Vent	12	5/16	CW-CCW	1	Strap	1 7/8	4 7/8	4 1/8	3		02-17022
Vented	12	5/16	CW-CCW	1	Strap	2 3/4	4 1/2	3 7/8	3 1/16		02-17040
Vented	12	5/16	CCW	1	Strap	2 7/8	5 1/32	4 9/32	3		02-17049
Vented	12	3/8	CW-CCW	3	Stud	4 1/4	5	4 1/8	3 1/2	2 27/32	02-17052
Vented	12	5/16	CCW	1	Strap	2 25/32	5 7/32	4 15/32	3		02-17053
Vented	12	5/16	CCW	1	Stud	3 9/32	5 17/32	4 15/16	3	2 5/16	02-17054
Vented	12	5/16	CW-CCW	1	Strap	3 5/8	4 3/4	4 1/8	3		02-17073
Vented	24	5/16	CW-CCW	3	Strap, SH, Stud	2 15/16	4	3 5/16	3	2 5/16	02-17103
Vented	24	5/16	CW-CCW	1	Stud	2 13/16	5 1/4	4 1/2	3	2 9/16	02-17109
Vented	24	5/16	CW-CCW	1	Stud	2 1/2	4 3/4	4 1/16	3	2 5/16	02-17118
Non-Vent	24	5/16	CW-CCW	1	Strap	1 7/8	4 3/4	4 1/8	3	2 5/16	02-17122
Vented	24	3/8	CW-CCW	3	Stud	4 1/4	5 3/16	4 3/16	3 1/2	2 27/32	02-17152
Vented	24	5/16	CW-CCW	1	Strap	3 5/8	4 3/4	4 1/8	3		02-17173
Vented	27	3/8		1	Strap	3 1/2	5 1/2	4 4/5	3		02-41494



# MOTOR & FAN ASSEMBLIES

## SINGLE SHAFT MOTORS

MOTOR & FAN ASSEMBLIES



VENT	VOLT	SHAFT SIZE	ROTATION	SPEED	MOUNT	A	B	C	D	E	DTAC NO.
Vented	12	5/16	CW	1	Stud	1 5/8	5 5/16	4 7/16	3	2 5/16	02-17002
Vented	12	5/16	CW	2	Stud	1 5/16	4 9/16	3 3/4	3	2 5/16	02-17004
Non-Vent	12	1/4	CW	2	Stud	5/8	3 1/2	2 13/16	3	2 5/16	02-17008
Vented	12	5/16	CW	3	Stud	1 3/8	5	4 1/8	3 1/2	2 27/32	02-17012
Vented	12	5/16	CW-CCW	1	Stud	1 7/16	4 5/8	3 15/16	3	2 5/16	02-17017
Vented	12	*	CW	1	Flange	1 3/16	4 7/8	4 1/8	3 1/8		02-17024
Vented	12	3/8	CCW	3	Stud	7/8	5 1/8	4 1/4	3 1/2	2 7/8	02-17028
Non-Vent	12	*	CW	1	Flange	1 3/16	4 1/8	3 7/8	3 1/8		02-17032
Non-Vent	12	1/4, 5/16	CW-CCW	1	Stud	1	3 3/4	2 7/8	3	2 5/16	02-17035
Vented	12	5/16	CCW	1	Flange	1 25/32	4 1/2	3 3/4	3 1/4		02-17045
Vented	12	5/16	CW	1	Stud	1 7/16	4 3/4	4	3	2 5/16	02-17046
Vented	12	5/16	CCW	1	Flange	1 3/8	4 15/16	4 3/16	3 1/4		02-17048
Vented	12	5/16	CW	1	Stud	2 3/32	4 19/32	3 27/32	3	2 5/16	02-17050
Vented	24	5/16	CW	2	Stud	1 1/2	4 3/4	4 1/16	3	2 5/16	02-17104
Vented	24	5/16	CCW	2	Stud	1 1/2	5	4 1/8	3	2 5/16	02-17106
Non-Vent	24	1/4	CW	2	Stud	5/8	3 1/2	2 13/16	3	2 5/16	02-17108
Vented	24	5/16	CW	1	Stud	1 5/8	4 3/4	3 7/8	3	2 5/16	02-17117
Non-Vent	24	1/4, 5/16	CW-CCW	1	Stud	1	3 3/4	2 7/8	3	2 5/16	02-17135
Non-Vent	24	5/16	CCW	1	Stud	1	5	4	3	2 5/16	02-17155
Vented	12	5/16	CW-CCW	3	Stud	1 3/4	4	3 1/8	3	2 5/16	02-18005
Vented	24	5/16	CW-CCW	3	Stud	1 3/4	4	3 1/8	3	2 5/16	02-18105
Vented	27	3/8		1	Stud	1 1/4	4 5/9	4	3	2 7/16	02-41495
Vented	12	5/16	CCW	1	Stud	1 29/32	4 13/32	3 21/32	3	2 5/16	02-47011
Non-Vent	12	5/16	CW-CCW	1	Strap	1 1/4	4 1/2	3 3/4	3		02-48005
Non-Vent	24	5/16	CW-CCW	1	Strap	1 1/4	4 1/2	3 3/4	3		02-48105

- **SWITCHES**
- **FACE PLATES & KNOBS**
- **PRESSURE, AIR & CYCLING SWITCHES**
- **CIRCUIT BREAKERS, RELAYS & RESISTORS**





# SWITCHES

## TOGGLE SWITCHES



TYPE	TERMINALS	FUNCTION	NOTES	DTAC NO.
SPDT	3	On, Off, On		03-13016
DPDT	6	On, Off, On		03-13017
DPDT	4	On, On, On		03-13018
DPDT	9	On, Off, On		03-13019
SPDT	2	On, --, Off		03-13020
SPDT	3	On, --, On		03-13021
SPDT	3	On, --, Off	Lighted	03-13023
SPDT	2	On, --, Off	Wire Leads	03-13038
DP	10	Off, On, On, On		03-13040

## LEVER SWITCHES



Switches are identical except 03-13048 has mounting ear on 2 parallel terminal side of switch and 03-13048-1 has ears on 3 parallel terminal side of switch.

TYPE	TERMINALS	FUNCTION	DTAC NO.
SPST	5	Off, On, On, On	03-13048
SPST	5	Off, --, --, On	03-13048-1

## ROCKER SWITCHES



TYPE	TERMINALS	FUNCTION	DTAC NO.
SPDT	3	On, Off, On	03-13008
DPDT	5	On, Off, On	03-13010
DPDT	6	On, Off, On	03-13012
DPST	5	On, --, On	03-13014
SPST	2	On, --, Off	03-13015

## ROTARY SWITCHES



03-13001



03-13002



03-13003



03-13004



03-13006



03-13049



03-11126

DESCRIPTION	TYPE	TERMINALS	FUNCTION	DTAC NO.
3 Speed Tandem Switch w/ Resistor	DP3T	5	Off, Low, Med, High	03-13001
3 Speed Rotary Switch w/ Resistor	DP3T	5	Off, Low, Med, High	03-13002
2 Speed Rotary Switch w/ Resistor	DP2T	2	Off, Low, High	03-13003
3 Speed Rotary Switch, Long Shaft	DP3T	5	Off, Low, Med, High	03-13004
3 Speed Rotary Switch, Short Shaft	DP3T	5	Off, Low, Med, High	03-13006
4 Speed Rotary Switch, Short Shaft	DP4T	6	Off, Low, Med1, Med2, High	03-13049
3 Speed Switch Plug				03-11126

SWITCHES

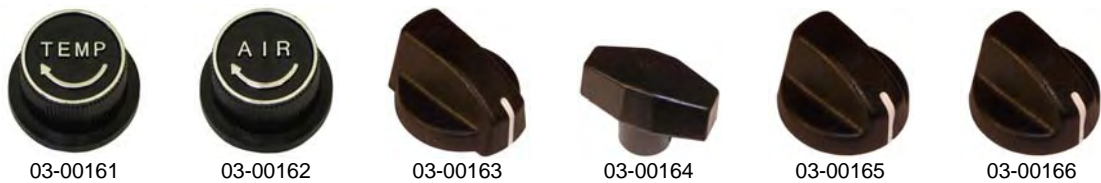


## SWITCHES FACE PLATES



DESCRIPTION	APPLICATION	DIMENSIONS (IN)		DTAC NO.
		L x W	CUTOUT	
Air & Temp	141, 300, 301, 305, 310, 315C, 315HC, 701	1.5 x 3.38	.65	12-50419
Heat/Cool	301, 315HC, 315HCR, 402, 430, 702, 800, 822, 823	1.5 x 1.5	.65	12-50420
Air/Fan Switch	142, 210, 211, 215, 402, 430, 702	1.5 x 1.5	.65	12-50421
Universal	602, 603	1.5 x 1.5	.65	12-50422
Air, Temp, Heat & Cool	901	4 x 1.5	.512	12-50423
Air & Temp	500, 502, 800, 822, 823	3 x 1.25	.65	12-50739
Temp	Universal Lexan Heater/Water Valve	2.27 x 2.27	1.51	12-50740
Temp	Universal Lexan Heater/Water Valve	1.5 x 1.5	.65	12-50741
Temp	Universal Lexan Heater/Water Valve	4.53 x 2.27	1.65 x 1.65	12-50426

## KNOBS



DESCRIPTION	OUTER DIA	D SPRING	DTAC NO.
Thermostat Knob	.85"	.25	03-00161
Fan Knob	.85"	.25	03-00162
Universal Knob	1.313"	.25	03-00163
Rogan Filter Knob	1.485"	1/4-20 Threaded	03-00164
Universal Knob	1"	.25	03-00165
Universal Knob	1"	Metric	03-00166

### How a Binary Switch Works

- Prevents the compressor from operating if system charge is lost or ambient temperature is too low
- Stops compressor if head pressure increases to unsafe levels
- Automatically resets when pressure drops back to normal

### Installation

- Install binary switch on liquid side of A/C system between condenser and expansion valve
- Compatible with R-12 and R134a systems



03-13036



03-13041



03-13042



03-13070  
03-34070  
03-34097

### BINARY PRESSURE SWITCHES

FITTING	TYPE	LOW PRESS	HIGH PRESS		CROSS REF	MFG	DTAC NO.
		OFF	ON	OFF			
Binary Switch Electrical Boot							03-13036
Male 3/8"-24	Normally Open	15-30	210-250	300-350	71R7000	Red Dot	03-13041
Female 7/16"-20	Normally Open	15-30	210-250	300-350	71R7050	Red Dot	03-13042
Female 7/16"-20	Normally Open	25-31	270-326	355-412		Fujikoki	03-13070
Female 7/16"-20	Normally Open	26.5-30.5	224-230	309-315	71R7075	Porch	03-34070
Female M10 Metric	Normally Open	26.5-30.5	224-230	309-315	71R7077	Fujikoki/Porch	03-34097

PRESSURE SWITCHES

## SWITCHES

### How a Trinary Switch Works

- Prevents the compressor from operating if system charge is lost or ambient temperature is too low
- Stops compressor if head pressure increases to unsafe levels
- Automatically resets when pressure drops back to normal
- A shutter/fan override switch keeps head pressure within normal range by opening shutters or operating engine fan to increase air flow across condenser when head pressure rises above set level

### Installation

- Install binary switch on liquid side of A/C system between condenser and expansion valve
- Compatible with R-12 and R134a systems



03-07600  
03-13035



03-07650  
03-13033



03-13037



03-34041

## TRINARY PRESSURE SWITCHES

FITTING	TYPE	LOW PRESS	HIGH PRESS		FAN PRESS		CROSS REF	MFG	DTAC NO.
		OFF	ON	OFF	ON	OFF			
Male 3/8"-24	Normally Closed	15-30	210-250	300-350	35-60	200-230	71R7600	Red Dot	03-07600
Female 7/16"-20	Normally Closed	15-30	210-250	300-350	35-60	200-230	71R7650	Red Dot	03-07650
Female 7/16"-20	Normally Open	15-30	210-250	300-350	35-60	200-230	71R7550	Red Dot	03-13033
Male 3/8"-24	Normally Open	15-30	210-250	300-350	35-60	200-230	71R7500	Red Dot	03-13035
Trinary Electrical Boot							71R4500	Red Dot	03-13037
Female 7/16"-20	Normally Open	25-31	270-326	355-412	164-206	207-249		Fujikoki	03-34041

## HIGH & LOW PRESSURE SWITCHES



03-13030



03-13031



03-13034

DESCRIPTION	FITTING	TYPE	PRESSURES (PSI)		CROSS REF	DTAC NO.
			ON	OFF		
Low Pressure Switch	1/4" Female Flare	Normally Open	34	6	404143	03-13030
High Pressure Switch	1/4" Female Flare	Normally Closed	250	350	404081	03-13031
Low Pressure Switch	Male 3/8"-24	Normally Open	27		71R6050	03-13034



# SWITCHES

## AIR SENSING SWITCHES



TYPE	FITTING	NOTES	CROSS REF	DTAC NO.
Normally Closed	Male 1/8"-27	Opens at 25 PSIG	72R0050	03-00050
Normally Open	Male 1/8"-27	Closes at 21-29 PSIG	72R0070	03-00070

## AIR SOLENOID SWITCHES



TYPE	NOTES	CROSS REF	DTAC NO.
Normally Open or Closed	Normally Open or Closed Depending on Port Used	72R1502	03-13025

## CYCLING SWITCHES



03-06170



03-13032



03-13045

DESCRIPTION	CROSS REF	DTAC NO.
Metric Thread Cycling Switch (M12 x 1.5)	71R6170	03-06170
GM CCOT Cycling Switch	71R6200	03-13032
Ford Cycling Switch	E35H-19E561-AA	03-13045

## FREON SOLENOID SWITCHES



DESCRIPTION	FITTING	CROSS REF	DTAC NO.
Freon Solenoid Valve	#6 Male O-ring	71R9002	03-13024

## CIRCUIT BREAKERS

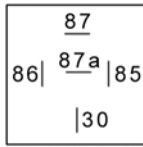


DESCRIPTION	DTAC NO.
Circuit Breaker - 30 Amp	03-13028
Circuit Breaker - 40 Amp	03-13029

AIR, CYCLING & FREON SWITCHES



# SWITCHES RELAYS



03-01702/03-01704



12-00095

DESCRIPTION	VOLT	AMPS	TERMINALS	DTAC NO.
Relay	12	30	5	03-01702
Relay	24	20	5	03-01704
Relay Harness				12-00095

# RESISTORS



03-13043



03-13044



03-13046

DESCRIPTION	TERMINALS	SPEEDS	CROSS REF	DTAC NO.
Resistor	3	3	71R1450	03-13043
Resistor	3	3		03-13044
Resistor	4	4		03-13046



# THERMOSTATS

## CABLE CONTROLLED THERMOSTATS



03-14009



03-14010



03-14012



03-14018

CAPILLARY LEN.	TEMP. RANGE (F)	MOUNT HOLE SPACING	NOTES	CROSS REF	DTAC NO.
19.5"				404077	03-14009
19"		3"		404088	03-14010
43"	30-34	2-15/16"	Push for Cold	71R2800	03-14012
18"	26-66	2-3/16"		71R2600	03-14018

## FIXED THERMOSTATS



03-14006



03-14013

CAPILLARY LEN.	TEMP. RANGE (F)	MOUNT HOLE SPACING	NOTES	CROSS REF	DTAC NO.
24"	34-38	2-1/8"		71R3100	03-14006
24"	31-39		Side & Bottom Mount	71R3200	03-14013

## ROTARY THERMOSTATS



03-14001



03-14002



03-14003



03-14004



03-14016

CAPILLARY LEN.	TEMP. RANGE (F)	CROSS REF	DTAC NO.
18"		71R2100	03-14001
24"		71R2250	03-14002
48"		71R2300	03-14003
49"	34-52	71R2310	03-14004
66"	34-52	71R2400	03-14016

THERMOSTATS

- **EXPANSION VALVES**





# EXPANSION VALVES

## BLOCK TYPE EXPANSION VALVES

EXPANSION VALVES



DESCRIPTION	HOSE		EVAP		CAPACITY (TON)	CROSS REF	DTAC NO.
	IN	OUT	IN	OUT			
Block Type	#6 FO	#10 FO	#8 FO	#8 FO	2		04-15004
Block Type	#6 FO	#10 FO	#8 FO	#10 FO	2		04-15004-1
Block Type IHC	#6 FO Flange	#10 FO Flange			2	1696846C3 IHC	04-15008
Block Type	#6 FO	#10 FO	#8 FO	#8 FO	2		04-15009
Block Type					1 1/2	AT180993	04-15017
Block Type	#6 FO Flange	#10 FO Flange	#8 FO	#8 FO	2	2501794C1 IHC	04-15018
Block Type	#6	#8	#10	#12	2	540056 BERGSTROM / RE57575 JD	04-15019
Block Type	#6	#8	#10	#12	1 1/2	B0A-A4965 FRTLNR / 327302 EDELHOF	04-15020
Block Type	#6	#8	#10	#10	1	BOA93674 FRTLNR	04-15021
Block Type	#6	#8	#12	#12	1	3A581-72170 KUBOTA / 245-7837 / 447500-2750	04-15027

## EXTERNALLY EQUALIZED EXPANSION VALVES



DESCRIPTION	INLET	OUTLET	NUT	CAPILLARY LEN.	EQUALIZER LEN	DTAC NO.
Externally Equalized	#6 MF	#8 MF	1/4" FF	18"	18"	04-15002
Externally Equalized	#6 MO	#8 MO	1/4" FO	13"	13"	04-15003
Externally Equalized	#6 MO	#8 MO	1/4" MO	33"	33"	04-15005
Externally Equalized	#6 MO	#8 MO	1/4" MO	8"	8"	04-15007



# EXPANSION VALVES

## INTERNALLY EQUALIZED EXPANSION VALVES



04-15001



04-15001-0



04-15010



04-15011

DESCRIPTION	INLET	OUTLET	CAPILLARY LEN.	DTAC NO.
Internally Equalized	#6 MF	#8 MF	12"	04-15001
Internally Equalized	#6 MO	#8 MO	12"	04-15001-0
Internally Equalized	18mm	20mm	14"	04-15010
Internally Equalized	16mm	20mm	14"	04-15011

## EXPANSION TUBES



DESCRIPTION	APPLICATION	COLOR	DTAC NO.
Expansion Tube Repair Kit			04-15013
Expansion Tube	GM	White	04-15014
Expansion Tube	Ford	Blue	04-15015
Expansion Tube	Peterbilt	Red	04-15025
Expansion Tube	Peterbilt	Orange	04-15030
Expansion Tube	Navistar	Purple	04-15070
Expansion Tube	Caterpillar	Black & White	04-15075

EXPANSION VALVES



- **HEATER FITTINGS**
- **WATER VALVES**



# HEATER FITTINGS

## HEATER HOSE TO FEMALE O-RING FITTINGS



DESCRIPTION	HOSE	FITTING	DTAC NO.
90 Deg. Fitting	5/8"	#8 FO	05-00301
Straight Fitting	5/8"	#8 FO	05-50818

## HEATER HOSE TO MALE PIPE FITTINGS



HOSE FITTING	FITTING DIA.		DTAC NO.
	HOSE	MALE PIPE	
Male Pipe 90 Deg.	5/8"	1/2"	05-00305
Male Pipe	5/8"	1/2"	05-00306
Male Nipple w/ Hex Nipple	5/8"	1/2"	05-01902
Male Nipple	5/8"	3/8"	05-01903
Short Hex Male Nipple	3/4"	1/2"	05-01904
Male Nipple w/ Restricted Head	5/8"	3/8"	05-01905
Short Hex Male Nipple. Bottom Tapered by 1/8" Pipe	5/8"	1/4"	05-01910
Long Male Pipe Nipple	5/8"	3/8"	05-01911
Long Male Pipe Nipple	3/4"	1/2"	05-01912
Long Male Pipe Nipple	5/8"	1/2"	05-01914
Long Male Pipe Nipple w/ Slotted Head	5/8"	1/2"	05-01923
Long Male Pipe Nipple w/ Slotted Head	5/8"	3/8"	05-01924
Male Pipe with Hex Nipple	5/8"	1/4"	05-01925
Male Pipe Nipple w/ Slotted Head	1"	3/4"	05-01926
Male Pipe w/ Plain Nipple	5/8"	3/8"	05-01927
Male Pipe Nipple w/ Slotted Head	1/2"	3/8"	05-01928
Male Pipe 90 Deg.	5/8"	3/4"	05-01948

HEATER FITTINGS



# HEATER FITTINGS

## HEATER SPLICERS & Y-FITTINGS



DESCRIPTION	HOSE A	HOSE B	DTAC NO.
5/8" 90 Deg. Copper Elbow	5/8"	5/8"	05-00302
Y-Fitting			05-01663
Stepped Splicer	3/4"	5/8"	05-01907
Splicer	5/8"	5/8"	05-01908
Splicer	3/4"	3/4"	05-01909
Stepped Splicer	1"	3/4"	05-01913

# WATER VALVES

## HEATER SHUT OFF WATER VALVES



FITTING 1	FITTING 2	DTAC NO.
3/4" Hose	3/4" Hose	05-00034
5/8" Hose	5/8" Hose	05-00058
3/4" Hose	3/8" Pipe	05-90034
5/8" Hose	3/8" Pipe	05-90058

## CABLE OPERATED WATER VALVES



HOSE SIZE	ACTION	NOTES	DTAC NO.
5/8"	Pull to Open	Inline Automotive	05-04257
5/8"	Pull to Open		05-04258
5/8"	Pull to Close	Flow Toward Clamp	05-05060
5/8"	Pull to Close		05-05200
5/8"	Pull to Open		05-05210

HEATER FITTINGS



# WATER VALVES

## ELECTRICALLY OPERATED WATER VALVES



05-00915A



05-00916A



05-00918A



05-00922A



03-13027



05-00901



05-80501C



05-80901



12-43411A

FITTING 1	FITTING 2	NOTES	DTAC NO.
5/8" - Straight	5/8" - Straight		05-00915A
5/8" - 90 Deg.	5/8" - 90 Deg.	Also Includes 3 Speed Fan Switch & Dual Face Plate	05-00916A
5/8" - 90 Deg.	5/8" - 90 Deg.		05-00918A
5/8" - Straight	5/8" - 90 Deg.		05-00922A
		Electric Actuator	03-13027
		Electric Water Valve Base	05-00901
	5/8" - Straight	Straight Fitting Used with 05-00901	05-80501C
	5/8" - 90 Deg.	90 Degree Fitting Used with 05-00901	05-80901
		Wire Harness for 03-13027	12-43411A

## MANUALLY OPERATED WATER VALVES



05-00305



05-00306



05-00502



05-04260



05-04262

FITTING 1	FITTING 2	INCLUDED		NOTES	DTAC NO.
		KNOB	FACEPLATE		
	5/8" Hose			90 Degree Fittings Used with 05-00502	05-00305
	5/8" Hose			Straight Fittings Used with 05-00502	05-00306
				Brass Ball Valve - No Fittings	05-00502
5/8" - Straight	5/8" Straight	Y	Y		05-04260
5/8" - Straight	5/8" Straight				05-04262

WATER VALVES



- **ACCUMULATORS**
- **DRIER ADAPTERS & FITTINGS**
- **DRIERS**

## ACCUMULATORS

06-12080

- Accumulator

Peterbilt Class 98-up  
OEM# 18-04171



06-75000

- Universal Accumulator



06-75001

- Universal Accumulator



06-75002

- Ford Accumulator



06-75003

- Navistar Accumulator



## ACCUMULATORS

06-75261

- Accumulator

Caterpillar Loader  
CAT# 151-5261



06-75319

- Accumulator

Caterpillar 12H Motor Grader



## DRIER BRACKETS

06-10108

- Double Clamp



06-10109

- 3" Single Clamp



## DRIER ADAPTERS



DESCRIPTION	DTAC NO.
3/8-24 UNF to 2A Male Thread Drier Adapter	06-11704
3/8-24 UNF to 10mm Drier Adapter	06-11705
1/4" to 10mm Drier Adapter	06-11706
10mm to 1/4" Drier Adapter	06-11707

## DRIER FITTINGS

09-60609

- Quick Disconnect #6 Fitting For Use With Driers



## RECEIVER DRIER

### 06-12002

INLET	3/8" MF
OUTLET	3/8" MF
LEN.	6 3/4"
DIA.	3"

- Top Sight Glass
- Side Male Switch Port
- Side Female switch Port



### 06-12013

INLET	3/8" MO
OUTLET	3/8" MO
LEN.	8 1/4"
DIA.	2 1/2"

- Top Sight Glass
- Side Male Switch Port
- Top Female switch Port
- Binary Switch



### 06-12022

INLET	3/8" MO
OUTLET	3/8" MO
LEN.	10"
DIA.	2 3/4"

- Top & Side Sight Glass
- Top & Side Female Switch Port
- Trinary Switch



### 06-12003

INLET	3/8" MF
OUTLET	3/8" MF
LEN.	8"
DIA.	2 1/2"

- Top Sight Glass



### 06-12014

INLET	3/8" MF
OUTLET	3/8" MF
LEN.	10"
DIA.	2 3/4"

- Top Sight Glass
- Side Male Switch Port
- Top Male switch Port
- Binary Switch



### 06-12023

INLET	3/8" MO
OUTLET	3/8" MO
LEN.	10"
DIA.	2 3/4"

- Top & Side Sight Glass
- Top & Side Female Switch Port
- Trinary Switch



### 06-12011-1

INLET	3/8" MO
OUTLET	3/8" MO
LEN.	8 1/4"
DIA.	2 1/2"

- Top Sight Glass
- Side Male Switch Port
- Side Female Switch Port

Freightliner OEM#  
A2214425-2



### 06-12019

INLET	#6 Barb
OUTLET	#6 Barb
LEN.	8"
DIA.	2 1/2"

- Top Sight Glass
- Barb Push-On Fittings



### 06-12030

INLET	3/8" MO
OUTLET	3/8" MO
LEN.	7 1/2"
DIA.	3"

- Side Sight Glass
- Pres. Relief Valve

Peterbilt OEM# 18-01800



### 06-12012

INLET	3/8" MF
OUTLET	3/8" MF
LEN.	8 1/4"
DIA.	2 1/2"

- Top Sight Glass
- Side Male Switch Port
- Top Female Switch Port
- Binary Switch



### 06-12020

INLET	3/8" MO
OUTLET	3/8" MO
LEN.	10"
DIA.	2 3/4"

- Top & Side Sight Glass
- Top & Side Female Switch Port



### 06-12032

INLET	3/8" MO
OUTLET	3/8" MO
LEN.	10"
DIA.	3"

- Top Sight Glass

Kenworth OEM#  
088079-00



## RECEIVER DRIER

RECEIVER DRIERS & ACCUMULATORS

### 06-12033

INLET	3/8" MO
OUTLET	1/2" MO
LEN.	6 1/2"
DIA.	2 1/2"

- No Sight Glass
- In-line

GMC OEM#  
3043061



### 06-12035

INLET	Quick Dis.
OUTLET	Quick Dis.
LEN.	10 3/4"
DIA.	2 1/2"

- Top Sight Glass
- (2) Top Female Switch Port
- Moisture Indicator
- Quick Disconnect Fittings



### 06-12036

INLET	Quick Dis.
OUTLET	Quick Dis.
LEN.	10"
DIA.	3"

- Side Sight Glass
- Moisture Indicator
- Quick Disconnect Fittings



### 06-12039

INLET	3/8" FO
OUTLET	3/8" MO
LEN.	8.95"
DIA.	4"

- Top & Side Sight Glass
- Moisture Indicator

John Deere OEM#  
AT162848



### 06-12040

INLET	3/8" FO
OUTLET	3/8" MO
LEN.	7.4"
DIA.	4"

- (2) Side Sight Glass
- Horizontal Type

John Deere OEM#  
249755, AR59780,  
RE49169

Used in DTAC 36002  
Series Condenser



### 06-12045

INLET	3/8" MF
OUTLET	3/8" MF
LEN.	6"
DIA.	4"

- Side Sight Glass
- Fuse Plug/High Pres. Relief Valve

International Harvester  
OEM#  
539049-R1, 8022147



### 06-12055

INLET	3/8" MO
OUTLET	3/8" MO
LEN.	8 1/4"
DIA.	3"

- Side Female Switch Port
- Moisture Indicator
- Fuse Plug/High Pres. Relief Valve

Freightliner OEM#  
A2228796-0000



### 06-12058-1

INLET	3/8" MO
OUTLET	3/8" MO
LEN.	6 3/4"
DIA.	3"

- Top Sight Glass
- Side Male Switch Port
- Side Female Switch Port
- Fuse Plug/High Pres. Relief Valve

Used in DTAC#  
701 & 702 Series  
Rooftop



### 06-12059

INLET	3/8" MO
OUTLET	3/8" FO
LEN.	8 3/8"
DIA.	3"

- Top Sight Glass
- (2) Top Female Switch Ports
- Moisture Indicator

Freightliner OEM#  
A22-32150, A22-  
34675,  
A22-37199



### 06-12060

INLET	3/8" MO
OUTLET	3/8" MO
LEN.	10"
DIA.	3"

- Top Sight Glass
- Side Bracket
- Moisture Indicator

Ford OEM#  
E8HZ-19959-A,  
F2HZ-19959-A



### 06-12061

INLET	3/8" MO
OUTLET	3/8" MO
LEN.	7 1/4"
DIA.	4"

- Top Sight Glass
- Fuse Plug/High Pres. Relief Valve
- Moisture Indicator
- Side Low Pressure Switch

CAT OEM#  
2534614, 5V5698,  
74R3516, 106-5534



### 06-12062

INLET	3/8" MO
OUTLET	3/8" MO
LEN.	10"
DIA.	2 1/2"

- Side Sight Glass
- In-line

OEM# 74R0460





## RECEIVER DRIER

### 06-12063

INLET	3/8" MF
OUTLET	3/8" MF
LEN.	7 3/4"
DIA.	4"

- Top Sight Glass
- Fuse Plug/High Pres. Relief Valve

CAT OEM#  
6P1309, 74R3506



### 06-12067

INLET	3/8" MO
OUTLET	3/8" MO
LEN.	6 3/4"
DIA.	3"

- Top Sight Glass
- Side Male Switch Port
- Top Female switch Port
- Binary Switch



### 06-12071

INLET	3/8" FO
OUTLET	3/8" MO
LEN.	10"
DIA.	3"

- Side Sight Glass
- Moisture Indicator

KW OEM#  
K251-751



### 06-12064

INLET	3/8" FO
OUTLET	3/8" MO
LEN.	9"
DIA.	4"

- Top & Side Sight Glass

John Deere OEM#  
AT125596



### 06-12068

INLET	3/8" MO
OUTLET	3/8" MO
LEN.	10"
DIA.	2 3/4"

- Top Sight Glass
- Side Male Switch Port
- Top Female switch Port
- Binary Switch



### 06-12073

INLET	3/8" MO
OUTLET	3/8" MO
LEN.	10"
DIA.	3"

- Top Sight Glass
- Fuse Plug/High Pres. Relief Valve
- M10 Switch Port
- Moisture Indicator

Mack OEM#  
221RD335



### 06-12065

INLET	Quick Dis.
OUTLET	Quick Dis.
LEN.	7 3/4"
DIA.	4"

- Top Sight Glass
- Moisture Indicator
- Fuse Plug/High Pres. Relief Valve
- Side Low Pres. Switch
- Quick Disconnect Fittings

CAT OEM#  
8T8642, 9W0549,  
106-5533, 74R3526



### 06-12069

INLET	3/8" MO
OUTLET	3/8" MO
LEN.	8 1/2"
DIA.	2 1/2"

- Top Sight Glass
- Side Female switch Port
- Side Bracket

OEM#  
400-003



### 06-12074

INLET	3/8" MO
OUTLET	3/8" MO
LEN.	9.18"
DIA.	3"

- Fuse Plug/High Pres. Relief Valve
- Moisture Indicator

Volvo/GM Truck 96-97  
Class 8  
VN Series OEM#  
807826



### 06-12066

INLET	3/8" MO
OUTLET	3/8" MO
LEN.	7 1/2"
DIA.	4"

- Top Sight Glass
- Side Male Switch Port
- Fuse Plug/High Pres. Relief Valve
- Moisture Indicator

CAT OEM#  
74R3536



### 06-12070

INLET	7/16" FO
OUTLET	3/8" FO
LEN.	10 1/2"
DIA.	3"

- Side Sight Glass
- Fuse Plug/High Pres. Relief Valve
- Side 134a Charge Port

IHC OEM#  
1693117C1



### 06-12075

INLET	Quick Dis.
OUTLET	Quick Dis.
LEN.	13.84"
DIA.	2 1/2"

- Inline
- Quick Disconnect Fittings

CAT OEM#  
3E-3535, 175-7162



## RECEIVER DRIER

RECEIVER DRIERS & ACCUMULATORS

### 06-12076

INLET	3/8" MO
OUTLET	3/8" MO
LEN.	8 3/8"
DIA.	3"

- Top Sight Glass
- Moisture Indicator
- Female Switch Port
- R134a Charge Port

Volvo OEM#  
01618848-4



### 06-12079

INLET	3/8" MO
OUTLET	3/8" FO
LEN.	8 1/4"
DIA.	3"

- Top Sight Glass
- Fuse Plug/High Pres. Relief Valve
- (2) M10 Switch Port
- Moisture Indicator

Peterbilt OEM#  
18-03783



### 06-12081

INLET	3/8" MO
OUTLET	3/8" MO
LEN.	8"
DIA.	3"

- (2) M10 Switch Port

Peterbilt 94-96  
OEM# 23-14233



### 06-12082

INLET	3/8" MO
OUTLET	3/8" MO
LEN.	10"
DIA.	3"

- Top Sight Glass
- Side Female Switch Port
- Fuse Plug/High Pres. Relief Valve
- Moisture Indicator

Western Star 95-up  
OEM# 5-7517-1

Mack OEM# 221RD334



### 06-12083

INLET	Quick Dis.
OUTLET	Quick Dis.
LEN.	10.2"
DIA.	3"

- Top Sight Glass
- (2) M10 Switch Port
- Moisture Indicator
- Quick Disconnect Fittings

Freightliner 01-up  
OEM# PH08847000



### 06-12084

INLET	3/8" MO
OUTLET	3/8" MO
LEN.	9"
DIA.	3"

- Moisture Indicator

Volvo 97-Current  
OEM# 20447319



### 06-12085

INLET	3/8" MO
OUTLET	3/8" FO
LEN.	7.77"
DIA.	4"

- Horizontal Type

JI Case OEM#  
1990758C2



### 06-12086

INLET	Flange
OUTLET	Flange
LEN.	10"
DIA.	2 3/8"

Komatsu OEM#  
20Y-979-3120

CAT OEM#  
113-3497



### 06-12087

INLET	Pad
OUTLET	Pad
LEN.	284.5mm
DIA.	75mm

- Top Sight Glass
- 134a Charge Port

Volvo OEM#  
11104567



### 06-12089

INLET	Pad
OUTLET	Pad
LEN.	9.5"
DIA.	3.438"

Navistar OEM#  
35442577C2



### 06-12095

INLET	3/8" MO
OUTLET	3/8" MO
LEN.	11"
DIA.	2.5"

OEM# 257-3227



### 06-12096

INLET	Pad
OUTLET	Pad
LEN.	10.75"
DIA.	2.5"

CAT OEM  
# 320-0562



## 06-12097

INLET	Slimline
OUTLET	Slimline
LEN.	10"
DIA.	3"

- Slimline Connect
- (2) M10 Switch Port

Freightliner OEM#  
ABPN 83-319744



## RECEIVER DRIER

### 06-12098

INLET	Slimline
OUTLET	Slimline
LEN.	10.25"
DIA.	3"

- Slimline Connect
- (2) M10 Switch Port
- Moisture Indicator

Freightliner OEM#  
ABPN 83-319534







- **CONDENSER MOUNT BRACKETS**
- **RADIATOR MOUNTED  
CONDENSERS**
- **CONDENSER COILS**
- **EVAPORATOR COILS**
- **HEATER COILS**



# COILS

## CONDENSER MOUNTING BRACKETS



- 1/4" Steel Flat Stock for Extreme Duty Applications
- No Pre Drilled Holes – Drilling Required
- Includes 4 Set of Nuts, Bolts, Washers & Spacers

DESCRIPTION	DTAC NO.
Condenser Mounting Bracket 59" by 1" Wide	07-01051



- 14ga Steel
- Pre Drilled Mounting Holes
- Includes 4 Set of Nuts, Bolts, Washers & Spacers

DESCRIPTION	DTAC NO.
Condenser Mounting Bracket 44" Long by 1" Wide	07-1042KIT



- Designed to Work with 07-01438 Condenser & 02-4011S Low Profile Fans Which Are Sold Separately
- Bracket Accepts Single or Dual Fans

DESCRIPTION	DTAC NO.
Low Profile Fan Mounting Bracket	81-80008

## RADIATOR MOUNTED CONDENSER - MULTIFLOW



FITTINGS	FINS PER INCH	HEIGHT	WIDTH (OVERALL)	DTAC NO.
#6 & #8 Male O-Ring - Same End	14	12	18	07-01218
#6 & #8 Male O-Ring - Same End	14	14	21 3/4	07-01437
#6 & #8 Male O-Ring - Same End	12	14	27	07-01438
#6 & #8 Male O-Ring - Same End	14	19 1/2	28 1/2	07-01466
#6 & #8 Male O-Ring - Opposite End	14	14	28	07-01473
#6 & #8 Male O-Ring - Same End	12	12	27	07-01490

## RADIATOR MOUNTED CONDENSER - TUBE & FIN



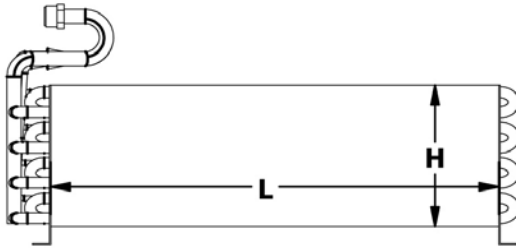
FITTINGS	FINS PER INCH	HEIGHT	WIDTH (OVERALL)	DTAC NO.
#6 & #8 Male O-Ring - Same End	12	12 1/4	26	07-00650

COILS

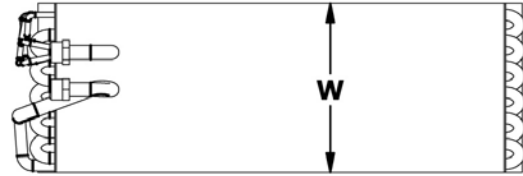


# COILS

## COIL MEASUREMENT GUIDE



Side View



Top View

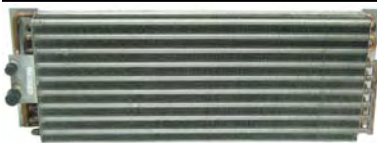
### DTAC REPLACEMENT CONDENSER COILS



FIN DIMENSIONS			UNIT APPLICATION	DTAC NO.
L	W	H		
14.33"	14"	2.5"	07-34002	07-00342



FIN DIMENSIONS			UNIT APPLICATION	DTAC NO.
L	W	H		
19.5"	1.2"	1.88"	701, 702	07-00701



FIN DIMENSIONS			UNIT APPLICATION	DTAC NO.
L	W	H		
22.5"	9"	2.75"	07-35002, 07-36001, 07-36002	07-35001



FIN DIMENSIONS			UNIT APPLICATION	DTAC NO.
L	W	H		
25.87"	9"	4.38"	07-36005	07-36005



FIN DIMENSIONS			UNIT APPLICATION	DTAC NO.
L	W	H		
40"	12"	3.25"	07-78000, 07-78001	07-78001

CONDENSER COILS



# COILS

## DTAC REPLACEMENT EVAPORATOR COILS

EVAPORATOR COILS



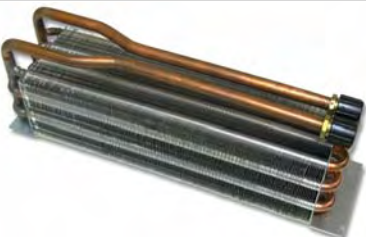
FIN DIMENSIONS			UNIT APPLICATION	DTAC NO.
L	W	H		
13.25"	3.5"	6"	141	07-00141



FIN DIMENSIONS			UNIT APPLICATION	DTAC NO.
L	W	H		
18.5"	4"	3.18"	300	07-00300



FIN DIMENSIONS			UNIT APPLICATION	DTAC NO.
L	W	H		
18.5"	4"	4"	301, 430, 431	07-00301



FIN DIMENSIONS			UNIT APPLICATION	DTAC NO.
L	W	H		
12.88"	4"	3"	305	07-00305



FIN DIMENSIONS			UNIT APPLICATION	DTAC NO.
L	W	H		
16"	6"	5"	310	07-00311



FIN DIMENSIONS			UNIT APPLICATION	DTAC NO.
L	W	H		
29.13"	4"	4"	315 Heat/Cool	07-00315



FIN DIMENSIONS			UNIT APPLICATION	DTAC NO.
L	W	H		
29.13"	4"	4"	315 Cool Only	07-00316



FIN DIMENSIONS			UNIT APPLICATION	DTAC NO.
L	W	H		
26.13"	3.75"	6"	331	07-00330




FIN DIMENSIONS			UNIT APPLICATION	DTAC NO.
L	W	H		
9"	8"	2.5"	500	07-00500




# COILS


## DTAC REPLACEMENT EVAPORATOR COILS




FIN DIMENSIONS			UNIT APPLICATION	DTAC NO.
L	W	H		
13.25"	6"	3.25"	502	07-00502




FIN DIMENSIONS			UNIT APPLICATION	DTAC NO.
L	W	H		
16"	8"	2.5"	701	07-00700




FIN DIMENSIONS			UNIT APPLICATION	DTAC NO.
L	W	H		
16"	8"	5"	702	07-00702




FIN DIMENSIONS			UNIT APPLICATION	DTAC NO.
L	W	H		
14.25"	6"	4.5"	402, 823	07-00912
14.25"	6"	4.5"	402, 403, 800, 822, 901, 902, 903	07-00913



FIN DIMENSIONS			UNIT APPLICATION	DTAC NO.
L	W	H		
14.25"	6"	4.5"	800-C	07-00914



FIN DIMENSIONS			UNIT APPLICATION	DTAC NO.
L	W	H		
8"	3.5"	11.5"	Kobelco Drop-in	07-01550



FIN DIMENSIONS			UNIT APPLICATION	DTAC NO.
L	W	H		
10"	2.5"	8"	Komatsu Drop-in	07-01600

EVAPORATOR COILS





# COILS

## DTAC REPLACEMENT EVAPORATOR COILS



FIN DIMENSIONS			UNIT APPLICATION	DTAC NO.
L	W	H		
14.5"	3.25"	8"	Cat 322, 325, 330 Excavator Drop-in	07-01690



FIN DIMENSIONS			UNIT APPLICATION	DTAC NO.
L	W	H		
11"	2.5"	12"	Cat Haul Truck Drop-in	07-07550

## DTAC REPLACEMENT HEATER COILS



FIN DIMENSIONS			UNIT APPLICATION	DTAC NO.
L	W	H		
21.5"	3"	5"	217	07-00034



FIN DIMENSIONS			UNIT APPLICATION	DTAC NO.
L	W	H		
6.5"	1.88"	6"	210, 211	07-00210



FIN DIMENSIONS			UNIT APPLICATION	DTAC NO.
L	W	H		
12.5"	2.5"	4"	212	07-00212



FIN DIMENSIONS			UNIT APPLICATION	DTAC NO.
L	W	H		
13.75"	2"	6"	215	07-00215



FIN DIMENSIONS			UNIT APPLICATION	DTAC NO.
L	W	H		
6.6"	6"	3.8"	232	07-00232

EVAPORATOR COILS



- **OILS & REFRIGERANTS**



# OILS & REFRIGERANTS

## ESTER OIL



DESCRIPTION	SIZE	DTAC NO.
134a Oil Charge	4 oz. Can	08-00376



DESCRIPTION	SIZE	DTAC NO.
Ester Oil	8 oz. Can	08-HFC
Ester Oil	1 Quart/32 oz.	08-HFCQT
Ester Oil	1 Gallon/128 oz.	08-HFCGAL

## A/C FLUSH



DESCRIPTION	SIZE	DTAC NO.
Flush	1 Quart/32 oz.	08-FLUSH

## PAG OIL



DESCRIPTION	SIZE	DTAC NO.
PAG Oil	8 oz. Can	08-SP20

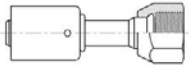
- **BEADLOCK FITTINGS**
- **PUSH ON BARB FITTINGS**
- **ADAPTER & BULKHEAD FITTINGS**
- **FITTING ACCESSORIES**
- **O-RINGS**



# BEADLOCK FITTINGS

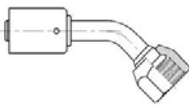
## FEMALE FLARE, STRAIGHT

Discontinuing Flare Fittings – Limited stock available



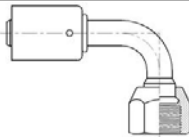
FTG SIZE	HOSE SIZE	HOSE I.D.	THREAD SIZE	PORT	ALUMINUM	STEEL	STEEL RED.
					DTAC NO.	DTAC NO.	DTAC NO.
6	6	5/16"	5/8"-18	-	09-01101BL	-	-
6	8	13/32"	5/8"-18	-	09-01105BL	-	-
8	6	5/16"	3/4"-16	-	09-01108BL	-	-
8	8	13/32"	3/4"-16	-	09-01102BL	-	-
8	10	1/2"	3/4"-16	-	09-01106BL	-	-
10	10	1/2"	7/8"-14	-	09-01103BL	-	-
10	12	5/8"	7/8"-14	-	09-01107BL	-	-
12	12	5/8"	1 1/16"-14	-	09-01104BL	-	-

## FEMALE FLARE, 45°



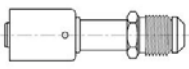
FTG SIZE	HOSE SIZE	HOSE I.D.	THREAD SIZE	PORT	ALUMINUM	STEEL	STEEL RED.
					DTAC NO.	DTAC NO.	DTAC NO.
6	6	5/16"	5/8"-18	-	09-01111BL	-	-
6	8	13/32"	5/8"-18	-	09-01115BL	-	-
8	6	5/16"	3/4"-16	-	09-01118BL	-	-
8	8	13/32"	3/4"-16	-	09-01112BL	-	-
8	10	1/2"	3/4"-16	-	09-01116BL	-	-
10	10	1/2"	7/8"-14	-	09-01113BL	-	-
10	12	5/8"	7/8"-14	-	09-01117BL	-	-
12	12	5/8"	1 1/16"-14	-	09-01114BL	-	-

## FEMALE FLARE, 90°



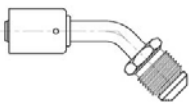
FTG SIZE	HOSE SIZE	HOSE I.D.	THREAD SIZE	PORT	ALUMINUM	STEEL	STEEL RED.
					DTAC NO.	DTAC NO.	DTAC NO.
6	6	5/16"	5/8"-18	-	09-01121BL	-	-
6	8	13/32"	5/8"-18	-	09-01125BL	-	-
8	6	5/16"	3/4"-16	-	09-01128BL	-	-
8	8	13/32"	3/4"-16	-	09-01122BL	-	-
8	10	1/2"	3/4"-16	-	09-01126BL	-	-
10	10	1/2"	7/8"-14	-	09-01123BL	-	-
10	12	5/8"	7/8"-14	-	09-01127BL	-	-
12	12	5/8"	1 1/16"-14	-	09-01124BL	-	-

## MALE FLARE, STRAIGHT



FTG SIZE	HOSE SIZE	HOSE I.D.	THREAD SIZE	PORT	ALUMINUM	STEEL	STEEL RED.
					DTAC NO.	DTAC NO.	DTAC NO.
6	6	5/16"	5/8"-18	-	09-01201BL	-	-
8	8	13/32"	3/4"-16	-	09-01202BL	-	-
10	10	1/2"	7/8"-14	-	09-01203BL	-	-
12	12	5/8"	1 1/16"-14	-	09-01204BL	-	-

## MALE FLARE, 45°



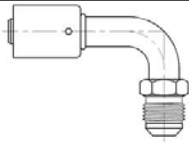
FTG SIZE	HOSE SIZE	HOSE I.D.	THREAD SIZE	PORT	ALUMINUM	STEEL	STEEL RED.
					DTAC NO.	DTAC NO.	DTAC NO.
6	6	5/16"	5/8"-18	-	09-01211BL	-	-
8	8	13/32"	3/4"-16	-	09-01212BL	-	-
10	10	1/2"	7/8"-14	-	09-01213BL	-	-
12	12	5/8"	1 1/16"-14	-	09-01214BL	-	-

BEADLOCK FITTINGS



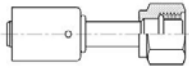
# BEADLOCK FITTINGS

## MALE FLARE, 90°

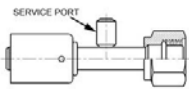


FTG SIZE	HOSE SIZE	HOSE I.D.	THREAD SIZE	PORT	ALUMINUM	STEEL	STEEL RED.
					DTAC NO.	DTAC NO.	DTAC NO.
6	6	5/16"	5/8"-18	-	09-01221BL	-	-
8	8	13/32"	3/4"-16	-	09-01222BL	-	-
10	10	1/2"	7/8"-14	-	09-01223BL	-	-
12	12	5/8"	1 1/16"-14	-	09-01224BL	-	-

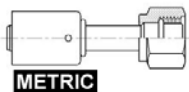
## FEMALE O-RING, STRAIGHT



FTG SIZE	HOSE SIZE	HOSE I.D.	THREAD SIZE	PORT	ALUMINUM	STEEL	STEEL RED.
					DTAC NO.	DTAC NO.	DTAC NO.
6	6	5/16"	5/8"-18	-	09-01301BL	09-01301SB	09-01301SR
6	8	13/32"	5/8"-18	-	09-01305BL	09-01305SB	09-01305SR
8	6	5/16"	3/4"-16	-	09-01308BL	-	-
8	8	13/32"	3/4"-16	-	09-01302BL	09-01302SB	09-01302SR
8	10	1/2"	3/4"-16	-	09-01306BL	-	-
10	8	13/32"	7/8"-14	-	09-01309BL	-	-
10	10	1/2"	7/8"-14	-	09-01303BL	09-01303SB	09-01303SR
10	12	5/8"	7/8"-14	-	09-01307BL	09-01307SB	09-01307SR
12	10	1/2"	1 1/16"-14	-	09-01310BL	09-01310SB	-
12	12	5/8"	1 1/16"-14	-	09-01304BL	09-01304SB	09-01304SR



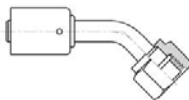
FTG SIZE	HOSE SIZE	HOSE I.D.	THREAD SIZE	PORT	ALUMINUM	STEEL	STEEL RED.
					DTAC NO.	DTAC NO.	DTAC NO.
6	6	5/16"	5/8"-18	1/4" R12	09-13011BL	-	-
6	6	5/16"	5/8"-18	16mm R134	09-13013BL	09-13013SB	-
8	8	13/32"	3/4"-16	1/4" R12	09-13021BL	09-13021SB	-
8	8	13/32"	3/4"-16	16mm R134	09-13023BL	09-13023SB	-
10	10	1/2"	7/8"-14	1/4" R12	09-13031BL	-	-
10	10	1/2"	7/8"-14	13mm R134	09-13033BL	09-13033SB	-
12	12	5/8"	1 1/16"-14	1/4" R12	09-13071BL	-	-
10	12	5/8"	7/8"-14	13mm R134	09-13073BL	-	-



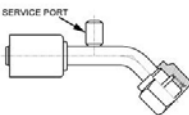
**METRIC**

FTG SIZE	HOSE SIZE	HOSE I.D.	THREAD SIZE	PORT	ALUMINUM DTAC NO.	STEEL DTAC NO.	STEEL RED. DTAC NO.
M16	6	5/16"	M16 x 1.5	-	09-09302BL	-	-
M20	8	13/32"	M20 x 1.5	-	09-09305BL	-	-
M22	10	1/2"	M22 x 1.5	-	09-09306BL	-	-
M24	10	1/2"	M24 x 2.0	-	09-09307BL	-	-

## FEMALE O-RING, 45°



FTG SIZE	HOSE SIZE	HOSE I.D.	THREAD SIZE	PORT	ALUMINUM	STEEL	STEEL RED.
					DTAC NO.	DTAC NO.	DTAC NO.
6	6	5/16"	5/8"-18	-	09-01311BL	09-01311SB	09-01311SR
6	8	13/32"	5/8"-18	-	09-01315BL	-	-
8	8	13/32"	3/4"-16	-	09-01312BL	09-01312SB	09-01312SR
8	10	1/2"	3/4"-16	-	09-01316BL	-	-
10	10	1/2"	7/8"-14	-	09-01313BL	09-01313SB	09-01313SR
10	12	5/8"	7/8"-14	-	09-01317BL	-	09-01317SR
12	12	5/8"	1 1/16"-14	-	09-01314BL	-	-



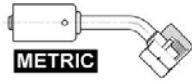
FTG SIZE	HOSE SIZE	HOSE I.D.	THREAD SIZE	PORT	ALUMINUM	STEEL	STEEL RED.
					DTAC NO.	DTAC NO.	DTAC NO.
6	6	5/16"	5/8"-18	1/4" R12	09-13111BL	-	-
6	6	5/16"	5/8"-18	16mm R134	09-13113BL	09-13113SB	-
8	8	13/32"	3/4"-16	1/4" R12	09-13121BL	09-13121SB	-
8	8	13/32"	3/4"-16	16mm R134	09-13123BL	09-13123SB	-
10	10	1/2"	7/8"-14	1/4" R12	09-13131BL	-	-
10	10	1/2"	7/8"-14	13mm R134	09-13133BL	09-13133SB	-
10	12	5/8"	7/8"-14	1/4" R12	09-13171BL	-	-
10	12	5/8"	7/8"-14	13mm R134	09-13173BL	09-13173SB	-

BEADLOCK FITTINGS



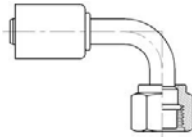
# BEADLOCK FITTINGS

## FEMALE O-RING, 45°

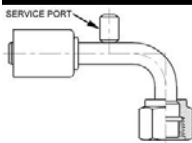


FTG SIZE	HOSE SIZE	HOSE I.D.	THREAD SIZE	PORT	ALUMINUM	STEEL RED.	STEEL
					DTAC NO.	DTAC NO.	DTAC NO.
M16	6	5/16"	M16 x 1.5	-	09-09312BL	-	-
M20	8	13/32"	M20 x 1.5	-	09-09315BL	-	-

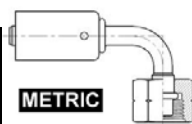
## FEMALE O-RING, 90°



FTG SIZE	HOSE SIZE	HOSE I.D.	THREAD SIZE	PORT	ALUMINUM	STEEL	STEEL RED.
					DTAC NO.	DTAC NO.	DTAC NO.
6	6	5/16"	5/8"-18	-	09-01321BL	09-01321SB	09-01321SR
6	8	13/32"	5/8"-18	-	09-01325BL	09-01325SB	09-01325SR
8	6	5/16"	3/4"-16	-	09-01328BL	-	-
8	8	13/32"	3/4"-16	-	09-01322BL	09-01322SB	09-01322SR
8	10	1/2"	3/4"-16	-	09-01326BL	-	-
10	8	13/32"	7/8"-14	-	-	09-01329SB	-
10	10	1/2"	7/8"-14	-	09-01323BL	09-01323SB	09-01323SR
10	12	5/8"	7/8"-14	-	09-01327BL	09-01327SB	09-01327SR
12	10	1/2"	1 1/16"-14	-	09-01330BL	09-01330SB	-
12	12	5/8"	1 1/16"-14	-	09-01324BL	09-01324SB	09-01324SR

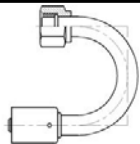


FTG SIZE	HOSE SIZE	HOSE I.D.	THREAD SIZE	PORT	ALUMINUM	STEEL	STEEL RED.
					DTAC NO.	DTAC NO.	DTAC NO.
6	6	5/16"	5/8"-18	1/4" R12	09-13211BL	-	-
6	6	5/16"	5/8"-18	16mm R134	09-13213BL	09-13213SB	-
8	8	13/32"	3/4"-16	1/4" R12	09-13221BL	09-13221SB	-
8	8	13/32"	3/4"-16	16mm R134	09-13223BL	09-13223SB	09-13223SR
10	10	1/2"	7/8"-14	1/4" R12	09-13231BL	-	-
10	10	1/2"	7/8"-14	13mm R134	09-13233BL	09-13233SB	09-13233SR
10	12	5/8"	7/8"-14	1/4" R12	09-13271BL	-	-
10	12	5/8"	7/8"-14	13mm R134	09-13273BL	09-13273SB	-



FTG SIZE	HOSE SIZE	HOSE I.D.	THREAD SIZE	PORT	ALUMINUM	STEEL	STEEL RED.
					DTAC NO.	DTAC NO.	DTAC NO.
M16	6	5/16"	M16 x 1.5	-	09-09322BL	-	-
M20	6	5/16"	M20 x 1.5	-	09-09324BL	-	-
M20	8	13/32"	M20 x 1.5	-	09-09325BL	-	-
M22	10	1/2"	M22 x 1.5	-	09-09326BL	-	-
M24	10	1/2"	M24 x 2.0	-	09-09327BL	-	-
M27	12	5/8"	M27 x 2.0	-	09-09328BL	-	-

## FEMALE O-RING, 180°



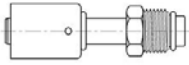
FTG SIZE	HOSE SIZE	HOSE I.D.	THREAD SIZE	PORT	ALUMINUM	STEEL	STEEL RED.
					DTAC NO.	DTAC NO.	DTAC NO.
6	6	5/16"	5/8"-18	-	09-01931BL	-	-
8	8	13/32"	3/4"-16	-	09-01932BL	-	-
12	12	5/8"	1 1/16"-14	-	09-01934BL	-	-

BEADLOCK FITTINGS



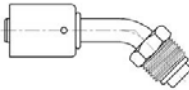
# BEADLOCK FITTINGS

## MALE O-RING, STRAIGHT



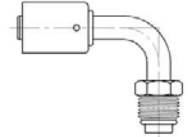
FTG SIZE	HOSE SIZE	HOSE I.D.	THREAD SIZE	PORT	ALUMINUM	STEEL	STEEL RED.
					DTAC NO.	DTAC NO.	DTAC NO.
6	6	5/16"	5/8"-18	-	09-01401BL	09-01401SB	09-01401SR
6	8	13/32"	5/8"-18	-	09-01405BL	-	-
7	6	5/16"	11/16"	-	09-01952BL	-	-
8	6	5/16"	3/4"-16	-	09-01408BL	-	-
8	8	13/32"	3/4"-16	-	09-01402BL	-	-
10	10	1/2"	7/8"-14	-	09-01403BL	09-01403SB	09-01403SR
10	12	5/8"	7/8"-14	-	09-01407BL	09-01407SB	09-01407SR
12	10	1/2"	1 1/16"-14	-	-	09-01410SB	-
12	12	5/8"	1 1/16"-14	-	09-01404BL	-	-

## MALE O-RING, 45°

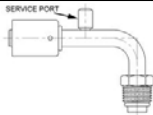


FTG SIZE	HOSE SIZE	HOSE I.D.	THREAD SIZE	PORT	ALUMINUM	STEEL	STEEL RED.
					DTAC NO.	DTAC NO.	DTAC NO.
6	6	5/16"	5/8"-18	-	09-01411BL	09-01411SB	-
6	8	13/32"	5/8"-18	-	09-01415BL	-	-
8	8	13/32"	3/4"-16	-	09-01412BL	09-01412SB	-
8	10	1/2"	3/4"-16	-	09-01418BL	-	-
10	10	1/2"	7/8"-14	-	09-01413BL	09-01413SB	-
12	12	5/8"	1 1/16"-14	-	09-01414BL	-	-

## MALE O-RING, 90°

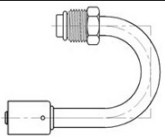


FTG SIZE	HOSE SIZE	HOSE I.D.	THREAD SIZE	PORT	ALUMINUM	STEEL	STEEL RED.
					DTAC NO.	DTAC NO.	DTAC NO.
6	6	5/16"	5/8"-18	-	09-01421BL	09-01421SB	09-01421SR
6	8	13/32"	5/8"-18	-	09-01425BL	09-01425SB	-
7	6	5/16"	11/16"	-	09-01953BL	-	-
8	6	5/16"	3/4"-16	-	09-01428BL	-	-
8	8	13/32"	3/4"-16	-	09-01422BL	09-01422SB	09-01422SR
10	10	1/2"	7/8"-14	-	09-01423BL	09-01423SB	09-01423SR
10	12	5/8"	7/8"-14	-	09-01427BL	09-01427SB	09-01427SR
12	10	1/2"	1 1/16"-14	-	-	09-01430SB	-
12	12	5/8"	1 1/16"-14	-	09-01424BL	09-01424SB	-



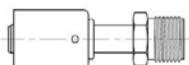
FTG SIZE	HOSE SIZE	HOSE I.D.	THREAD SIZE	PORT	ALUMINUM	STEEL	STEEL RED.
DTAC NO.	DTAC NO.	DTAC NO.	DTAC NO.	DTAC NO.	DTAC NO.	DTAC NO.	DTAC NO.
10	10	1/2"	7/8"-14	1/4" R12	-	09-14231SB	-

## MALE O-RING, 180°



FTG SIZE	HOSE SIZE	HOSE I.D.	THREAD SIZE	PORT	ALUMINUM	STEEL	STEEL RED.
					DTAC NO.	DTAC NO.	DTAC NO.
6	6	5/16"	5/8"-18	-	-	09-01936SB	-

## MALE INSERT O-RING, STRAIGHT



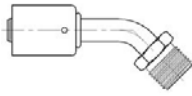
FTG SIZE	HOSE SIZE	HOSE I.D.	THREAD SIZE	PORT	ALUMINUM	STEEL	STEEL RED.
					DTAC NO.	DTAC NO.	DTAC NO.
6	6	5/16"	5/8"-18	-	09-01801BL	-	-
8	8	13/32"	3/4"-16	-	09-01802BL	-	-
10	10	1/2"	7/8"-14	-	09-01803BL	-	-
12	12	5/8"	1 1/16"-14	-	09-01804BL	-	09-01804SR





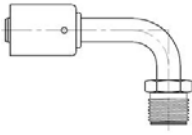
# BEADLOCK FITTINGS

## MALE INSERT O-RING, 45°



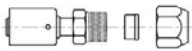
FTG SIZE	HOSE SIZE	HOSE I.D.	THREAD SIZE	PORT	ALUMINUM	STEEL	STEEL RED.
					DTAC NO.	DTAC NO.	DTAC NO.
6	6	5/16"	5/8"-18	-	09-01811BL	-	-
8	8	13/32"	3/4"-16	-	09-01812BL	-	-
10	10	1/2"	7/8"-14	-	09-01813BL	-	-

## MALE INSERT O-RING, 90°

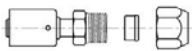


FTG SIZE	HOSE SIZE	HOSE I.D.	THREAD SIZE	PORT	ALUMINUM	STEEL	STEEL RED.
					DTAC NO.	DTAC NO.	DTAC NO.
6	6	5/16"	5/8"-18	-	09-01821BL	-	-
8	8	13/32"	3/4"-16	-	09-01822BL	09-01822SB	-
10	10	1/2"	7/8"-14	-	09-01823BL	-	-

## COMPRESSION FITTING, STRAIGHT



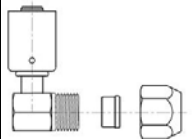
FTG SIZE	HOSE SIZE	HOSE I.D.	THREAD SIZE	PORT	ALUMINUM	STEEL	STEEL RED.
					DTAC NO.	DTAC NO.	DTAC NO.
6	6	5/16"	3/8" Tube	-	09-02901BL	-	-
6	8	13/32"	3/8" Tube	-	09-02905BL	-	-
8	6	5/16"	1/2" Tube	-	09-02908BL	-	-
8	8	13/32"	1/2" Tube	-	09-02902BL	-	-
8	10	1/2"	1/2" Tube	-	09-02906BL	-	-
10	8	13/32"	5/8" Tube	-	09-02909BL	-	-
10	10	1/2"	5/8" Tube	-	09-02903BL	-	-
10	12	5/8"	5/8" Tube	-	09-02907BL	-	-
12	12	5/8"	3/4" Tube	-	09-02904BL	-	-



**METRIC**

FTG SIZE	HOSE SIZE	HOSE I.D.	THREAD SIZE	PORT	ALUMINUM	STEEL	STEEL RED.
					DTAC NO.	DTAC NO.	DTAC NO.
8mm	6	5/16"	8mm Tube	-	09-03001BL	-	-
12mm	8	13/32"	12mm Tube	-	09-03002BL	-	-
14.5mm	10	1/2"	14.5mm Tube	-	09-03003BL	-	-

## COMPRESSION FITTING, 90°



FTG SIZE	HOSE SIZE	HOSE I.D.	THREAD SIZE	PORT	ALUMINUM	STEEL	STEEL RED.
					DTAC NO.	DTAC NO.	DTAC NO.
6	6	5/16"	3/8" Tube	-	09-02921BL	-	-
6	8	13/32"	3/8" Tube	-	09-02925BL	-	-
8	6	5/16"	1/2" Tube	-	09-02928BL	-	-
8	8	13/32"	1/2" Tube	-	09-02922BL	-	-
8	10	1/2"	1/2" Tube	-	09-02926BL	-	-
10	8	13/32"	5/8" Tube	-	09-02929BL	-	-
10	10	1/2"	5/8" Tube	-	09-02923BL	-	-
10	12	5/8"	5/8" Tube	-	09-02927BL	-	-
12	12	5/8"	3/4" Tube	-	09-02924BL	-	-

## SPLICERS, STRAIGHT



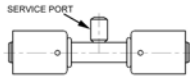
HOSE SIZE A	HOSE SIZE B	HOSE I.D. A	HOSE I.D. B	PORT	ALUMINUM	STEEL	STEEL RED.
					DTAC NO.	DTAC NO.	DTAC NO.
6	6	5/16"	5/16"	-	09-06101BL	-	09-06101SR
6	8	5/16"	13/32"	-	09-06105BL	-	09-06105SR
8	8	13/32"	13/32"	-	09-06102BL	-	09-06102SR
8	10	13/32"	1/2"	-	09-06106BL	-	09-06106SR
10	10	1/2"	1/2"	-	09-06103BL	-	09-06103SR
10	12	5/8"	5/8"	-	09-06107BL	-	09-06107SR
12	12	5/8"	5/8"	-	09-06104BL	-	09-06104SR

BEADLOCK FITTINGS

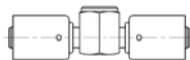


# BEADLOCK FITTINGS

## SPLICERS, STRAIGHT

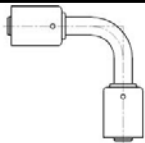


HOSE SIZE A	HOSE SIZE B	HOSE I.D. A	HOSE I.D. B	PORT	ALUMINUM	STEEL	STEEL RED.
					DTAC NO.	DTAC NO.	DTAC NO.
6	6	5/16"	5/16"	3/16" R12	09-61012BL	-	-
6	6	5/16"	5/16"	1/4" R12	09-61011BL	-	-
6	6	5/16"	5/16"	16mm R134	09-61013BL	09-61013SB	09-61013SR
8	8	13/32"	13/32"	3/16" R12	09-61022BL	-	-
8	8	13/32"	13/32"	1/4" R12	09-61021BL	09-61021SB	-
8	8	13/32"	13/32"	16mm R134	09-61023BL	09-61023SB	09-61023SR
10	10	1/2"	1/2"	1/4" R12	09-61031BL	09-61031SB	-
10	10	1/2"	1/2"	13mm R134	09-61033BL	09-61033SB	09-61033SR
12	12	5/8"	5/8"	1/4" R12	09-61041BL	09-61041SB	-
12	12	5/8"	5/8"	13mm R134	09-61043BL	09-61043SB	09-61043SR



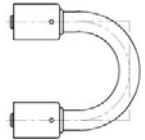
FTG SIZE	HOSE SIZE	HOSE I.D.	THREAD SIZE	PORT	ALUMINUM	STEEL	STEEL RED.
					DTAC NO.	DTAC NO.	DTAC NO.
6	6	5/16"	5/16"	Sight Glass	09-06190BL	-	-

## SPLICERS, 90°



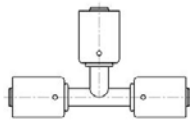
HOSE SIZE A	HOSE SIZE B	HOSE I.D. A	HOSE I.D. B	PORT	ALUMINUM	STEEL	STEEL RED.
					DTAC NO.	DTAC NO.	DTAC NO.
6	6	5/16"	5/16"	-	09-06121BL	-	-
8	8	13/32"	13/32"	-	09-06122BL	-	-
10	10	1/2"	1/2"	-	09-06123BL	-	-
12	12	5/8"	5/8"	-	09-06124BL	-	-

## SPLICERS, 180°



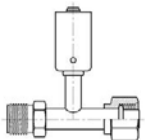
HOSE SIZE A	HOSE SIZE B	HOSE I.D. A	HOSE I.D. B	PORT	ALUMINUM	STEEL	STEEL RED.
					DTAC NO.	DTAC NO.	DTAC NO.
6	6	5/16"	5/16"	-	09-06131BL	-	-
8	8	13/32"	13/32"	-	09-06132BL	-	-
10	10	1/2"	1/2"	-	09-06133BL	-	-
12	12	5/8"	5/8"	-	09-06134BL	-	-

## SPLICERS, TEE-SPLICER



HOSE RUN	HOSE DROP	HOSE RUN I.D.	HOSE DROP I.D.	PORT	ALUMINUM	STEEL	STEEL RED.
					DTAC NO.	DTAC NO.	DTAC NO.
6	6	5/16"	5/16"	-	09-06201BL	-	09-06201SR
8	8	13/32"	13/32"	-	09-06202BL	-	09-06202SR
10	10	1/2"	1/2"	-	09-06203BL	-	09-06203SR
12	10	5/8"	1/2"	-	09-06210BL	-	-
12	12	5/8"	5/8"	-	09-06204BL	-	09-06204SR

## TEE FITTING



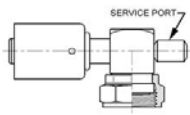
FTG SIZE A	HOSE SIZE	FTG SIZE B	THREAD SIZE	PORT	ALUMINUM	STEEL	STEEL RED.
					DTAC NO.	DTAC NO.	DTAC NO.
#6 MIO	6	#6 FO	5/8"-18	-	09-06225BL	-	-
#12 MIO	10	#12 FO	1 1/16"-14	-	09-06236BL	09-06236SB	-
#8 MIO	8	#8 FO	3/4"-16	-	09-06235BL	-	-

BEADLOCK FITTINGS



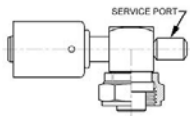
# BEADLOCK FITTINGS

## ROTOLOCK, 90°



FTG SIZE	HOSE SIZE	HOSE I.D.	THREAD SIZE	PORT	ALUMINUM	STEEL	STEEL RED.
					DTAC NO.	DTAC NO.	DTAC NO.
FRL	8	13/32"	1"-14	1/4" R12	09-21321BL	-	-
FRL	8	13/32"	1"-14	16mm R134	09-21323BL	-	-
FRL	10	1/2"	1"-14	1/4" R12	09-21331BL	-	-
FRL	10	1/2"	1"-14	13mm R134	09-21333BL	-	-

## TUBE-O, 90° - SHORT DROP



FTG SIZE	HOSE SIZE	HOSE I.D.	THREAD SIZE	PORT	ALUMINUM	STEEL	STEEL RED.
					DTAC NO.	DTAC NO.	DTAC NO.
FTO	8	13/32"	1"-14	1/4" R12	09-21421BL	-	-
FTO	8	13/32"	1"-14	16mm R134	09-21423BL	-	-
FTO	10	1/2"	1"-14	1/4" R12	09-21431BL	-	-
FTO	10	1/2"	1"-14	13mm R134	09-21433BL	-	-
FTO	12	5/8"	1"-14	1/4" R12	09-21441BL	-	-
FTO	12	5/8"	1"-14	13mm R134	09-21443BL	-	-

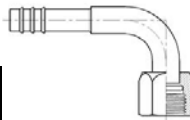
## PUSH ON BARB FITTINGS

### FEMALE FLARE, STRAIGHT BARB

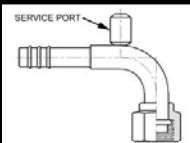


FTG SIZE	HOSE SIZE	HOSE I.D.	THREAD SIZE	PORT	ALUMINUM
					DTAC NO.
6	6	5/16"	5/8"-18	-	09-01101
8	8	13/32"	5/8"-18	-	09-01102
10	10	1/2"	7/8"-14	-	09-01103
12	12	5/8"	1 1/16"-14	-	09-01104

### FEMALE FLARE, 90° BARB



FTG SIZE	HOSE SIZE	HOSE I.D.	THREAD SIZE	PORT	ALUMINUM
					DTAC NO.
6	6	5/16"	5/8"-18	-	09-01121
8	8	13/32"	5/8"-18	-	09-01122
10	10	1/2"	7/8"-14	-	09-01123

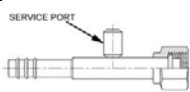


FTG SIZE	HOSE SIZE	HOSE I.D.	THREAD SIZE	PORT	ALUMINUM
					DTAC NO.
10	10	1/2"	1/4" R12	-	09-11231

### FEMALE O-RING, STRAIGHT BARB



FTG SIZE	HOSE SIZE	HOSE I.D.	THREAD SIZE	PORT	ALUMINUM
					DTAC NO.
6	6	5/16"	5/8"-18	-	09-01301
8	8	13/32"	3/4"-16	-	09-01302
10	10	1/2"	7/8"-14	-	09-01303
12	12	5/8"	1 1/16"-14	-	09-01304



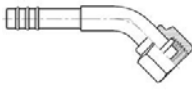
FTG SIZE	HOSE SIZE	HOSE I.D.	THREAD SIZE	PORT	ALUMINUM
					DTAC NO.
6	6	5/16"	5/8"-18	1/4" R12	09-13011
8	8	13/32"	3/4"-16	1/4" R12	09-13021
10	10	1/2"	7/8"-14	1/4" R12	09-13031

BEADLOCK FITTINGS



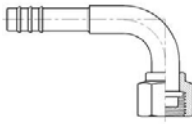
# PUSH ON BARB FITTINGS

## FEMALE O-RING, 45° BARB

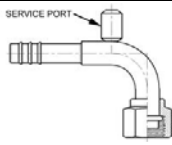


FTG SIZE	HOSE SIZE	HOSE I.D.	THREAD SIZE	PORT	ALUMINUM
					DTAC NO.
6	6	5/16"	5/8"-18	-	09-01311
8	8	13/32"	3/4"-16	-	09-01312
10	10	1/2"	7/8"-14	-	09-01313
12	12	5/8"	1 1/16"-14	-	09-01314

## FEMALE O-RING, 90° BARB

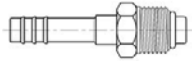


FTG SIZE	HOSE SIZE	HOSE I.D.	THREAD SIZE	PORT	ALUMINUM
					DTAC NO.
6	6	5/16"	5/8"-18	-	09-01321
8	8	13/32"	3/4"-16	-	09-01322
10	10	1/2"	7/8"-14	-	09-01323
12	12	5/8"	1 1/16"-14	-	09-01324

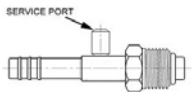


FTG SIZE	HOSE SIZE	HOSE I.D.	THREAD SIZE	PORT	ALUMINUM
					DTAC NO.
6	6	5/16"	5/8"-18	1/4" R12	09-13211
8	8	13/32"	3/4"-16	1/4" R12	09-13221
8	8	13/32"	3/4"-16	16mm R134	09-13223
10	10	1/2"	7/8"-14	1/4" R12	09-13231
10	10	1/2"	7/8"-14	13mm R134	09-13233
12	12	5/8"	1 1/16"-14	1/4" R12	09-13241

## MALE O-RING, STRAIGHT BARB

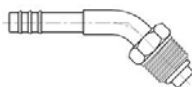


FTG SIZE	HOSE SIZE	HOSE I.D.	THREAD SIZE	PORT	ALUMINUM
					DTAC NO.
6	6	5/16"	5/8"-18	-	09-01401
8	8	13/32"	3/4"-16	-	09-01402
10	10	1/2"	7/8"-14	-	09-01403



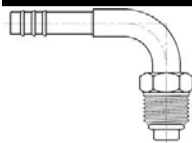
FTG SIZE	HOSE SIZE	HOSE I.D.	THREAD SIZE	PORT	ALUMINUM
					DTAC NO.
10	10	1/2"	7/8"-14	1/4" R12	09-14031

## MALE O-RING, 45° BARB



FTG SIZE	HOSE SIZE	HOSE I.D.	THREAD SIZE	PORT	ALUMINUM
					DTAC NO.
6	6	5/16"	5/8"-18	-	09-01411
8	8	13/32"	3/4"-16	-	09-01412
10	10	1/2"	7/8"-14	-	09-01413

## MALE O-RING, 90° BARB



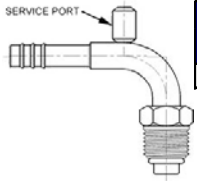
FTG SIZE	HOSE SIZE	HOSE I.D.	THREAD SIZE	PORT	ALUMINUM
					DTAC NO.
8	8	13/32"	3/4"-16	-	09-01421
10	10	1/2"	7/8"-14	-	09-01423

PUSH ON BARB FITTINGS



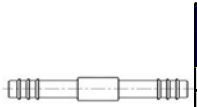
## PUSH ON BARB FITTINGS

### MALE O-RING, 90° BARB



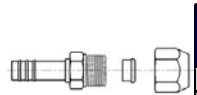
FTG SIZE	HOSE SIZE	HOSE I.D.	THREAD SIZE	PORT	ALUMINUM
					DTAC NO.
10	10	1/2"	7/8"-14	1/4" R12	09-14231

### SPLICERS, STRAIGHT BARB



FTG SIZE	HOSE SIZE	HOSE I.D.	THREAD SIZE	PORT	ALUMINUM
					DTAC NO.
6	6	5/16"	-	-	09-01591
6	8	5/16"	-	-	09-01595
8	8	13/32"	-	-	09-01592
8	10	1/2"	-	-	09-01596
10	10	1/2"	-	-	09-01593
10	12	5/8"	-	-	09-01597
12	12	5/8"	-	-	09-01594

### COMPRESSION FITTING, STRAIGHT BARB



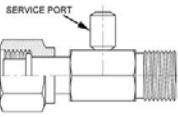
FTG SIZE	HOSE SIZE	HOSE I.D.	THREAD SIZE	PORT	ALUMINUM
					DTAC NO.
6	6	5/16"	3/8" Tube	-	09-02680
8	8	13/32"	1/2" Tube	-	09-02681
10	10	1/2"	5/8" tube	-	09-02682

PUSH ON BARB FITTINGS



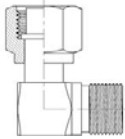
# ADAPTER FITTINGS

## 134a RETROFIT SPLICERS



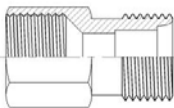
MALE FTG	FEMALE FTG	THREAD SIZE	PORT	COMMENT	DTAC NO.
#6 MIO	#6 FO	5/8"-18	16mm R134	Adds Hi Side 134a Port	09-06301BL
#8 MIO	#8 FO	3/4"-16	16mm R134	Adds Hi Side 134a Port	09-06302BL
#10 MIO	#10 FO	7/8"-14	13mm R134	Adds Low Side 134a Port	09-06303BL
#12 MIO	#12 FO	1 1/16"-14	13mm R134	Adds Low Side 134a Port	09-06304BL

## 90° ORING TO ORING



MALE FTG	FEMALE FTG	THREAD SIZE	PORT	COMMENT	DTAC NO.
#6 MIO	#6 FO	5/8"-18	-	-	09-02676BL
#8 MIO	#8 FO	3/4"-16	-	-	09-02677BL
#10 MIO	#10 FO	7/8"-14	-	-	09-02678BL

## FEMALE FLARE TO MALE O-RING



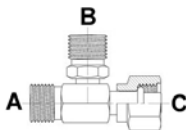
MALE FTG	FEMALE FTG	THREAD SIZE	PORT	COMMENT	DTAC NO.
#6 MIO	#6 FF	5/8"-18	-	Converts FF to MIO	09-02606
#8 MIO	#8 FF	3/4"-16	-	Converts FF to MIO	09-02608
#10 MIO	#10 FF	7/8"-14	-	Converts FF to MIO	09-02609

## O-RING TO FLARE

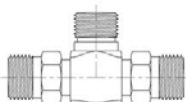


MIO FTG SIZE	MF FTG SIZE	THREAD SIZE	PORT	COMMENT	DTAC NO.
#6	#6	-	-	Converts MIO to MF	09-06240
#8	#8	-	-	Converts MIO to MF	09-06242
#10	#10	-	-	Converts MIO to MF	09-06243

## TEE FITTING



FTG SIZE A	FTG SIZE B	FTG SIZE C	THREAD SIZE	COMMENT	DTAC NO.
#6 MIO	#6 MIO	#6 FO	5/8"-18	-	09-06231
#10 MIO	#10 MIO	#10 FO	7/8"-14	-	09-06233



FTG SIZE A	FTG SIZE B	FTG SIZE C	THREAD SIZE	COMMENT	DTAC NO.
#6 MIO	#6 MIO	#6 MIO	5/8"-18	-	09-06246BL
#8 MIO	#8 MIO	#8 MIO	3/4"-16	-	09-06248BL
#10 MIO	#10 MIO	#10 MIO	7/8"-14	-	09-06247BL

## BULKHEAD FITTINGS



FTG SIZE	THREAD SIZE	LENGTH	COMMENT	ALUMINUM	STEEL
				DTAC NO.	DTAC NO.
6	5/8"-18	1.87"	-	-	09-50003
8	3/4"-16	2.16"	-	-	09-50004
10	7/8"-14	2.56"	-	-	09-50005

ADAPTER & BULKHEAD FITTINGS



## HOSE CLAMPS



TYPE	HOSE SIZE	DTAC NO.
WORM GEAR	4 & Drain Hose	09-03504
WORM GEAR	6 & 8	09-04000
WORM GEAR	10 & 12	09-04001



TYPE	HOSE SIZE	DTAC NO.
SINGLE HOSE	6 & 8	09-04002



TYPE	HOSE SIZE	DTAC NO.
DOUBLE HOSE	-	09-04004

## EVAPORATOR REPAIR FITTING



DESCRIPTION	DTAC NO.
#8 Male O-Ring Weld On Copper Tube For Evaporator Coil Repair	09-18718

## FERRULES



HOSE SIZE	DTAC NO.
6	09-03006
8	09-03008
10	09-03010
12	09-03012

## GROMMET & HOLE LINERS



DESCRIPTION	DTAC NO.
Combo Hole Liner	09-00621

## ORINGS



FTG SIZE	DTAC NO.
4	09-04010
6	09-04011
8	09-04012
10	09-04013
12	09-04014

CLAMPS, O-RING & ACCESSORIES



- **DRAIN HOSE**
- **DUCT HOSE**
- **HEATER HOSE**
- **REFRIGERANT HOSE**

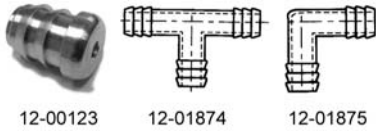


# HOSE

## DRAIN HOSE

DESCRIPTION	HOSE I.D.	LENGTH	DTAC NO.
Clear Drain Hose	1/2"	Per Foot	10-20012

## DRAIN HOSE FITTINGS



DESCRIPTION	DTAC NO.
Kazoo Drain Restrictor	12-00123
Drain Hose Tee	12-01874
Drain Hose 90 Deg. Elbow	12-01875

## DUCT HOSE

DESCRIPTION	HOSE I.D.	LENGTH	DTAC NO.
Extra Heavy Duty Smooth Wall Duct Hose	2.5"	Per Foot	10-20026
Extra Heavy Duty Smooth Wall Duct Hose	3"	Per Foot	10-20027

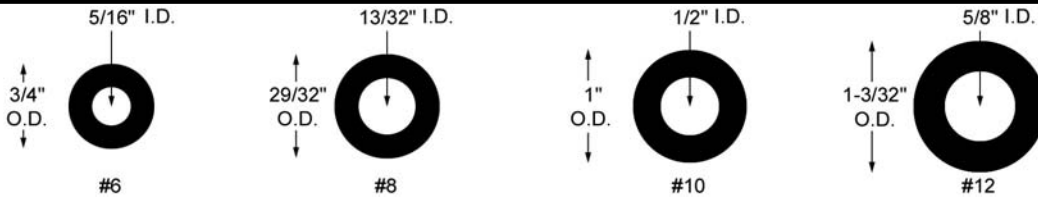
## PROTECTIVE HOSE COVER

DESCRIPTION	HOSE I.D.	LENGTH	DTAC NO.
3" Nylon Hose Sleeve	3"	Per Foot	10-30003

## HEATER HOSE

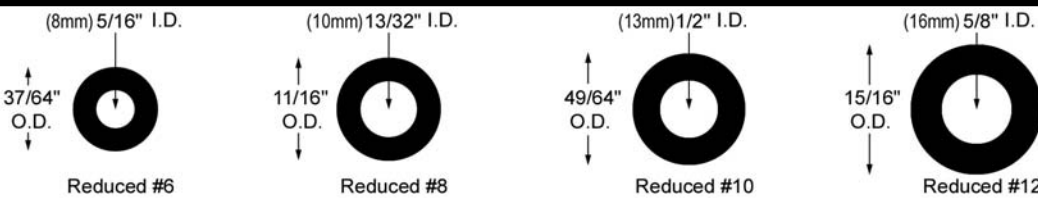
HOSE I.D.	LENGTH	DTAC NO.
3/4"	Per Foot	10-00034
5/8"	Per Foot	10-00058

## PARKER BARRIER REFRIGERATION HOSE



HOSE I.D.	HOSE SIZE	PER FOOT	50' ROLL
		DTAC NO.	DTAC NO.
5/16"	6	10-18109	10-18009
13/32"	8	10-18110	10-18010
1/2"	10	10-18111	10-18011
5/8"	12	10-18112	10-18012

## PARKER REDUCE O.D. BARRIER REFRIGERATION HOSE



HOSE I.D.	HOSE SIZE	PER FOOT	50' ROLL
		DTAC NO.	DTAC NO.
5/16"	6	10-18116	10-18016
13/32"	8	10-18118	10-18018
1/2"	10	10-18120	10-18020
5/8"	12	10-18122	10-18022

HOSE

- **TOOLS**



## CRIMPING TOOLS



- Quick Change Dies
- Crimps Barrier & Reduced Barrier Hose
- Complete Set of Six Die Sets that Crimp Eight Combinations of A/C Hose

DESCRIPTION	DTAC NO.
ATCO Portable Crimper	11-03710



- Hand Held Hydraulic Press is Very Portable & Ideal for Shop & Field Use
- Crimps Barrier & Reduced Barrier Hose
- Complete Set of Six Die Sets that Crimp Eight Combinations of A/C Hose

DESCRIPTION	DTAC NO.
Hydra-Crimp Portable Crimper	11-71500



- Manual Style A/C hose crimper.
- The dies snap quickly into place requiring no pins or screws.
- The unit can be easily mounted to a bench using the holding fixture or held securely in a vice.
- This kit comes with a complete set of dies covering standard hose sizes #6, #8, #10 and #12.
- Optional reduced barrier sizes are available.

DESCRIPTION	DTAC NO.
Mastercool Hand Portable Crimper	11-71550

TOOLS

## ELECTRONIC SCALES



### FUNCTIONS:

- **CHARGE PROGRAMMING:** Allows user to program desired quantities. Before charge is complete, an alarm will sound allowing ample time to turn off refrigerant supply.
- **PAUSE/CHARGE (Using the 98230 Charging Solenoid Module):** This feature allows user to stop and continue charging.
- **TANK CAPACITY PROGRAMMING:** EMPTY/FULL tank feature allows user to know the amount of refrigerant in the tank at any time.
- **REPEAT:** Allows user to charge previously stored amount.

### SPECIFICATIONS:

• Capacity:	240 lbs (110 kg)
• Accuracy:	± 0.01 kg / ± 0.16 oz / ± 0.01 lb ] or 0.1% of reading (whichever is greater)
• Resolution:	0.01 kg / 0.02 lb
• Operating Temperature:	32 to 120°F (0 to 49°C)

DESCRIPTION	DTAC NO.
Accu-Charge II Electronic Refrigerant Scale	11-98210-A

## LEAK DETECTORS



- For all CFC, HCFC, and HFC refrigerants.
- Uses corona discharge technology.
- Audible and visual leak indicators.

DESCRIPTION	DTAC NO.
Electronic Leak Detector	11-16600



# CHARGING HOSES

## R134a COUPLERS



DESCRIPTION	DTAC NO.
High Side Manual Coupler	11-82034
Low Side Manual Coupler	11-82134

## R134a HOSES



DESCRIPTION	DTAC NO.
72" Blue	11-84721
72" Yellow w/ Shut-Off Valve	11-84722
72" Red	11-84723
72" Black	11-84724
96" Blue	11-84961
96" Yellow w/ Shut-Off Valve	11-84962
96" Red	11-84963
96" Black	11-84964

## SERVICE HOSE REPLACEMENT PARTS

DESCRIPTION	DTAC NO.
Charging Hose Gasket	11-82010-1
Charging Hose O-Rings	11-83341-1
Shut-Off Valve Gasket	11-82336-1

## MANIFOLDS

### R-12 MANIFOLDS



- Standard Side Wheel Manifold Set Without Hoses

DESCRIPTION	DTAC NO.
R12 Manifold Gauge Set	11-40152

### R134a MANIFOLDS



DESCRIPTION	DTAC NO.
2-Way R134a Manifold Gauge Set w/ Hoses & Couplers	11-40134A



- Aluminum 4-Way Manifold Gauge Set
- Includes Hoses & Couplers
- Packaged in Molded Plastic Case

DESCRIPTION	DTAC NO.
4-Way R134a Manifold Gauge Set w/ Hoses & Couplers	11-86972



- Digital Manifold Kit
- Includes Hoses & Couplers
- Packaged in Molded Plastic Case

DESCRIPTION	DTAC NO.
Digital R134a Manifold Gauge Set w/ Hoses & Couplers	11-99872



# MANIFOLDS

## R134a REPLACEMENT GAUGES



DESCRIPTION	DIAMETER	DTAC NO.
Blue Low Side Gauge Small	2 3/4"	11-85350
Red High Side Gauge Small	2 3/4"	11-85500
Blue Low Side Gauge Large	3 1/8"	11-86350
Red High Side Gauge Large	3 1/8"	11-86500

## MISCELLANEOUS ACCESSORIES



- Replacement Blade DTAC NO. 11-3541B

DESCRIPTION	DTAC NO.
ATCO Kwick Cut Hose Cutter	11-03541



- Includes Flush Gun, Hose, Canister & Canister Adapter

DESCRIPTION	DTAC NO.
A/C System Flush Kit	11-10203



- Six-in-one Straightener to Clean & Straighten Condenser & Evaporator Coils Fins

DESCRIPTION	DTAC NO.
6-in-1 Fin Comb	11-14401



DESCRIPTION	DTAC NO.
Flush Gun	11-40502



DESCRIPTION	DTAC NO.
Refillable Universal Oil Injector	11-53123



DESCRIPTION	DTAC NO.
Tacky Tape - 30 Foot Roll	11-61003



- 1/4" Flare x 1/4" NPT

DESCRIPTION	DTAC NO.
Nitrogen Regulator Adapter	11-82620

TOOLS





## MISCELLANEOUS ACCESSORIES



- Includes Flush Gun & Adapters

DESCRIPTION	DTAC NO.
Nitrogen Regulator Flush/Leak Check Kit	11-82630



- Screw On Model

DESCRIPTION	DTAC NO.
R134a Can Tap Valve	11-85510



- Works with R134a, R12 & Oil Charge

DESCRIPTION	DTAC NO.
3-in-1 Side Mount Can Tap Valve	11-85530

## O-RING ASSORTMENT



Kit 11-04018 Includes		
QTY	DESCRIPTION	DTAC NO.
5	Valve Core	01-04025
5	#4 O-Ring	09-04010
20	#6 O-Ring	09-04011
20	#8 O-Ring	09-04012
20	#10 O-Ring	09-04013
20	#12 O-Ring	09-04014
4	Rotolock Gasket	01-28003
4	Tube-O Gasket	01-28004

DESCRIPTION	DTAC NO.
O-Ring Assortment	11-04018

## THERMOMETERS



- 1-3/4" Dial
- 0 to 220°F

DESCRIPTION	DTAC NO.
Pocket Thermometer	11-10945



DESCRIPTION	DTAC NO.
Infrared Thermometer	11-52224

TOOLS



## VACUUM PUMP & ACCESSORIES



DESCRIPTION	DTAC NO.
Vacuum Pump Oil - Quart	11-13203



- "T" style adapter screws onto existing 1/4" flare fitting and converts to 1/4"-FL and 1/2" ACME.

DESCRIPTION	DTAC NO.
R12/R134a Inlet Fitting	11-15554



- 7/16" x 1/2-16 ACME

DESCRIPTION	DTAC NO.
Pump Adapter	11-82634



### 5 CFM VACUUM PUMP (TWO STAGE)

This model is an excellent choice for small to medium sized systems (2.5 lb to 10 lb charge capacity). This two stage pump features a manifold valve to isolate it from the system and three inlet ports: 1/4" FL, 3/8" FL and 1/2" ACME (for automotive R134a systems).

No. of Stages	Free Air Displacement	Ultimate Vacuum	Pump Motor	Pump Speed	Electrical Specs	Shipping Weight
2	5	25 MICRONS	1/3HP	1725RPM	110/60HZ	32 LBS

DESCRIPTION	DTAC NO.
Mastercool 5 CFM Pump	11-90065

## VALVE CORE TOOLS



DESCRIPTION	DTAC NO.
R134a Valve Core Remover/Installer	11-10587



DESCRIPTION	DTAC NO.
Universal Valve Core Remover/Installer	11-91290

TOOLS

- **REPLACEMENT FILTERS**
- **REMOTE FILTERS**



# REPLACEMENT AIR FILTERS

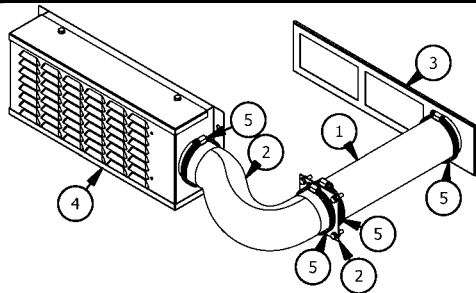


LENGTH	HEIGHT	THICKNESS	APPLICATION	DTAC NO.
14"	6"	1/4"	141, 142, 143, 331	14-10000
4.5"	4.5"	1/4"	232	21-80004
18.75"	4.25"	1/4"	300, 301, 430, 605	30-50253
15.75"	4.25"	1/4"	315 (Oct. 99 - Present), 316, 615	31-50000
16"	6"	1/4"	310, 311, 402, 403, 502	40-00003
11.5"	4"	1/4"	212, 214, 500, 615	50-00005
11"	2.5"	3/4"	701, 702	70-50321
17.5"	4.25"	1/4"	315 (Before Oct. 99), 800, 803, 822, 823	80-00017
15"	4.25"	1/4"	305, 601, 901, 902, 904	90-10009

## REMOTE MOUNT FILTERS

### 11-52104

External Donaldson Panel Filter for 300, 301 & 315 Series



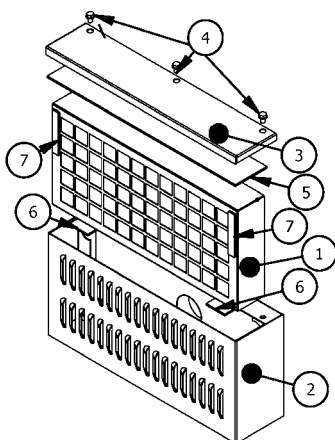
11-52104 PARTS LIST				
ITEM	QTY	DTAC NO.	DESCRIPTION	
1	1	10-20027	3" Duct Hose	
2	1	11-52101	3in Thru Body Bulkhead	
3	1	11-52102R	Ext Filter Adapter	
4	1	11-52105	Remote Mount Filter	
5	4	12-600048	Hose Clamp	

#### FEATURES

- Assures a Dust Free Environment
- Removable Panel for Easy Filter Replacement
- Uses Donaldson Panel Filter, DTAC No: 11-37523
- Vertical Intake Vents

### 11-52113

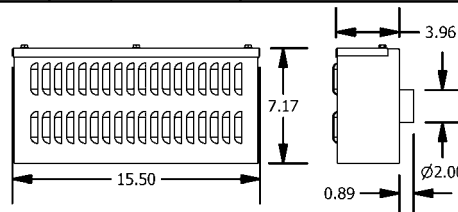
External Donaldson Panel Filter - Horizontal Vents



PARTS LIST				
ITEM	QTY	DTAC NO.	DESCRIPTION	
1	1	11-37523	Filter Element	
2	1	11-51447	Filter Housing	
3	1	11-51448	Filter Cover	
4	3	12-00003	1/4-20 X 3/8 Whiz Flange Bolt	
5	15.5"	12-00051	Insulation 15 1/2" x 2 9/16"	
6	4"	12-00067	Insulation 2" x 1.5"	
7	3"	12-00067	Insulation 3" x .5"	

#### FEATURES

- Assures a Dust Free Environment
- Removable Panel for Easy Filter Replacement
- Uses Donaldson Panel Filter, DTAC No: 11-37523
- Horizontal Intake Vents

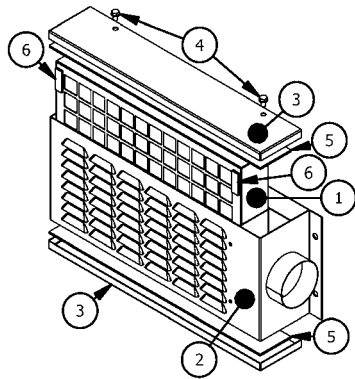




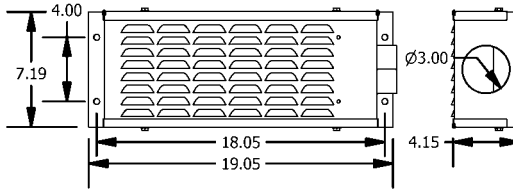
# REMOTE MOUNT FILTERS

## 11-52105

External Donaldson Panel Filter - Vertical Vents



11-52105 PARTS LIST			
ITEM	QTY	DTAC NO.	DESCRIPTION
1	1	11-37523	Filter Element
2	1	11-51449	Filter Housing
3	2	11-51450	Filter Cover 11-52105
4	4	12-00003	1/4-20 X 3/8 Whiz Flange Bolt
5	36"	12-00051	Insul. 1/8 X 2 9/16 Per Inch
6	2"	12-00067	Insul. 1/8 x 1.5 in Per Inch

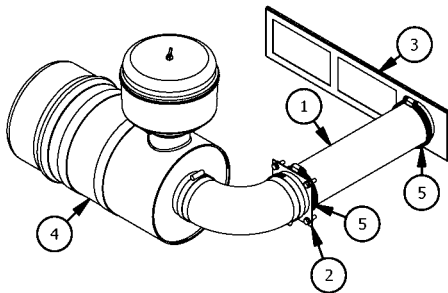


### FEATURES

- Assures a Dust Free Environment
- Removable Panel for Easy Filter Replacement
- Uses Donaldson Panel Filter, DTAC No: 11-37523
- Vertical Intake Vents

## 11-52108

External 8" Round Donaldson Filter for 300, 301 & 315 Series



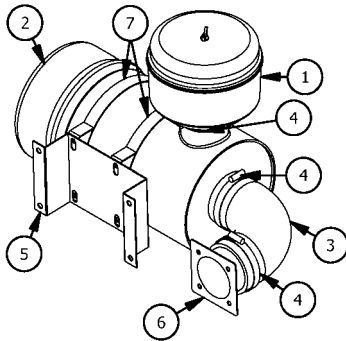
11-52108 PARTS LIST			
ITEM	QTY	DTAC NO.	DESCRIPTION
1	1	10-20027	3" Duct Hose
2	1	11-52101	3in Thru Body Bulkhead
3	1	11-52102R	Ext Filter Adapter
4	1	11-53910	Donaldson External Filter Kit
5	2	12-600048	Hose Clamp

### FEATURES

- Assures a Dust Free Environment
- Easy Access
- Uses Donaldson Panel Filter, DTAC No: 11-181054

## 11-53906

External 8" Round Donaldson Filter for 701 Series Rooftops



11-53906 PARTS LIST			
ITEM	QTY	DTAC NO.	DESCRIPTION
1	1	11-01249	PRE-FILTER
2	1	11-80023	8" CANISTER
3	1	11-RL390	3' RUBBER ELBOW
4	3	12-600048	HOSE CLAMP
5	1	70-00018	FILTER BRKT., 700 Series
6	1	70-00020	3" HOSE ADAPT. FOR 700
7	2	NP004307	MOUNT BAND

### FEATURES

- Designed Specifically to Fit DTAC 701 Series Rooftop Units
- Assures a Dust Free Environment
- Easy Access
- Replaceable Donaldson Filter, DTAC No: 11-181054
- Complete with Mounting Hardware

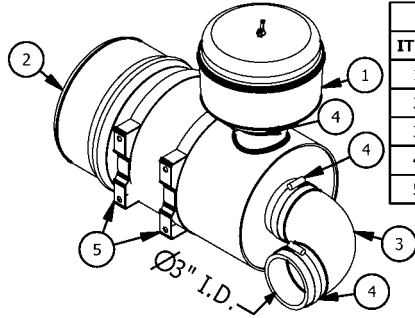
REMOTE MOUNT FILTERS



# REMOTE MOUNT FILTERS

11-53910

External 8" Round Donaldson Filter



11-53910 PARTS LIST			
ITEM	QTY	DTAC NO.	DESCRIPTION
1	1	11-01249	PRE-FILTER
2	1	11-80023	8" CANISTER
3	1	11-RL390	3' RUBBER ELBOW
4	3	12-600048	HOSE CLAMP
5	2	NP004307	MOUNT BAND

## FEATURES

- Assures a Dust Free Environment
- Easy Access
- Replaceable Donaldson Filter, DTAC No: 11-181054
- Complete with Mounting Hardware

REMOTE MOUNT FILTERS



- **EVAPORATORS**
- **HEATERS**
- **REMOTE CONDENSERS**
- **ELECTRIC & HYDRAULIC  
COMPRESSORS**



# EVAPORATORS

## 141 Series

Cool Only, Floor, Under Dash or Ceiling Mount

EVAPORATORS

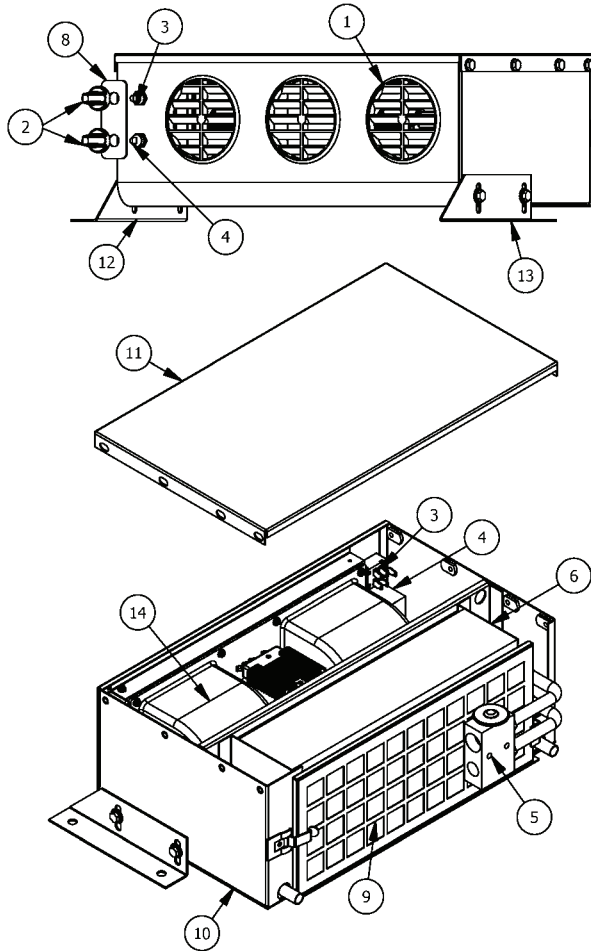


### FEATURES

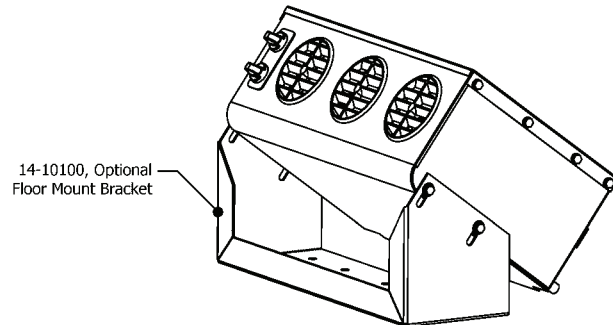
- Available 12 or 24 Volt
- Three Speed Blower Motor
- Adjustable Thermostat
- 3 – 3.5" Directional Louvers
- Removable, Washable Filter
- Steel Case with Black Powder Coat Finish

### OPTIONS

- Floor Mount Bracket P/N 14-10100



141-A PARTS LIST Rev.1				
ITEM	QTY	DTAC NO.	DESCRIPTION	NOTE
1	3	02-16061	3-1/2" Louver	
2	2	03-00165	Knob	
3	1	03-13006	Rotary 3-Speed Switch	
4	1	03-14002	Rotary Thermostat	
5	1	04-15004	Block Expansion Valve	
6	1	07-00141	Evaporator Coil	
7	1	12-00026	Wire Harness	1
8	1	12-50419	Faceplate	
9	1	14-10000	141 Intake Filter	
10	1	14-10001A	Bottom Housing Rev	
11	1	14-10002	Lid	
12	1	14-10003	Mounting Brkt, Right	
13	1	14-10005	Mounting Brkt, Left	
14	1	30-51580 30-51581	12V Blower Assembly 24V Blower Assembly	
15		NOTE 1	Not Shown	



BTU'S COOL	AIR FLOW	HEIGHT	WIDTH	DEPTH	WEIGHT	MOTOR	CURRENT DRAW	DTAC NO.
20,000	295 CFM	6.5"	17.25"	9.75"	24 LBS	1-12V	13 AMPS @ 13.5 VDC	141-12A
"	"	"	"	"	"	1-24V	8 AMPS @ 27.VDC	141-24A



# EVAPORATORS

## 300 Series

Cool Only, Ceiling Mount

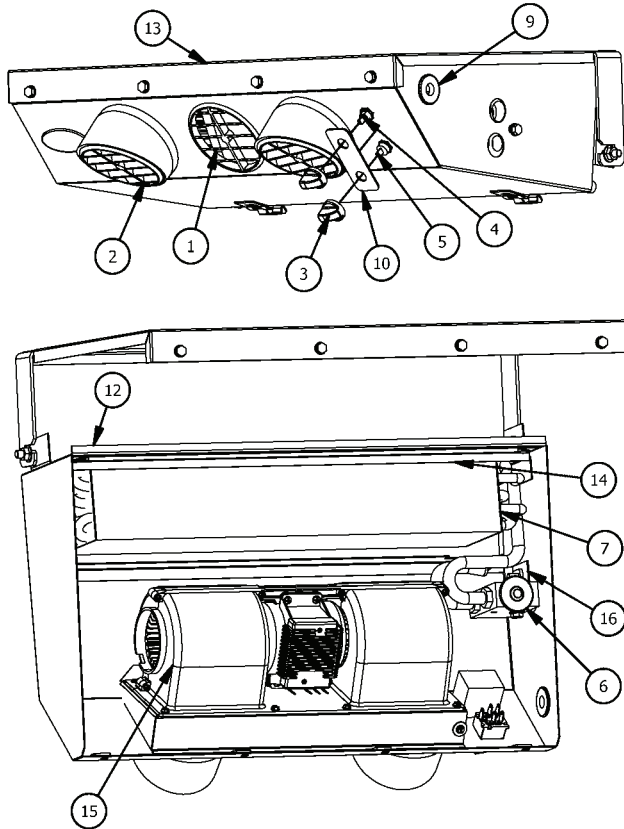


### FEATURES

- Available 12 or 24 Volt
- Three Speed Blower Motor
- Adjustable Thermostat
- Directional Round Louvers
- Removable, Washable Filter
- Low Profile for Maximum Head Room
- Steel Case with Black Powder Coat Finish

### OPTIONS

- Outside Air Adapter for Pressurization P/N 11-52104



300 Parts List Rev.5				
ITEM	QTY	DTAC NO.	DESCRIPTION	NOTE
1	1	02-16061	3-1/2" Louver	
2	2	02-16073	3.5" Angled Louver	
3	2	03-00165	Knob	
4	1	03-13006	Rotary 3-Speed Switch	
5	1	03-14002	Rotary Thermostat	
6	1	04-15004	Block Expansion Valve	
7	1	07-00300	Evaporator Coil	
8	1	12-00026	Wiring Harness	1
9	1	12-00116	One Inch Grommet	
10	1	12-50419	Faceplate	
11	1	30-50253	Intake Filter, 18.875 x 4.25	1
12	1	30-51279	Housing	
13	1	30-51281	Lid	
14	1	30-51286	Coil Hold Brkt	
15	1	30-51580	12V Blower Assembly	
		30-51581	24V Blower Assembly	
16	1	50-50500	Expansion Valve Mnt Brkt	
17		Note 1	Item Not Shown	

BTU'S COOL	AIR FLOW	HEIGHT	WIDTH	DEPTH	WEIGHT	REMOTE HARNESS	MOTOR	CURRENT DRAW	DTAC NO.
20,200	295 CFM	5.75"	22.125"	14"	24 LBS	N	1-12V	13 AMPS @ 13.5 VDC	300-12V
"	"	"	"	"	"	Y	1-12V	13 AMPS @ 13.5 VDC	300-12VR
"	"	"	"	"	"	N	1-24V	8 AMPS @ 27.VDC	300-24V

EVAPORATORS



# EVAPORATORS

## 301 Series

Heat/Cool, Ceiling Mount

EVAPORATORS

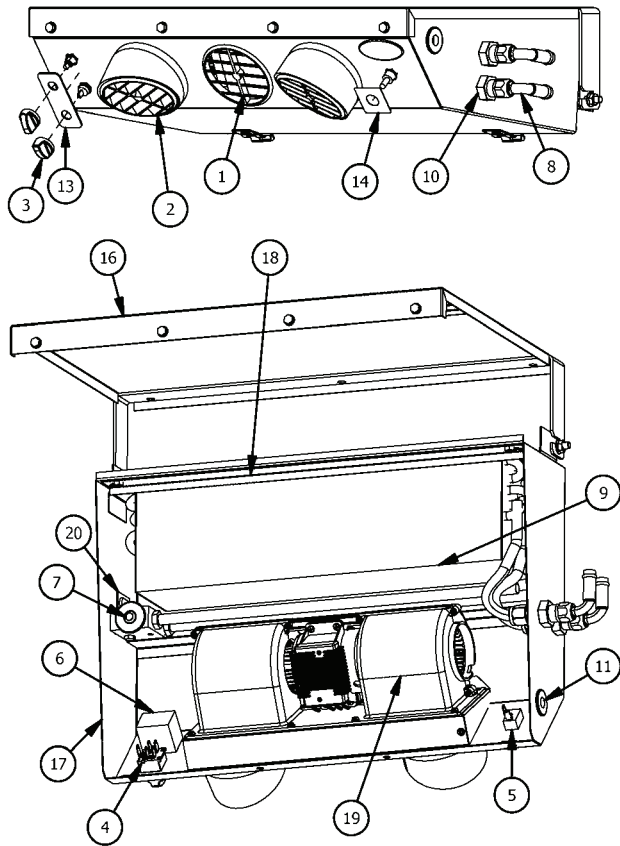


### FEATURES

- Available 12 or 24 Volt
- Three Speed Blower Motor
- Adjustable Thermostat
- Directional Round Louvers
- Removable, Washable Filter
- Low Profile for Maximum Head Room
- Steel Case with Black Powder Coat Finish

### OPTIONS

- Outside Air Adapter for Pressurization P/N 11-52104



301 PARTS LIST Rev.2				
ITEM	QTY	DTAC No.	DESCRIPTION	NOTE
1	1	02-16061	3-1/2" Louver	
2	2	02-16073	3.5" Angled Louver	
3	2	03-00165	Knob	
4	1	03-13006	Rotary 3-Speed Switch	
5	1	03-13020	Toggle Switch	
6	1	03-14002	Rotary Thermostat	
7	1	04-15004	Block Expansion Valve	
8	2	05-00301	90 Degree Heater Fitting	
9	1	07-00301	Evaporator Coil	
10	2	09-50004	#8 MIO Bulkhead w Jam Nut	
11	1	12-00116	One Inch Grommet	
12	1	12-00301	Wire Harness	1
13	1	12-50419	Faceplate	
14	1	12-50420	Face Plate - Heat/Cool	
15	1	30-50253	Intake Filter, 18.875 x 4.25	1
16	1	30-51284	Lid	
17	1	30-51285	Housing	
18	1	30-51286	Coil Hold Brkt	
19	1	30-51580	12V Blower Assembly	
		31-51581	24V Blower Assembly	
20	1	50-50500	Expansion Valve Mnt Brkt	
21		Note 1	Item Not Shown	

BTU'S HEAT	BTU'S COOL	AIR FLOW	HEIGHT	WIDTH	DEPTH	WEIGHT	REMOTE HARNESS	MOTOR	CURRENT DRAW	DTAC NO.
16,600	20,200	295 CFM	5.75"	22"	15.5"	24 LBS	Y	1-12V	13 AMPS @ 13.5 VDC	301-12R
"	"	"	"	"	"	"	N	1-12V	13 AMPS @ 13.5 VDC	301-12V
"	"	"	"	"	"	"	N	1-24V	8 AMPS @ 27.VDC	301-24V



# EVAPORATORS

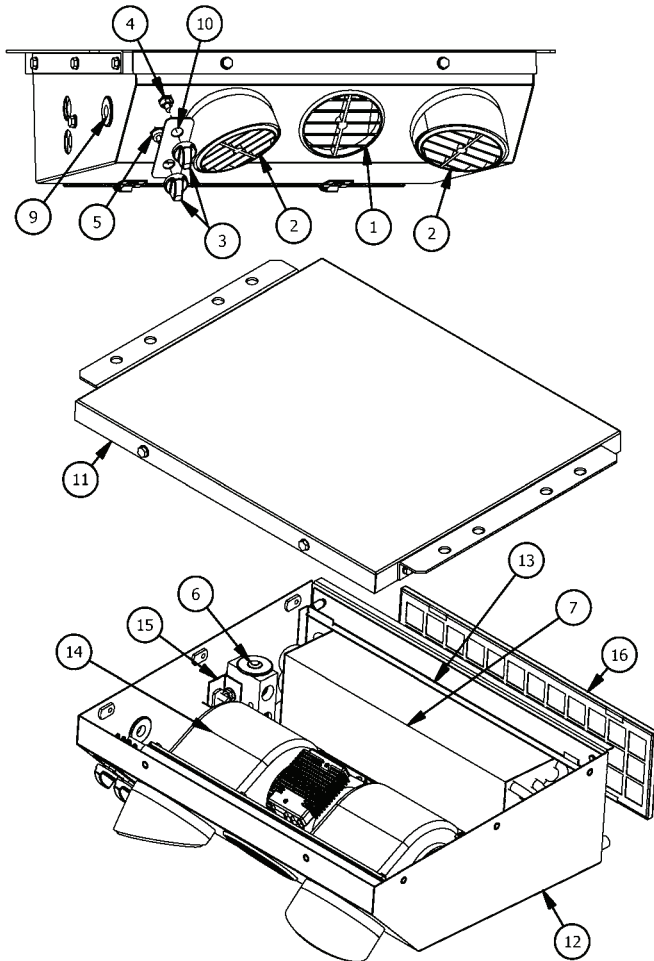
## 305 Series

Cool Only, Ceiling Mount



### FEATURES

- Available 12 or 24 Volt
- Three Speed Blower Motor
- Adjustable Thermostat
- Directional Round Louvers
- Removable, Washable Filter
- Low Profile for Maximum Head Room
- Steel Case with Black Powder Coat Finish



305 PARTS LIST Rev.1				
ITEM	QTY	DTAC NO.	DESCRIPTION	NOTE
1	1	02-16061	3-1/2" Louver	
2	2	02-16073	3.5" Angled Louver	
3	2	03-00165	Knob	
4	1	03-13006	Rotary 3-Speed Switch	
5	1	03-14002	Rotary Thermostat	
6	1	04-15004	Block Expansion Valve	
7	1	07-00305	Evaporator Coil	
8	1	12-00026	Wire Harness	1
9	1	12-00116	One Inch Grommet	
10	1	12-50419	Faceplate	
11	1	30-20001	Lid 305	
12	1	30-50000	Btm Housing 305	
13	1	30-50001	Coil Hold Brkt	
14	1	30-51580	12V Blower Assembly	
		30-51581	24V Blower Assembly	
15	1	50-50500	Expansion Valve Mnt Brkt	
16	1	90-10009	Filter	
17		Note 1	Not Shown	

BTU'S COOL	AIR FLOW	HEIGHT	WIDTH	DEPTH	WEIGHT	MOTOR	CURRENT DRAW	DTAC NO.
18,500	295 CFM	5.75"	20.5"	14.5"	21 LBS	1-12V	13 AMPS @ 13.5 VDC	305-12
"	"	"	"	"	"	1-24V	8 AMPS @ 27 VDC	305-24

EVAPORATORS



# EVAPORATORS

## 310 Series

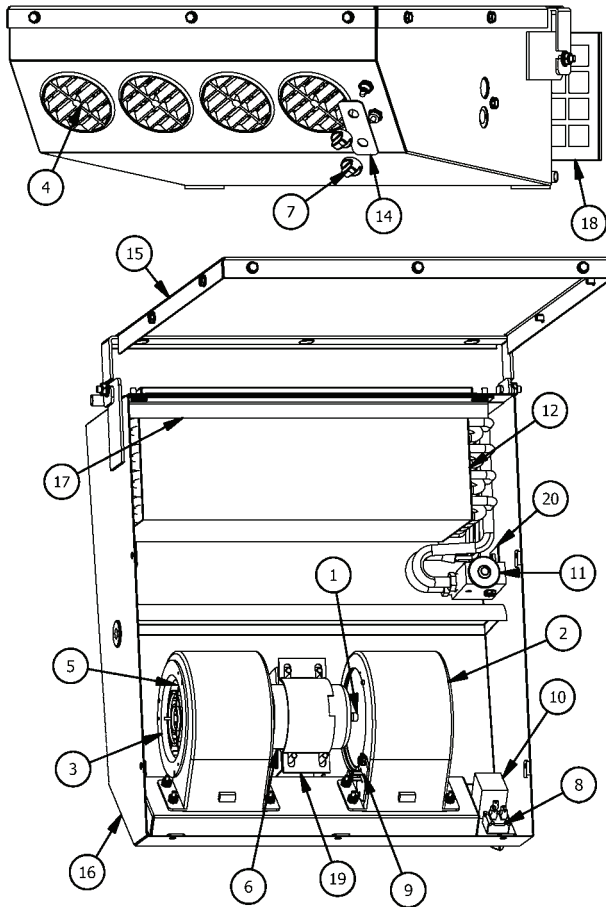
Cool Only, Ceiling Mount

EVAPORATORS



### FEATURES

- Available 12 or 24 Volt
- Three Speed Blower Motor
- Adjustable Thermostat
- Directional Round Louvers
- Removable, Washable Filter
- Steel Case with Black Powder Coat Finish



310 PARTS LIST Rev.1				
ITEM	QTY	DTAC NO.	DESCRIPTION	NOTE
1	1	02-16039	Blower Wheel CCW 701	
2	2	02-16058	Blower Housing	
3	2	02-16059	Venturi	
4	4	02-16061	3-1/2" Louver	
5	1	02-16400	Blower Wheel CW 701	
6	1	02-17018	12V DS 1SP Motor	
		02-17118	24V DS 1SP Motor	
7	2	03-00165	Knob	
8	1	03-13006	Rotary 3-Speed Switch	
9	1	03-13043	Resistor 3 Prong	
10	1	03-14002	Rotary Thermostat	
11	1	04-15004	Block Expansion Valve	
12	1	07-00311	Evaporator Coil	
13	1	12-00801	Wire Harness	1
14	1	12-50419	Faceplate	
15	1	31-10001	Lid	
16	1	31-10002	Btm Housing	
17	1	31-10003	Coil Brkt	
18	1	40-00003	Intake Filter	
19	1	12-00130	Top Motor Mount	
20	1	50-50500	Expansion Valve Mnt Brkt	
21		Note 1	Not Shown	

BTU'S COOL	AIR FLOW	HEIGHT	WIDTH	DEPTH	WEIGHT	MOTOR	CURRENT DRAW	DTAC NO.
36,000	405 CFM	7"-8.5"	19"	23"	46 LBS	1-12V	22.5 AMPS @ 13.6 VDC	310-12
"	"	"	"	"	"	1-24V	15 AMPS @ 26.8 VDC	310-24

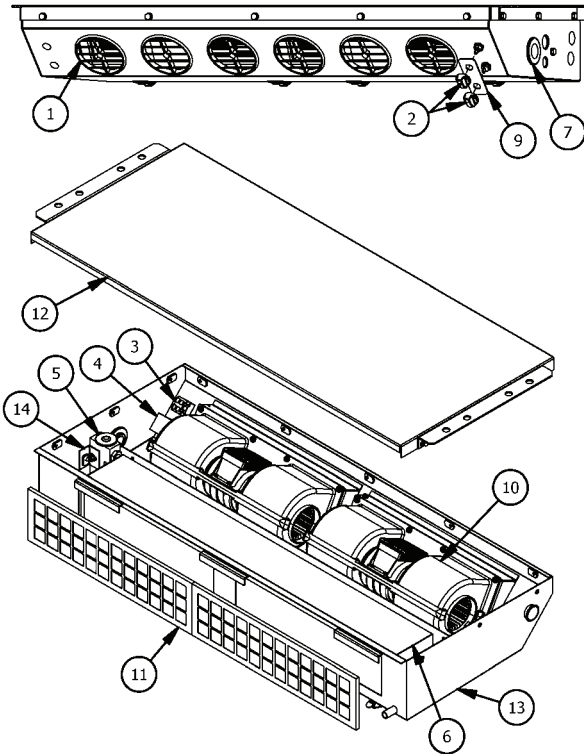




# EVAPORATORS

## 315-C Series

Cool Only, Ceiling Mount



### FEATURES

- Available 12 or 24 Volt
- Heavy Duty Metal Construction (Eliminates Broken Plastic Cases & Drain Tubes)
- Removable Lid for Easy Access
- Filtered Air Intake
- Blower Assembly Enclosed Inside Case for Increased Safety
- 6 -3.5" Directional Round Louvers for Maximum Air Flow
- Steel Case with Black Powder Coat Finish

### OPTIONS

- Outside Air Adapter for Pressurization P/N 11-52104

**315-C PARTS LIST Rev.1**

ITEM	QTY	DTAC NO.	DESCRIPTION	NOTE
1	6	02-16061	3-1/2" Louver	
2	2	03-00165	Knob	
3	1	03-13006	Rotary 3-Speed Switch	
4	1	03-14002	Rotary Thermostat	
5	1	04-15004	Block Expansion Valve	
6	1	07-00316	Cool Only Evap Coil	
7	1	09-00621	One Inch Grommet	
8	1	12-00315	Wire Harness	1
9	1	12-50419	Faceplate	
10	2	30-51580 30-51581	12V Blower Assembly 24V Blower Assembly	
11	2	31-50000	Filter 315	
12	1	31-50001	Lid	
13	1	31-50002	Housing	
14	1	50-50500	Expansion Valve Mnt Brkt	
15		Note 1	Not Shown	

BTU'S COOL	AIR FLOW	HEIGHT	WIDTH	DEPTH	WEIGHT	MOTOR	CURRENT DRAW	DTAC NO.
35,000	410 CFM	5"	35.5"	14.75"	48 LBS	2-12V	24 AMPS @ 13.6 VDC	315-12C
"	"	"	"	"	"	2-24V	14 AMPS @ 27 VDC	315-24C

EVAPORATORS



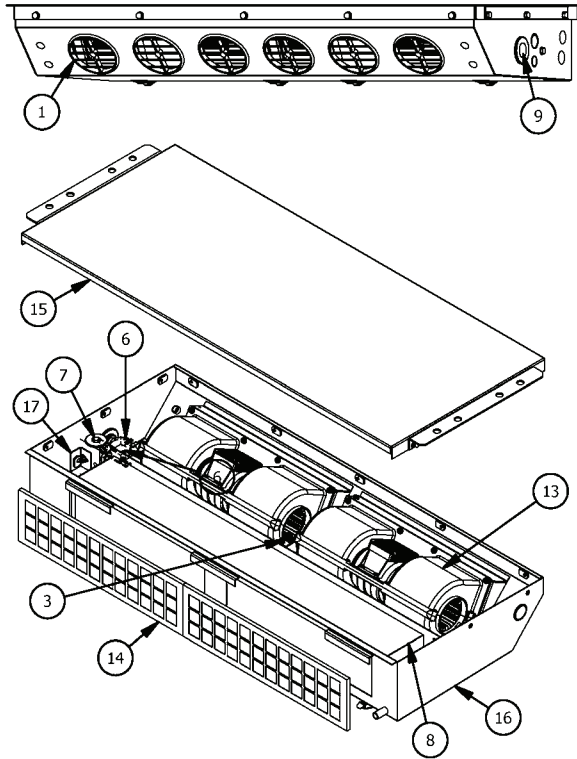


# EVAPORATORS

## 315-CR Series

Cool Only with Remote Switch, Ceiling Mount

EVAPORATORS



### FEATURES

- Available 12 or 24 Volt
- Heavy Duty Metal Construction (Eliminates Broken Plastic Cases & Drain Tubes)
- Removable Lid for Easy Access
- Filtered Air Intake
- Blower Assembly Enclosed Inside Case for Increased Safety
- 6 -3.5" Directional Round Louvers for Maximum Air Flow
- Steel Case with Black Powder Coat Finish

### OPTIONS

- Outside Air Adapter for Pressurization P/N 11-52104

**315-CR PARTS LIST Rev.2**

ITEM	QTY	DTAC NO.	DESCRIPTION	NOTE
1	6	02-16061	3-1/2" Louver	
2	1	03-00165	Knob	1
3	1	03-01702 03-01704	12V Relay 24V Relay	1
4	1	03-13006	Rotary 3-Speed Switch	1
5	1	03-13029	40 Amp Circuit Breaker	1
6	1	03-14013	Preset Thermostat	
7	1	04-15004	Block Expansion Valve	
8	1	07-00316	Cool Only Evap Coil	
9	1	09-00621	One Inch Grommet	
10	1	12-00315R	External Remote Wire Harness	1
11	1	12-00315RS	Internal Wire Harness (Remote)	1
12	1	12-50421	Face Plate - Air Increase	1
13	2	30-51580 30-51581	12V Blower Assembly 24V Blower Assembly	
14	2	31-50000	Filter 315	
15	1	31-50001	Lid	
16	1	31-50002	Housing	
17	1	50-50500	Expansion Valve Mnt Brkt	
18		Note 1	Not Shown	

BTU'S COOL	AIR FLOW	HEIGHT	WIDTH	DEPTH	WEIGHT	REMOTE HARNESS	MOTOR	CURRENT DRAW	DTAC NO.
35,000	410 CFM	5"	35.5"	14.75"	48 LBS	Y	2-12V	24 AMPS @ 13.6 VDC	315-12CR
"	"	"	"	"	"	"	2-24V	14 AMPS @ 27 VDC	315-24CR



# EVAPORATORS

## 315-HC Series

Heat/Cool, Ceiling Mount

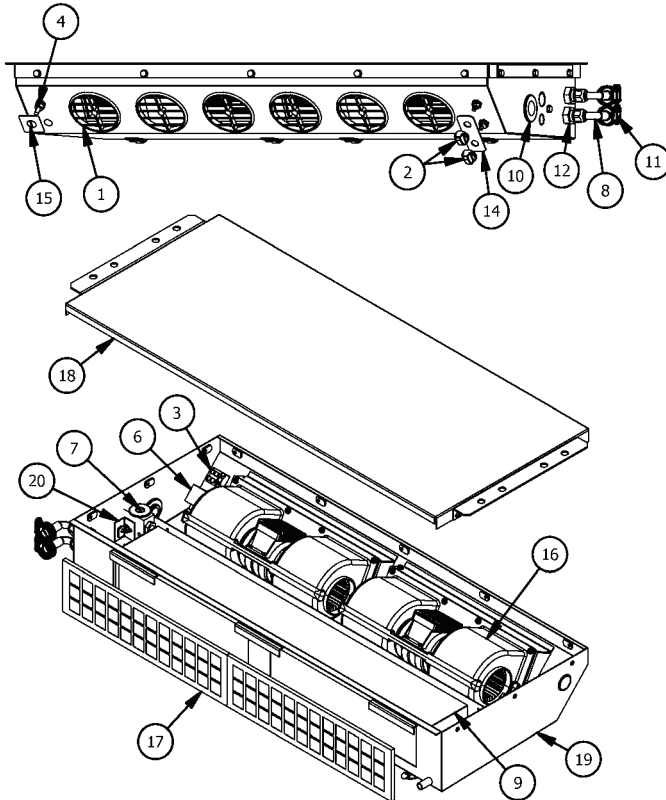


### FEATURES

- Available 12 or 24 Volt
- Heavy Duty Metal Construction (Eliminates Broken Plastic Cases & Drain Tubes)
- Removable Lid for Easy Access
- Filtered Air Intake
- Blower Assembly Enclosed Inside Case for Increased Safety
- 6 -3.5" Directional Round Louvers for Maximum Air Flow
- Steel Case with Black Powder Coat Finish

### OPTIONS

- Outside Air Adapter for Pressurization P/N 11-52104



315-HC PARTS LIST Rev.1				
ITEM	QTY	DTAC NO.	DESCRIPTION	NOTE
1	6	02-16061	3-1/2" Louver	
2	2	03-00165	Knob	
3	1	03-13006	Rotary 3-Speed Switch	
4	1	03-13020	Toggle Switch	
5	1	03-13029	40 Amp Circuit Breaker	1
6	1	03-14002	Rotary Thermostat	
7	1	04-15004	Block Expansion Valve	
8	2	05-00301	90 Deg. Heater Fitting	
9	1	07-00315	Heat\Cool Evap Coil	
10	1	09-00621	One Inch Grommet	
11	2	09-04000	Hose Clamp #6/#8	
12	2	09-50004	#8 MIO Bulkhead w Jam Nut	
13	1	12-00315	Wire Harness	1
14	1	12-50419	Faceplate	
15	1	12-50420	Face Plate - Heat/Cool	
16	2	30-51580	12V Blower Assembly	
		30-51581	24V Blower Assembly	
17	2	31-50000	Filter 315	
18	1	31-50001	Lid	
19	1	31-50002	Housing	
20	1	50-50500	Expansion Valve Mnt Brkt	
21	*	Note 1	Not Shown	

BTU'S HEAT	BTU'S COOL	AIR FLOW	HEIGHT	WIDTH	DEPTH	WEIGHT	MOTOR	CURRENT DRAW	DTAC NO.
22,000	33,000	410 CFM	5"	35.5"	14.75"	48 LBS	2-12V	24 AMPS @ 13.6 VDC	315-12HC
"	"	"	"	"	"	"	2-24V	14 AMPS @ 27 VDC	315-24HC

EVAPORATORS

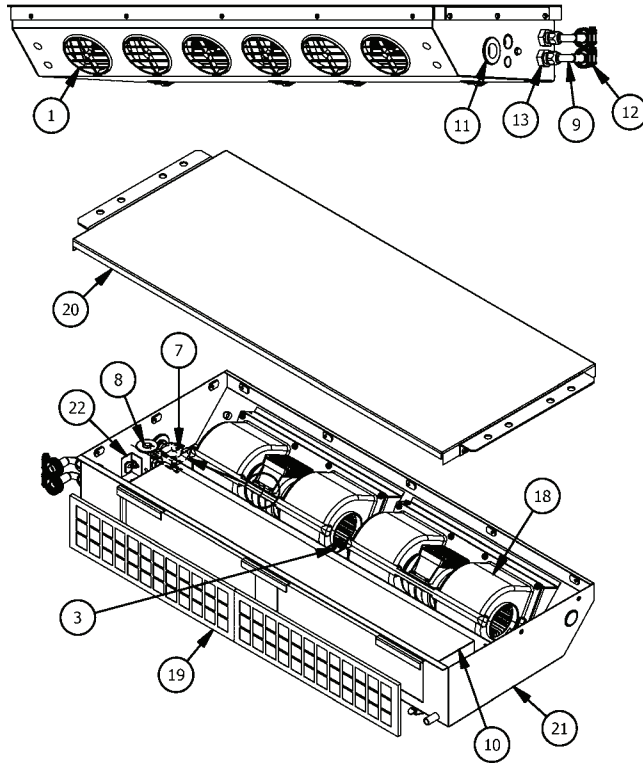


# EVAPORATORS

## 315-HCR Series

Heat/Cool with Remote Switch, Ceiling Mount

EVAPORATORS



### FEATURES

- Available 12 or 24 Volt
- Heavy Duty Metal Construction (Eliminates Broken Plastic Cases & Drain Tubes)
- Removable Lid for Easy Access
- Filtered Air Intake
- Blower Assembly Enclosed Inside Case for Increased Safety
- 6 -3.5" Directional Round Louvers for Maximum Air Flow
- Steel Case with Black Powder Coat Finish

### OPTIONS

- Outside Air Adapter for Pressurization P/N 11-52104

315-HCR PARTS LIST Rev.3				
ITEM	QTY	DTAC NO.	DESCRIPTION	NOTE
1	6	02-16061	3-1/2" Louver	
2	1	03-00165	Knob	1
3	1	03-01702	12V Relay	
		03-01704	24V Relay	
4	1	03-13006	Rotary 3-Speed Switch	1
5	1	03-13020	Toggle Switch	1
6	1	03-13029	40 Amp Circuit Breaker	1
7	1	03-14013	Preset Thermostat	
8	1	04-15004	Block Expansion Valve	
9	2	05-00301	90 Degree Heater Fitting	
10	1	07-00315	Heat/Cool Evap Coil	
11	1	09-00621	One Inch Grommet	
12	2	09-04000	Hose Clamp #6/#8	
13	2	09-50004	#8 MIO Bulkhead w Jam Nut	
14	1	12-00315RH	External Remote Wire Harness	1
15	1	12-00315RS	Internal Wire Harness (Remote)	1
16	1	12-50420	Face Plate - Heat/Cool	1
17	1	12-50421	Face Plate - Air Increase	1
18	2	30-51580	12V Blower Assembly	
		30-51581	24V Blower Assembly	
19	2	31-50000	Filter 315	
20	1	31-50001	Lid	
21	1	31-50002	Housing	
22	1	50-50500	Expansion Valve Mnt Brkt	
23	*	Note 1	Not Shown	

BTU'S HEAT	BTU'S COOL	AIR FLOW	HEIGHT	WIDTH	DEPTH	WEIGHT	REMOTE HARNESS	MOTOR	CURRENT DRAW	DTAC NO.
22,000	33,000	410 CFM	5"	35.5"	14.75"	48 LBS	Y	2-12V	24 AMPS @ 13.6 VDC	315-12HCR
"	"	"	"	"	"	"	"	2-24V	14 AMPS @ 27 VDC	315-24HCR



# EVAPORATORS

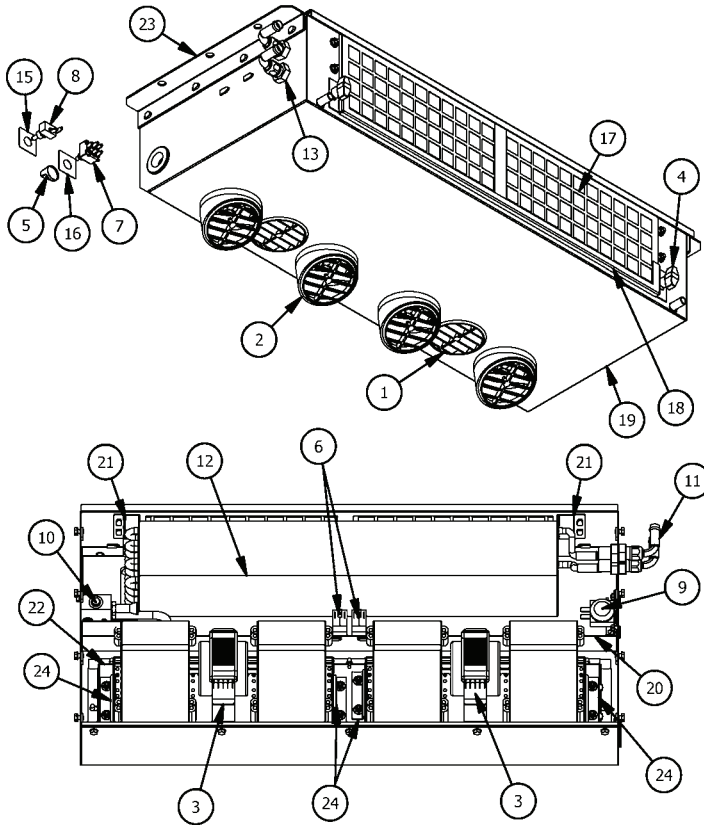
## 331 Series

Heat/Cool with Remote Switch, Ceiling Mount



### FEATURES

- Available 12 or 24 Volt
- Heavy Duty Metal Construction
- Fully Insulated Case Reduces Condensation
- Removable Lid for Easy Access
- Filtered Intake Air
- 6 – 3.5" Directional Round Louvers for Maximum Air Flow
- Steel Case with Black Powder Coat Finish



Internal Components

331 PARTS LIST Rev.1

ITEM	QTY	DTAC NO.	DESCRIPTION	NOTE
1	2	02-16061	3-1/2" Louver	
2	4	02-16073	3.5" Angled Louver	
3	2	02-17512	12V Blower Assembly	
		02-17524	24V Blower Assembly	
4	2	03-00164	Knob	
5	1	03-00165	Knob	
6	2	03-01702	12V Relay	
		03-01704	24V Relay	
7	1	03-13006	Rotary 3-Speed Switch	
8	1	03-13020	Toggle Switch	
9	1	03-14013	Preset Thermostat	
10	1	04-15004	Block Expansion Valve	
11	2	05-00301	90 Degree Heater Fitting	
12	1	07-00330	Coil, Heat/Cool 330 Unit	
13	2	09-50004	#8 Bulkhead w/ Nut	
14	1	12-00331	Wire Harness	1
15	1	12-50420	Face Plate - Heat/Cool	
16	1	12-50421	Face Plate - Air Increase	
17	2	14-10000	141 Intake Filter	
18	1	33-00003	Filter Brkt	
19	1	33-00007	Housing	
20	1	33-00008	Drain Pan	
21	2	33-00010	Coil Brkt	
22	1	33-00012	Blower Plenum	
23	1	33-10000	Lid 331	
24	4	70-51590	Blower Retainer Bracket	
25		NOTE 1	Not Shown	

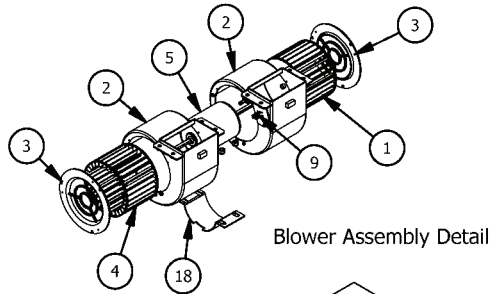
BTU'S HEAT	BTU'S COOL	AIR FLOW	HEIGHT	WIDTH	DEPTH	WEIGHT	REMOTE HARNESS	MOTOR	CURRENT DRAW	DTAC NO.
35,000	40,000	465 CFM	6.68"	36.75"	16"	65 LBS	Y	2-12V	25 AMPS @ 13.6 VDC	331-12A
"	"	"	"	"	"	"	"	2-24V	15 AMPS @ 27 VDC	331-24A



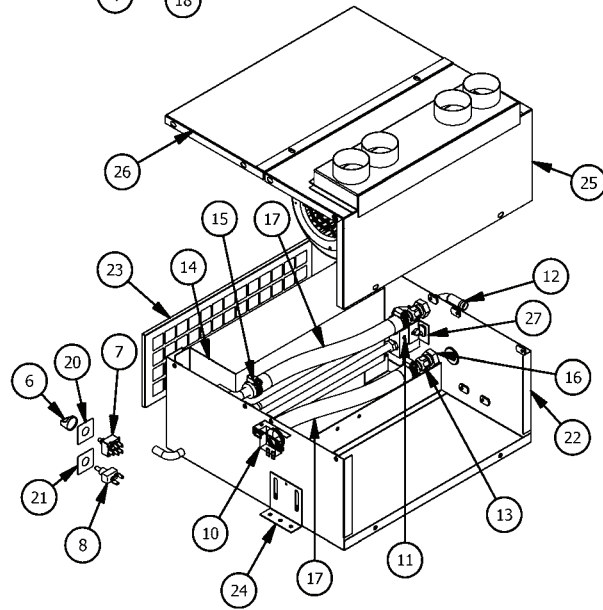
# EVAPORATORS

## 402 Series

Heat/Cool, Floor Mount



Blower Assembly Detail



### FEATURES

- Available 12 or 24 Volt
- Four 2.5" Duct Hose Outlets
- Three Speed Blower Motor with Remote Switch
- Preset Thermostat
- Easy Servicing by Removing Top Panel
- Removable, Washable Filter
- Steel Case with Black Powder Coat Finish

### OPTIONS

- Universal Louver Outlets P/N 410-AL4 or 420-AP2

### 402 PARTS LIST Rev.1

ITEM	QTY	DTAC NO.	DESCRIPTION	NOTE
1	1	02-16039	Blower Wheel CCW 701	
2	2	02-16058	Blower Housing	
3	2	02-16059	Venturi	
4	1	02-16400	Blower Wheel CW 701	
5	1	02-17018	12V DS 1SP Motor	
		02-17118	24V DS 1SP Motor	
6	1	03-00165	Knob	
7	1	03-13006	Rotary 3-Speed Switch	
8	1	03-13020	Toggle Switch	
9	1	03-13043	Resistor 3 Prong	
10	1	03-14013	Preset Thermostat	
11	1	04-15004	Block Expansion Valve	
12	2	05-00301	90 Degree Heater Fitting	
13	2	05-50818	Heater Fitting	
14	1	07-00913	Heat/Cool Coil	
15	4	09-04000	Hose Clamp #6/#8	
16	2	09-50004	#8 MIO Bulkhead w Jam Nut	
17	2	10-00058	5/8" Heater Hose	
18	1	12-00130	Top Motor Mount	
19	1	12-00400	Wire Harness	1
20	1	12-50420	Face Plate - Heat/Cool	
21	1	12-50421	Face Plate - Air Increase	
22	1	40-00002	Housing	
23	1	40-00003	Intake Filter	
24	2	40-00004	Mounting Leg	
25	1	40-00015	Blower Lid	
26	1	40-00016	Back Lid	
27	1	50-50500	Expansion Valve Mint Brkt	
28		Note 1	Not Shown	

BTU'S HEAT	BTU'S COOL	AIR FLOW	HEIGHT	WIDTH	DEPTH	WEIGHT	REMOTE HARNESS	MOTOR	CURRENT DRAW	DTAC NO.
26,000	26,000	405 CFM	7.5"	18"	17.5"	30 LBS	Y	1-12V	22.5 AMPS @ 13.6 VDC	402-12
"	"	"	"	"	"	"	"	1-24V	15 AMPS @ 27 VDC	402-24

EVAPORATORS





# EVAPORATORS

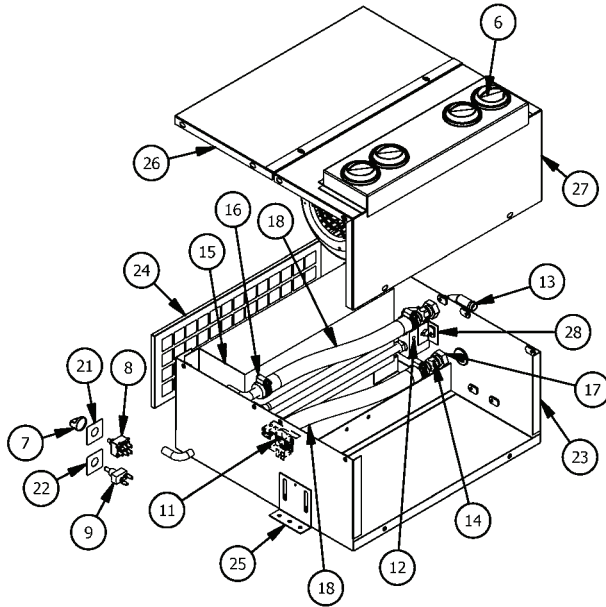
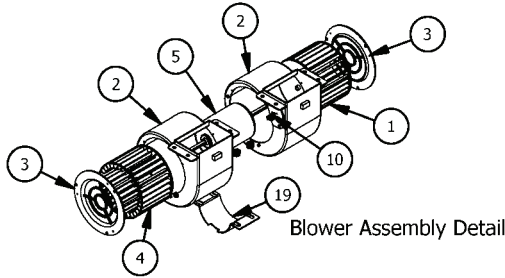
## 403 Series

Heat/Cool, Floor Mount



### FEATURES

- Available 12 or 24 Volt
- Four 2.5" Round Closeable Louvers
- Three Speed Blower Motor with Remote Switch
- Preset Thermostat
- Easy Servicing by Removing Top Panel
- Removable, Washable Filter
- Steel Case with Black Powder Coat Finish



403 PARTS LIST Rev.1				
ITEM	QTY	DTAC NO.	DESCRIPTION	NOTE
1	1	02-16039	Blower Wheel CCW 701	
2	2	02-16058	Blower Housing	
3	2	02-16059	Venturi	
4	1	02-16400	Blower Wheel CW 701	
5	1	02-17018 02-17118	12V DS 1SP Motor 24V DS 1SP Motor	
6	4	02-50169	2.5" Ball Louver	
7	1	03-00165	Knob	
8	1	03-13006	Rotary 3-Speed Switch	
9	1	03-13020	Toggle Switch	
10	1	03-13043	Resistor 3 Prong	
11	1	03-14013	Preset Thermostat	
12	1	04-15004	Block Expansion Valve	
13	2	05-00301	90 Degree Heater Fitting	
14	2	05-50818	Heater Fitting	
15	1	07-00913	Heat/Cool Coil	
16	4	09-04000	Hose Clamp #6/#8	
17	2	09-50004	#8 MIO Bulkhead w Jam Nut	
18	2	10-00058	5/8" Heater Hose	
19	1	12-00130	Top Motor Mount	
20	1	12-00400	Wire Harness	1
21	1	12-50420	Face Plate - Heat/Cool	
22	1	12-50421	Face Plate - Air Increase	
23	1	40-00002	Housing	
24	1	40-00003	Intake Filter	
25	2	40-00004	Mounting Leg	
26	1	40-00016	Back Lid	
27	1	40-30015	Blower Lid	
28	1	50-50500	Expansion Valve Mnt Brkt	
29		Note 1	Not Shown	

BTU'S HEAT	BTU'S COOL	AIR FLOW	HEIGHT	WIDTH	DEPTH	WEIGHT	REMOTE HARNESS	MOTOR	CURRENT DRAW	DTAC NO.
26,000	26,000	405 CFM	7.5"	18"	17.5"	30 LBS	Y	1-12V	22.5 AMPS @ 13.6 VDC	403-12
"	"	"	"	"	"	"	"	1-24V	15 AMPS @ 27 VDC	403-24

EVAPORATORS



# EVAPORATORS

## 430 Series

Heat/Cool, Floor Mount

EVAPORATORS

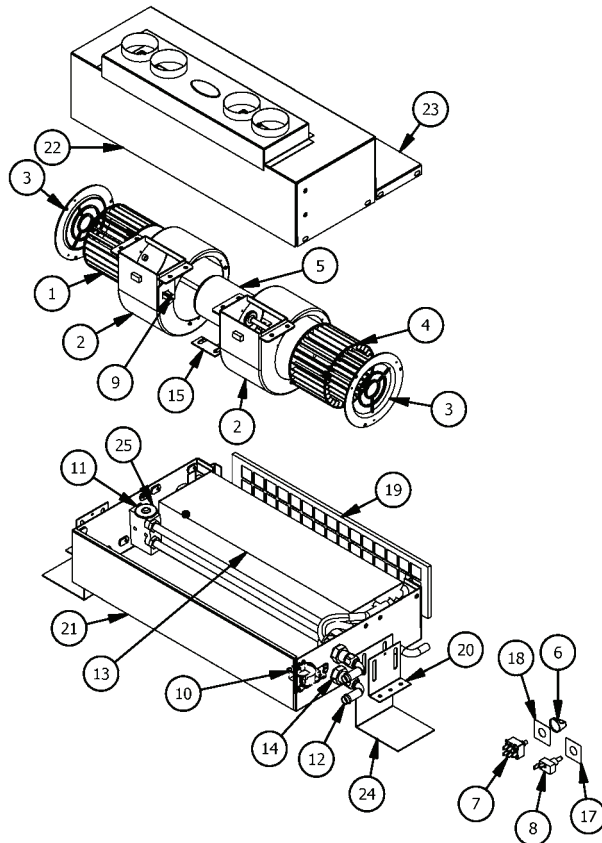


### FEATURES

- Available 12 or 24 Volt
- Four 2.5" Duct Hose Outlets
- Three Speed Blower Motor with Remote Switch
- Preset Thermostat
- Easy Servicing by Removing Top Panel
- Removable, Washable Filter
- Steel Case with Black Powder Coat Finish

### OPTIONS

- Universal Louver Outlets P/N 410-AL4 or 420-AP2



**430 PARTS LIST Rev.2**

ITEM	QTY	DTAC NO.	DESCRIPTION	NOTE
1	1	02-16039	Blower Wheel CCW 701	
2	2	02-16058	Blower Housing	
3	2	02-16059	Venturi	
4	1	02-16400	Blower Wheel CW 701	
5	1	02-17018	12V DS 1SP Motor	
		02-17118	24V DS 1SP Motor	
6	1	03-00165	Knob	
7	1	03-13006	Rotary 3-Speed Switch	
8	1	03-13020	Toggle Switch	
9	1	03-13043	Resistor 3 Prong	
10	1	03-14013	Preset Thermostat	
11	1	04-15004	Block Expansion Valve	
12	2	05-00301	90 Degree Heater Fitting	
13	1	07-00301	Evaporator Coil	
14	2	09-50004	#8 MIO Bulkhead w Jam Nut	
15	1	12-00130	Top Motor Mount	
16	1	12-00400	Wire Harness	1
17	1	12-50420	Face Plate - Heat/Cool	
18	1	12-50421	Face Plate - Air Increase	
19	1	30-50253	Intake Filter, 18.875 x 4.25	
20	2	40-00004	Mounting Leg	
21	1	43-00001	Bottom Housing	
22	1	43-00002	Blower Lid	
23	1	43-00003	Coil Lid	
24	2	43-00006	Long Mount Brkt	
25	1	50-50500	Expansion Valve Mnt Brkt	
26		Note 1	Not Shown	

BTU'S HEAT	BTU'S COOL	AIR FLOW	HEIGHT	WIDTH	DEPTH	WEIGHT	REMOTE HARNESS	MOTOR	CURRENT DRAW	DTAC NO.
16,000	20,200	395 CFM	11"	22"	12"	34 LBS	Y	1-12V	22.5 AMPS @ 13.6 VDC	430-12
"	"	"	"	"	"	"	"	1-24V	15 AMPS @ 27 VDC	430-24





# EVAPORATORS

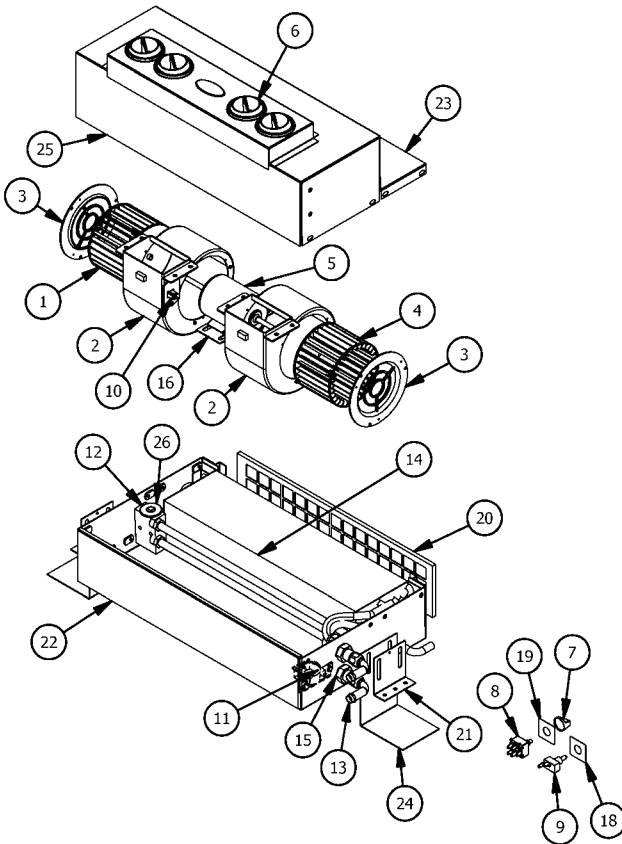
## 431 Series

Heat/Cool, Floor Mount



### FEATURES

- Available 12 or 24 Volt
- Four 2.5" Round Closeable Louvers
- Three Speed Blower Motor with Remote Switch
- Preset Thermostat
- Easy Servicing by Removing Top Panel
- Removable, Washable Filter
- Steel Case with Black Powder Coat Finish



**431 PARTS LIST Rev.1**

ITEM	QTY	DTAC NO.	DESCRIPTION	NOTE
1	1	02-16039	Blower Wheel CCW 701	
2	2	02-16058	Blower Housing	
3	2	02-16059	Venturi	
4	1	02-16400	Blower Wheel CW 701	
5	1	02-17018	12V DS 1SP Motor	
		02-17118	24V DS 1SP Motor	
6	4	02-50169	2.5" Ball Louver	
7	1	03-00165	Knob	
8	1	03-13006	Rotary 3-Speed Switch	
9	1	03-13020	Toggle Switch	
10	1	03-13043	Resistor 3 Prong	
11	1	03-14013	Preset Thermostat	
12	1	04-15004	Block Expansion Valve	
13	2	05-00301	90 Degree Heater Fitting	
14	1	07-00301	Evaporator Coil	
15	2	09-50004	#8 MIO Bulkhead w Jam Nut	
16	1	12-00130	Top Motor Mount	
17	1	12-00400	Wire Harness	1
18	1	12-50420	Face Plate - Heat/Cool	
19	1	12-50421	Face Plate - Air Increase	
20	1	30-50253	Intake Filter, 18.875 x 4.25	
21	2	40-00004	Mounting Leg	
22	1	43-00001	Bottom Housing	
23	1	43-00003	Coil Lid	
24	2	43-00006	Long Mount Brkt	
25	1	43-10000	Blower Lid	
26	1	50-50500	Expansion Valve Mnt Brkt	
27		Note 1	Not Shown	

BTU'S HEAT	BTU'S COOL	AIR FLOW	HEIGHT	WIDTH	DEPTH	WEIGHT	REMOTE HARNESS	MOTOR	CURRENT DRAW	DTAC NO.
16,000	20,200	395 CFM	11"	22"	12"	34 LBS	Y	1-12V	22.5 AMPS @ 13.6 VDC	431-12
"	"	"	"	"	"	"	"	1-24V	15 AMPS @ 27 VDC	431-24

EVAPORATORS



# EVAPORATORS

## 500-C Series

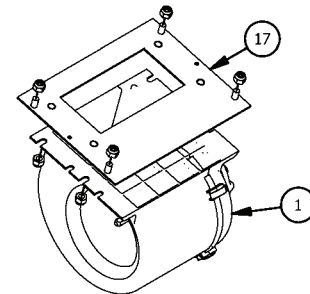
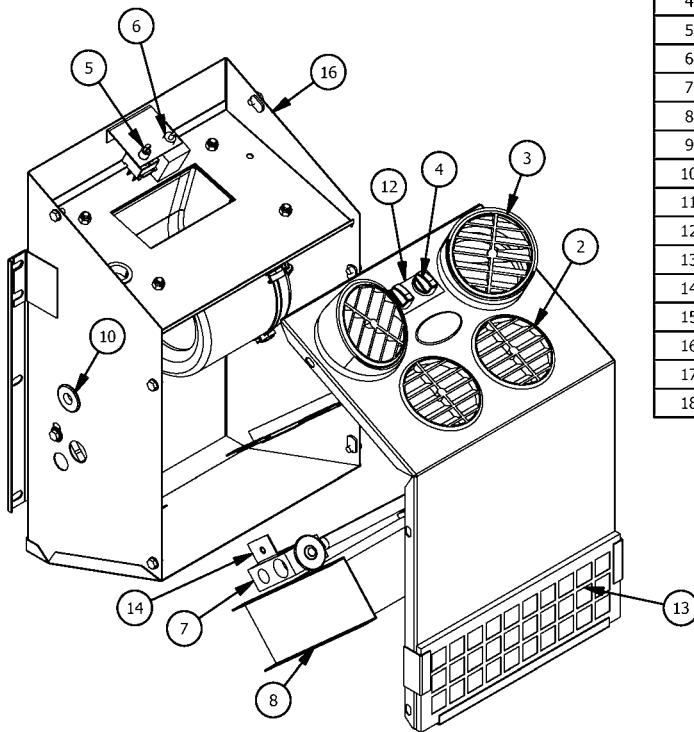
Cool Only, Wall Mount or Between the Seat

EVAPORATORS



### FEATURES

- New Version Includes Upgrade Blower Assembly
- Available 12 or 24 Volt
- Three Speed Blower Motor
- Adjustable Thermostat
- Filtered Intake Air
- Easy Servicing by Removing Front Panel
- Mounting Flange Welded to Case
- Steel Case with Black Powder Coat Finish



Blower Assembly Detail

500-C Parts List Rev.1				
ITEM	QTY	DTAC NO.	DESCRIPTION	NOTE
1	1	02-04205	12V Blower Assembly	
		02-04204	24V Blower Assembly	
2	2	02-16061	3-1/2" Louver	
3	2	02-16073	3.5" Angled Louver	
4	2	03-00165	Knob	
5	1	03-13006	Rotary 3-Speed Switch	
6	1	03-14002	Rotary Thermostat	
7	1	04-15004	Block Expansion Valve	
8	1	07-00500	Evaporator Coil	
9	1	12-00026	Wire Harness	1
10	1	12-00116	One Inch Grommet	
11	1	12-02140	1" Plastic Grommet	
12	1	12-50739	Faceplate	
13	1	50-00005	Filter 500	
14	1	50-50500	Expansion Valve Mnt Brkt	
15	1	50-50701	Top Housing	
16	1	50-50702A	Bottom Housing	
17	1	50-50703	Motor Mount Plate	
18	1	Note 1	Item Not Shown	

BTU'S COOL	AIR FLOW	HEIGHT	WIDTH	DEPTH	WEIGHT	MOTOR	CURRENT DRAW	DTAC NO.
20,500	475 CFM	19.5"	11.81"	8.25"	26 LBS	1-12V	15.5 AMPS @ 13.5 VDC	500-12C
"	"	"	"	"	"	1-24V	8 AMPS @ 26.8 VDC	500-24C



# EVAPORATORS

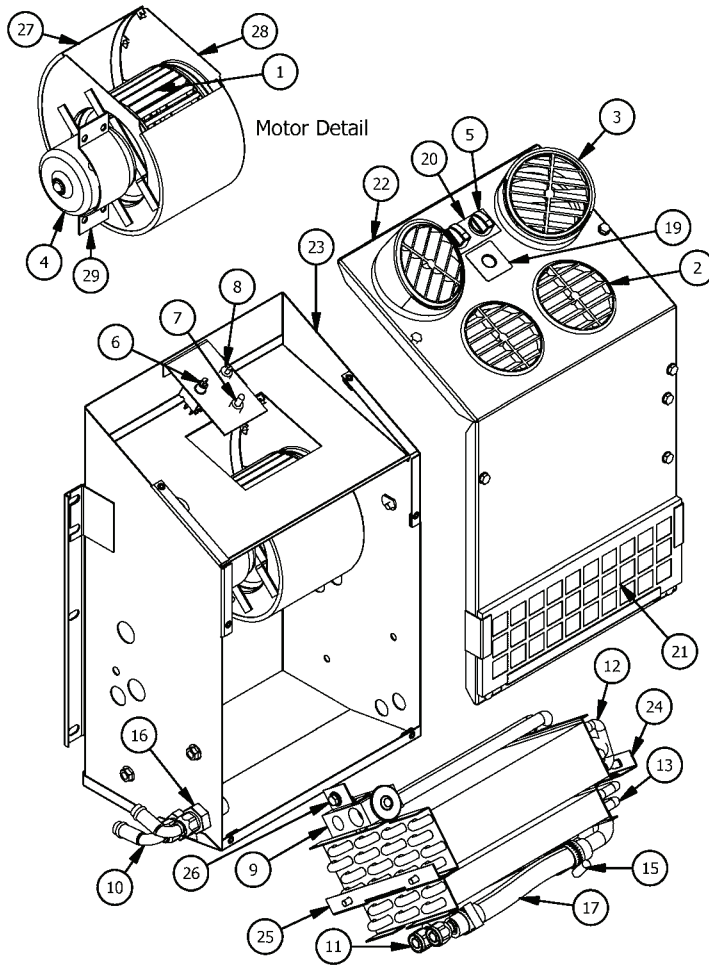
## 500-HC Series

Heat/Cool, Wall Mount or Between the Seat



### FEATURES

- Available 12 or 24 Volt
- Three Speed Blower Motor
- Adjustable Thermostat
- Filtered Intake Air
- Easy Servicing by Removing Front Panel
- Mounting Flange Welded to Case
- Steel Case with Black Powder Coat Finish



500-HC Parts List Rev.1				
ITEM	QTY	DTAC NO.	DESCRIPTION	NOTE
1	1	02-16039	Blower Wheel CCW 701	
2	2	02-16061	3-1/2" Louver	
3	2	02-16073	3.5" Angled Louver	
4	1	02-18005	12V 3SP Single Shaft Motor	
		02-18105	24V 3SP Single Shaft Motor	
5	2	03-00165	Knob	
6	1	03-13006	Rotary 3-Speed Switch	
7	1	03-13020	Toggle Switch	
8	1	03-14002	Rotary Thermostat	
9	1	04-15004	Block Expansion Valve	
10	2	05-00301	90 Degree Heater Fitting	
11	2	05-50818	Heater Fitting	
12	1	07-00500	Evaporator Coil	
13	1	07-00504	Heater Coil	
15	4	09-04000	Hose Clamp	
16	2	09-50004	#8 MIO Bulkhead w Jam Nut	
17	2	10-00058	5/8" Heater Hose	
18	1	12-00504	Wire Harness	1
19	1	12-50420	Face Plate - Heat/Cool	
20	1	12-50739	Faceplate	
21	1	50-00005	Filter 500	
22	1	50-40000	Lid	
23	1	50-40001	Bottom Housing	
24	1	50-40002	Coil Brkt, LG	
25	1	50-40003	Coil Brkt, SM	
26	1	50-50500	Expansion Valve Mnt Brkt	
27	1	50-50600	Blower Housing	
28	1	50-50601	Venturi	
29	1	50-50719	Motor Strap	
67	1	Note 1	Item Not Shown	

BTU'S HEAT	BTU'S COOL	AIR FLOW	HEIGHT	WIDTH	DEPTH	WEIGHT	MOTOR	CURRENT DRAW	DTAC NO.
15,000	20,500	395 CFM	11"	11.81"	8.25"	28 LBS	1-12V	13.5 AMPS @ 13.5 VDC	500-12HC
"	"	"	"	"	"	"	1-24V	7 AMPS @ 26.8 VDC	500-24HC

EVAPORATORS



# EVAPORATORS

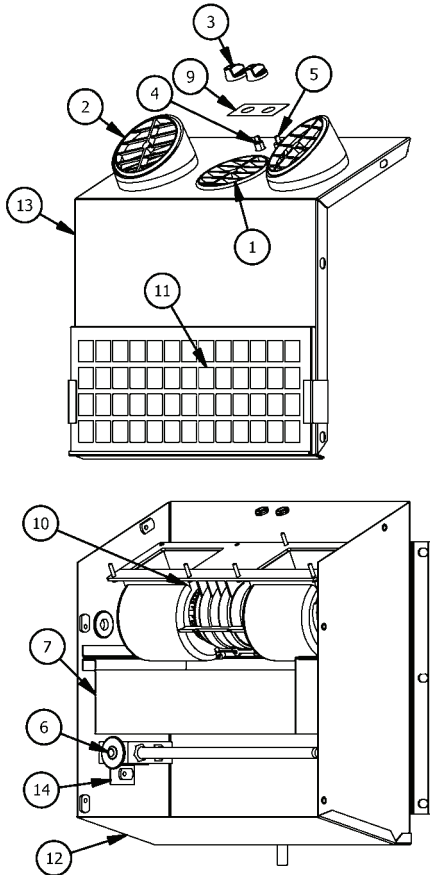
## 502 Series

Cool Only, Wall Mount



### FEATURES

- Available 12 or 24 Volt
- Three Speed Blower Motor
- Adjustable Thermostat
- Filtered Intake Air
- Easy Servicing by Removing Front Panel
- Mounting Flange Welded to Case
- Steel Case with Black Powder Coat Finish



502 PARTS LIST Rev.3

ITEM	QTY	DTAC NO.	DESCRIPTION	NOTE
1	1	02-16061	3-1/2" Louver	
2	2	02-16073	3.5" Angled Louver	
3	2	03-00165	Knob	
4	1	03-13006	Rotary 3-Speed Switch	
5	1	03-14002	Rotary Thermostat	
6	1	04-15004	Block Expansion Valve	
7	1	07-00502	Coil Assembly	
8	1	12-00026	Wire Harness	1
9	1	12-50739	Faceplate	
10	1	30-51580	12V Blower Assembly	
		30-51581	24V Blower Assembly	
11	1	40-00003	Intake Filter	
12	1	50-20000	Housing 502	
13	1	50-20001	Lid 502	
14	1	50-50500	Expansion Valve Mnt Brkt	
15		Note 1	Not Shown	

BTU'S COOL	AIR FLOW	HEIGHT	WIDTH	DEPTH	WEIGHT	MOTOR	CURRENT DRAW	DTAC NO.
18,000	302 CFM	16"	16.25"	6.75"	26 LBS	1-12V	13 AMPS @ 13.5 VDC	502-12
"	"	"	"	"	"	1-24V	8 AMPS @ 26.8 VDC	502-24

EVAPORATORS



# EVAPORATORS

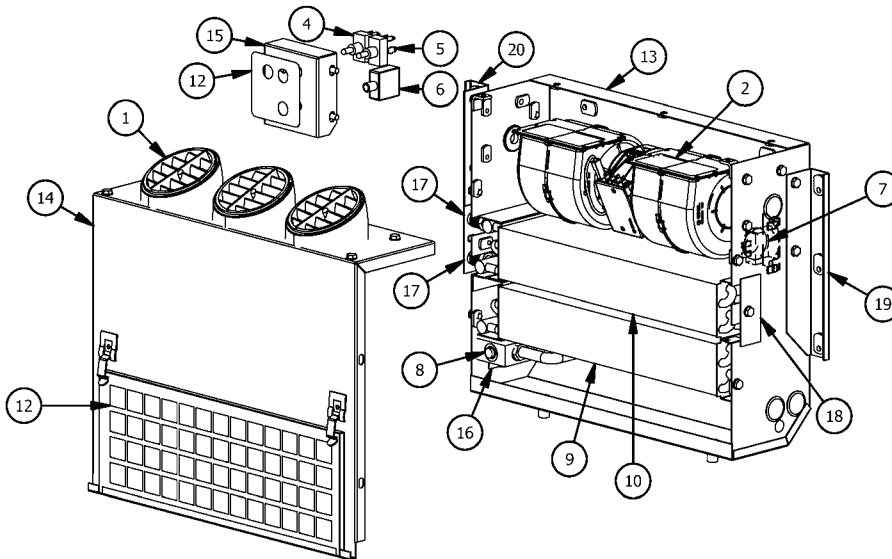
## 505-HC Series

Heat/Cool, Wall Mount



### FEATURES

- Available 12 or 24 Volt
- Three Speed Blower Motor
- Filtered Intake Air
- Easy Servicing by Removing Front Panel
- Mounting Flange Welded to Case
- Steel Case with Black Powder Coat Finish



EVAPORATORS

505-HC Parts List Rev.1					505-HC Parts List Rev.1				
ITEM	QTY	DTAC NO.	DESCRIPTION	NOTE	ITEM	QTY	DTAC NO.	DESCRIPTION	NOTE
1	3	02-16073	3.5 in Angled Louver		11	1	12-00505	Wire Harness	1
2	1	02-17503	12V Blower Motor Assembly		12	1	40-00003	Intake Filter	
		02-17523	24V Blower Motor Assembly		13	1	50-50000	Housing	
3	1	03-01702	12V Relay	1	14	1	50-50001	Lid	
		03-01704	24V Relay		15	1	50-50003	Switch Panel	
4	1	03-13017	Toggle SW 6 -Term		16	1	50-50004	Block Valve Bracket	
5	1	03-13018	Toggle SW 4 -Term		17	1	50-50005	Coil End Plate	
6	1	03-13039	Circuit Breaker		18	1	50-50006	End Plate	
7	1	03-14013	Preset Thermostat		19	1	50-50007	Mount Brkt - Right	
8	1	04-15004	Block Expansion Valve		20	1	50-50008	Mount Brkt - Left	
9	1	07-00505EV	Evaporator Coil						
10	1	07-00505H	Heater Coil						

BTU'S HEAT	BTU'S COOL	AIR FLOW	HEIGHT	WIDTH	DEPTH	WEIGHT	MOTOR	CURRENT DRAW	DTAC NO.
22,000	15,200	300 CFM	16.7"	17.5"	5.7"	30 LBS	1-12V	9 Amps @ 13.5 VDC	505-12HC
"	"	"	"	"	"	"	1-24V	4.5 Amps @ 27 VDC	505-24HC





# EVAPORATORS

## 701 Series

Cool Only, Rooftop Mount

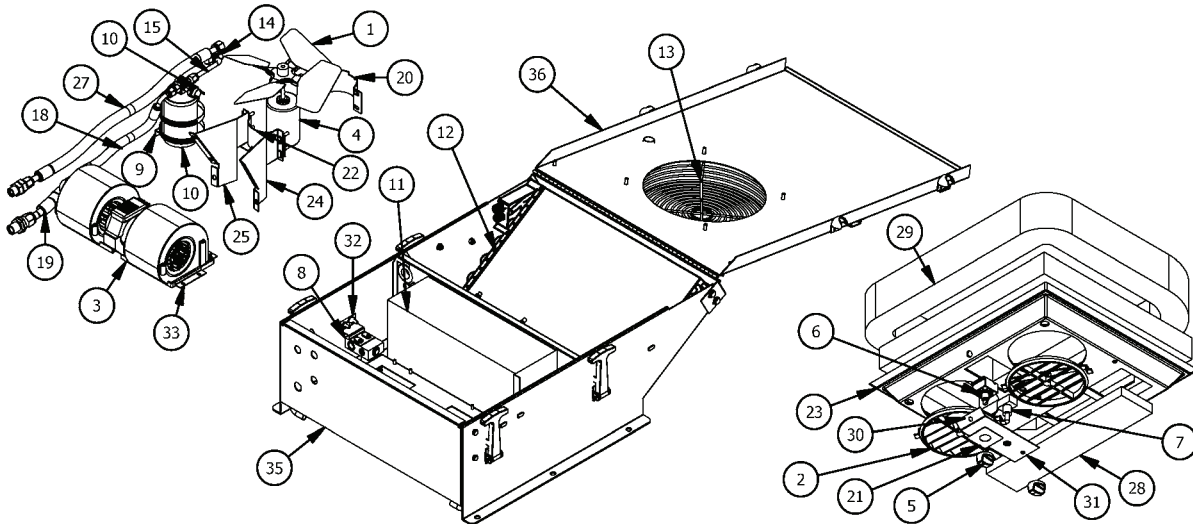


### FEATURES

- Available 12 or 24 Volt
- Three Speed Blower Motor
- Adjustable Thermostat
- Rubber Latched Cover for Easy Service Access

### OPTIONS

- Donaldson External Filter Assembly P/N: 11-53906



701 PARTS LIST Rev.3					701 PARTS LIST Rev.3				
ITEM	QTY	DTAC NO.	DESCRIPTION	NOTE	ITEM	QTY	DTAC NO.	DESCRIPTION	NOTE
1	1	02-16008	Fan Blade		20	1	12-00130	Top Motor Mount	
2	2	02-16065	Louver		21	1	12-50419	Face Plate	
3	1	02-17408	12V Blower Assy.		22	1	40-00005	Top Motor Mount	
		02-17509	24V Blower Assy		23	1	70-00001	Plenum	
4	1	02-48005	12V Cond. Motor		24	1	70-00006	Motor Mount Left	
		02-48105	24V Cond. Motor		25	1	70-00007	Motor Mount Right	
5	2	03-00165	Knob		26	1	70-00016	Wire Harness	1
6	1	03-13006	3 SPEED SWITCH		27	1	70-00102	#8 Hose Assy	
7	1	03-14003	Thermostat		28	1	70-50321	Foam Filter	
8	1	04-15004	Block Expansion Valve		29	1	70-50323	D-Ring Insulation	
9	1	06-10107	Drier Brkt		30	1	70-50324	Foam Insulation	
10	1	06-12067	06-12058-1 w/ 03-34070		31	1	70-51585	Switch Panel	
11	1	07-00700	Evaporator Coil		32	1	70-51587	Block Vlv Brkt	
12	1	07-00701	Cond Coil		33	4	70-51590	Blower Retainer Bracket	
13	1	07-36008	Grille	1	34	1	70-51591	Drain Pan 700	
14	1	09-02676BL	#6 FM to Male Adapter		35	1	70-51594	Bottom Housing	
15	1	09-38276	No.6 Spec Fitting		36	1	70-51599	Lid	1
16	1	09-50004	#8 Bulkhead w Jam Nut		37		Note 1	Item Not Shown	
17	1	09-50005	#10 Bulkhead w Jam Nut						
18	1	10-10700	#6 Hose Assy						
19	1	10-59297X	#10 Hose Assy						

BTU'S COOL	AIR FLOW	HEIGHT	WIDTH	DEPTH	WEIGHT	MOTOR	CURRENT DRAW	DTAC NO.
23,500	345 CFM	13.25"	23.25"	30.25"	92 LBS	1-12V	27 AMPS @ 13.5 VDC	701-12
"	"	"	"	"	"	1-24V	14 AMPS @ 26.8 VDC	701-24

EVAPORATORS



# EVAPORATORS

## 702 Series

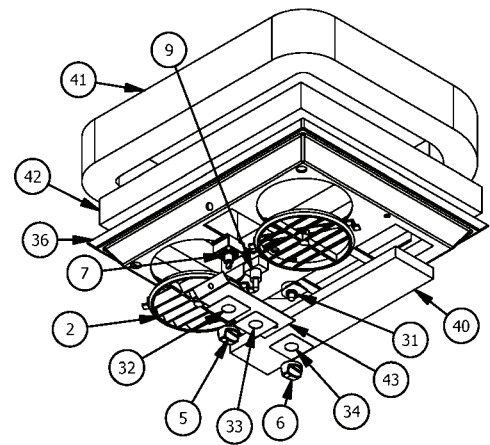
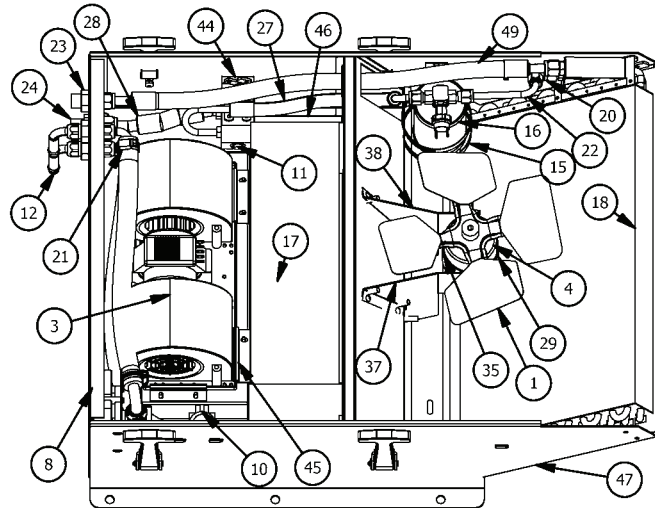
Heat/Cool, Rooftop Mount



### FEATURES

- Electronic Water Valve
- Three Speed Blower Motor
- Preset Thermostat
- Rubber Latched Cover for Easy Service Access

702 PARTS LIST Rev.3					702 PARTS LIST Rev.3				
ITEM	QTY	DTAC NO.	DESCRIPTION	NOTE	ITEM	QTY	DTAC NO.	DESCRIPTION	NOTE
1	1	02-16008	Fan Blade		42	1	70-50324	Foam Insulation	
2	2	02-16065	Louver		43	1	70-51585	Switch Panel	
3	1	02-17408	12V Blower Assy.		44	1	70-51587	Block Vlv Brkt	
		02-17509	24V Blower Assy		45	4	70-51590	Blower Retainer Bracket	
4	1	02-48005	12V Cond. Motor		46	1	70-51591	Drain Pan 700	
		02-48105	24V Cond. Motor		47	1	70-51594	Bottom Housing	
5	1	03-00165	Knob		48	1	70-51599	Lid	1
6	1	03-00166	Knob		49	1	70-70208	#8 Hose Assy	
7	1	03-13006	3 SPEED SWITCH		50		Note 1	Item Not Shown	
8	1	03-13027	Actuator Control						
9	1	03-14003	Thermostat						
10	1	03-14013	Thermostat						
11	1	04-15004	Block Expansion Valve						
12	4	05-00301	90 Deg Heater Fitting						
13	1	05-00901	WV Base Kit	1					
14	2	05-80901	90 Deg Copper Fitting	1					
15	1	06-10107	Drier Brkt						
16	1	06-12067	06-12058-1 w/ 03-34070						
17	1	07-00700	Evaporator Coil						
18	1	07-00701	Cond Coil						
19	1	07-36008	Grille	1					
20	1	09-02676BL	#6 FM to Male Adapter						
21	6	09-04000	Hose Clamp #6/#8						
22	1	09-38276	No.6 Spec Fitting						
23	1	09-50004	#8 Bulkhead w Jam Nut						
24	1	09-50005	#10 Bulkhead w Jam Nut						
25	1	10-00058	5/8" Heater Hose						
26	1	10-00058	5/8" Heater Hose						
27	1	10-70206	#6 Hose Assy						
28	1	10-70210	#10 Hose Assy						
29	1	12-00130	Top Motor Mount						
30	1	12-00240A	Water Valve Bracket	1					
31	1	12-43411	Actuator Wire Harness						
32	1	12-50419	Face Plate						
33	1	12-50421	Face Plate - Air Increase						
34	1	12-50741	Face Plate - H/C WV						
35	1	40-00005	Top Motor Mount						
36	1	70-00001	Plenum						
37	1	70-00006	Motor Mount Left						
38	1	70-00007	Motor Mount Right						
39	1	70-00016	Wire Harness	1					
40	1	70-50321	Foam Filter						
41	1	70-50323	D-Ring Insulation						



BTU'S HEAT	BTU'S COOL	AIR FLOW	HEIGHT	WIDTH	DEPTH	WEIGHT	MOTOR	CURRENT DRAW	DTAC NO.
15,500	23,500	345 CFM	13.25"	23.25"	33.5"	100 LBS	1-12V	27 AMPS @ 13.5 VDC	702-12
"	"	"	"	"	"	"	1-24V	14 AMPS @ 26.8 VDC	702-24

EVAPORATORS





# EVAPORATORS

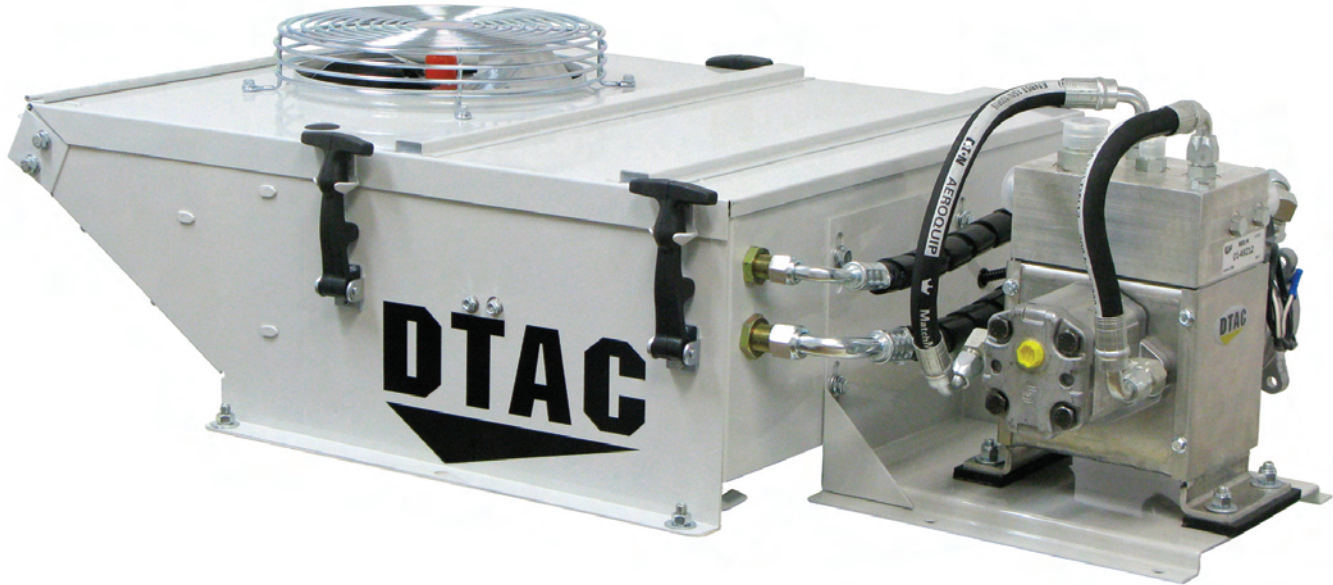
## 707 Series

Cool Only Rooftop Mount with Hydrailic



### FEATURES

- Includes our 701 Series Rooftop Unit Neatly Packaged with Our Hydraulic Driven Compressor for a Complete A/C System
- Comes Pre-Assembled, Ready to Charge and Connect to Equipment Hydraulics



EVAPORATORS

BTU'S HEAT	BTU'S COOL	AIR FLOW	HEIGHT	WIDTH	DEPTH	WEIGHT	MOTOR	DTAC NO.
"	23,500	345 CFM	13.25"	23.25"	"	132 LBS	1-12V	707-12
"	"	"	"	"	"	"	1-24V	707-24



# EVAPORATORS

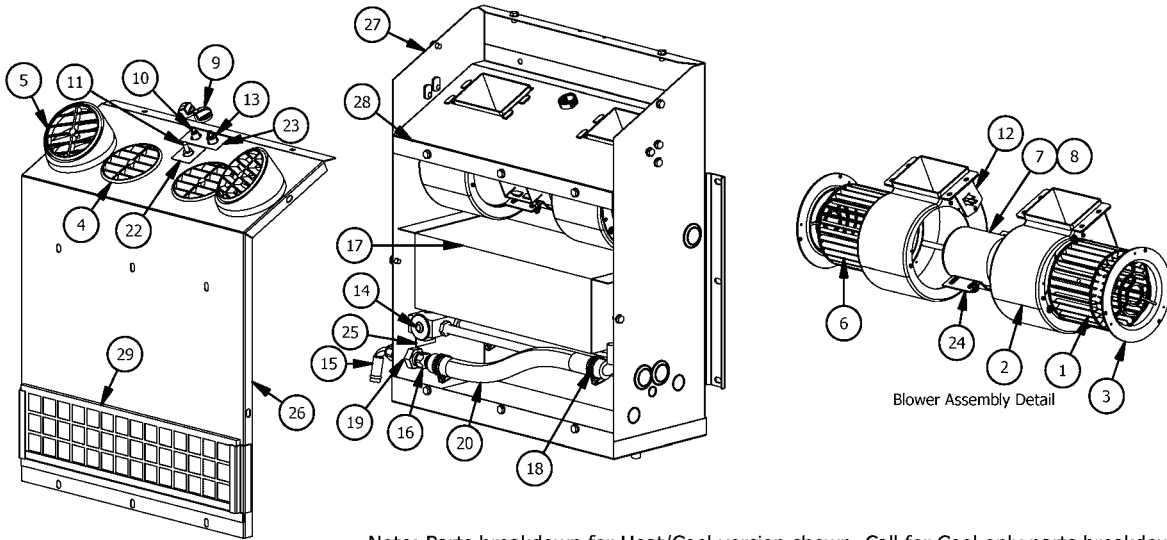
## 800 Series

Heat/Cool, Wall Mount



### FEATURES

- Available 12 or 24 Volt
- Three Speed Blower Motor
- Adjustable Thermostat
- Easy Servicing by Removing Front Panel
- Mounting Flange Welded to Case
- Access to All Internal Parts Without Removal of Unit
- Steel Case with Black Powder Coat Finish



Note: Parts breakdown for Heat/Cool version shown. Call for Cool only parts breakdown.

800 PARTS LIST						800 PARTS LIST					
ITEM	QTY 12V	QTY 24V	DTAC NO.	DESCRIPTION	NOTE	ITEM	QTY 12V	QTY 24V	DTAC NO.	DESCRIPTION	NOTE
1	1	1	02-16039	Blower Wheel CCW 701		16	2	2	05-50818	Heater Fitting	
2	2	2	02-16058	Blower Housing		17	1	1	07-00913	Heat/Cool Coil	
3	2	2	02-16059	Venturi		18	4	4	09-04000	Hose Clamp #6/#8	
4	2	2	02-16061	3.5 in Louver		19	2	2	09-50004	#8 MIO Bulkhead w Jam Nut	
5	2	2	02-16073	3.5" Angled Louver		20	2	2	10-00058	5/8" Heater Hose	
6	1	1	02-16400	Blower Wheel CW 701		21	1	1	12-00801	Wire Harness	1
7	1	0	02-17018	12V DS 1SP Motor		22	1	1	12-50420	Face Plate - Heat/Cool	
8	0	1	02-17118	24V DS 1SP Motor		23	1	1	12-50739	Faceplate	
9	2	2	03-00165	Knob		24	1	1	12-00130	Top Motor Mount	
10	1	1	03-13006	Rotary 3-Speed Switch		25	1	1	50-50500	Expansion Valve Mnt Brkt	
11	1	1	03-13020	Toggle Switch		26	1	1	80-00007	Lid	
12	1	1	03-13043	Resistor 3 Prong		27	1	1	80-00008	Rear Housing	
13	1	1	03-14002	Rotary Thermostat		28	1	1	80-00015	Blower Asm Plate	
14	1	1	04-15004	Block Expansion Valve		29	1	1	80-00017	Intake Filter, 800,315	
15	2	2	05-00301	90 Degree Heater Fitting		30			Note 1	Not Shown	

BTU'S HEAT	BTU'S COOL	AIR FLOW	HEIGHT	WIDTH	DEPTH	WEIGHT	MOTOR	CURRENT DRAW	DTAC NO.
26,000	26,000	405 CFM	22"	18"	7.5"	30 LBS	1-12V	22.5 AMPS @ 13.6 VDC	800-12
"	"	"	"	"	"	"	1-24V	15 AMPS @ 27 VDC	800-24

EVAPORATORS



# EVAPORATORS

## 800-C & HC Series

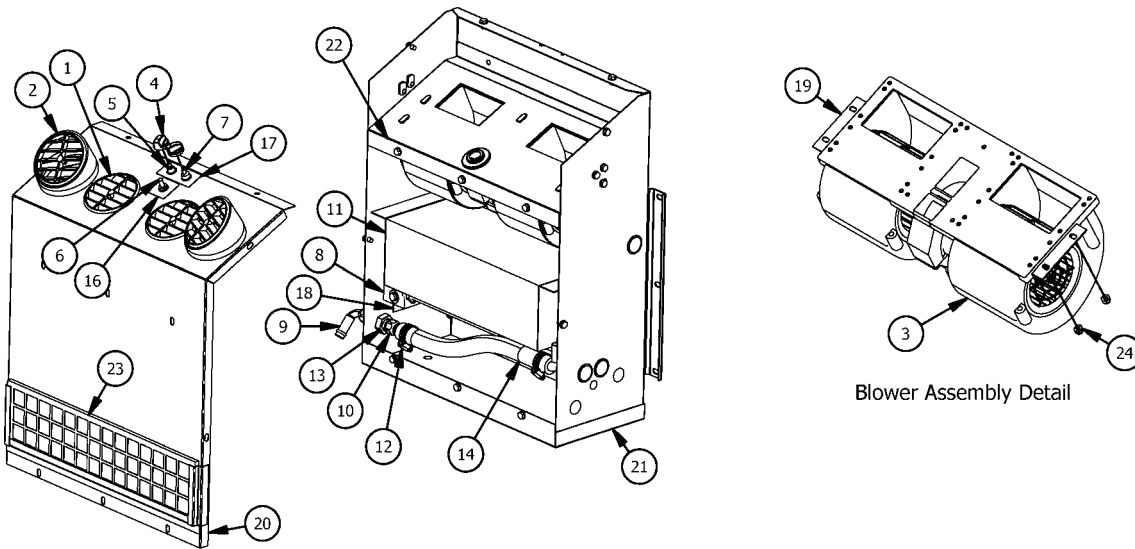
Heat/Cool, Wall Mount

EVAPORATORS



### FEATURES

- **New Upgraded Blower Assembly**
- Available 12 or 24 Volt
- Three Speed Blower Motor
- Adjustable Thermostat
- Easy Servicing by Removing Front Panel
- Mounting Flange Welded to Case
- Access to All Internal Parts Without Removal of Unit
- Steel Case with Black Powder Coat Finish



800-C & HC Parts List Rev.1					800-C & HC Parts List Rev.1				
ITEM	QTY	DTAC NO.	DESCRIPTION	NOTE	ITEM	QTY	DTAC NO.	DESCRIPTION	NOTE
1	2	02-16061	3.5 in Louver		14	2	10-00058	5/8" Heater Hose	2
2	2	02-16073	3.5" Angled Louver		15	1	12-00801	Wire Harness 800	1
3	1	02-17505	12V Blower Assembly		16	1	12-50420	Face Plate - Heat/Cool	2
		02-17510	24V Blower Assembly		17	1	12-50739	Faceplate	
4	2	03-00165	Knob		18	1	50-50500	Expansion Valve Mnt Brkt	
5	1	03-13006	Rotary 3-Speed Switch		19	2	70-51590	Blower Retainer Bracket	
6	1	03-13020	Toggle Switch	2	20	1	80-00007	Lid	
7	1	03-14002	Rotary Thermostat		21	1	80-00008	Rear Housing	
8	1	04-15004	Block Expansion Valve		22	1	80-00015A	Blower Asm Plate	
9	2	05-00301	90 Degree Heater Fitting	2	23	1	80-00017	Intake Filter, 800,315	
			Heater Fitting	2	24	1	Note 1	Item Not Shown	
11	1	07-00913	Heat/Cool Coil	2	25	1	Note 2	Used in HC only	
		07-00914	Cool Only Coil						
12	4	09-04000	Hose Clamp #6/#8	2					
13	2	09-50004	#8 MIO Bulkhead w Jam Nut	2					

BTU'S HEAT	BTU'S COOL	AIR FLOW	HEIGHT	WIDTH	DEPTH	WEIGHT	MOTOR	CURRENT DRAW	DTAC NO.
26,000	26,000	460 CFM	22"	18"	7.5"	30 LBS	1-12V	13.5 AMPS @ 13.5 VDC	800-12HC
"	"	"	"	"	"	"	1-24V	8 AMPS @ 27 VDC	800-24HC
--	30,000	460 CFM	22"	18"	7.5"	30 LBS	1-12V	13.5 AMPS @ 13.5 VDC	800-12C
--	"	"	"	"	"	"	1-24V	8 AMPS @ 27 VDC	800-24C



# EVAPORATORS

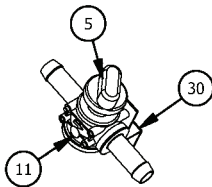
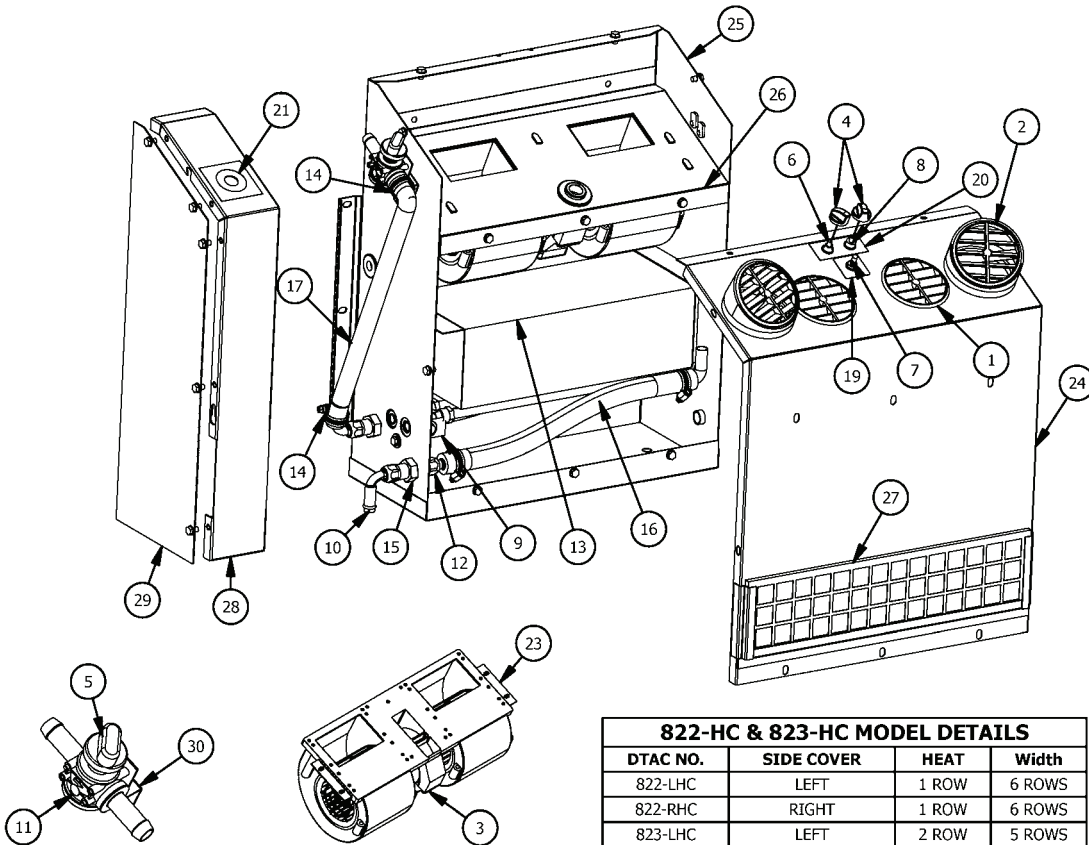
## 822 & 823 Series HC Series

Heat/Cool, Wall Mount w/ Water Valve

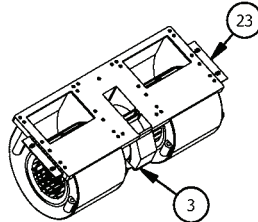


### FEATURES

- **New Upgraded Blower Motor**
- Available 12 or 24 Volt
- Adjustable Water Valve & Cover Can be Mounted on Left or Right Side
- Three Speed Blower Motor
- Adjustable Thermostat
- Easy Servicing by Removing Front Panel
- Mounting Flange Welded to Case
- Access to All Internal Parts Without Removal of Unit
- Steel Case with Black Powder Coat Finish



Water Valve Detail



Blower Assembly Detail

### 822-HC & 823-HC MODEL DETAILS

DTAC NO.	SIDE COVER	HEAT	Width
822-LHC	LEFT	1 ROW	6 ROWS
822-RHC	RIGHT	1 ROW	6 ROWS
823-LHC	LEFT	2 ROW	5 ROWS
823-RHC	RIGHT	2 ROW	5 ROWS

BTU'S HEAT	BTU'S COOL	AIR FLOW	HEIGHT	WIDTH	DEPTH	WEIGHT	MOTOR	CURRENT DRAW	DTAC NO.
26,000	26,000	460 CFM	22"	21.4"	7.5"	35 LBS	1-12V	13.5 AMPS @ 13.5 VDC	822-12LHC
"	"	"	"	"	"	"	1-12V	13.5 AMPS @ 13.5 VDC	822-12RHC
"	"	"	"	"	"	"	1-24V	8 AMPS @ 27 VDC	822-24LHC
"	"	"	"	"	"	"	1-24V	8 AMPS @ 27 VDC	822-24RHC
36,000	24,000	"	"	"	"	"	1-12V	13.5 AMPS @ 13.5 VDC	823-12LHC
"	"	"	"	"	"	"	1-12V	13.5 AMPS @ 13.5 VDC	823-12RHC
"	"	"	"	"	"	"	1-24V	8 AMPS @ 27 VDC	823-24LHC
"	"	"	"	"	"	"	1-24V	8 AMPS @ 27 VDC	823-24RHC

EVAPORATORS

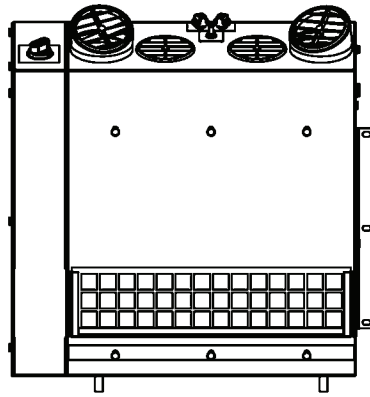


# EVAPORATORS

## 822 & 823 HC Series Continued

Heat/Cool, Wall Mount w/ Water Valve

EVAPORATORS



Left Hand Configuration Shown.

Available in Left and Right Hand Configurations

822-HC & 823-HC Parts List Rev.1				
ITEM	QTY	DTAC NO.	DESCRIPTION	NOTE
1	2	02-16061	3.5 in Louver	
2	2	02-16073	3.5" Angled Louver	
3	1	02-17505	12V Blower Assembly	
		02-17510	24V Blower Assembly	
4	2	03-00165	Knob	
5	1	03-00167	Knob	
6	1	03-13006	Rotary 3-Speed Switch	
7	1	03-13020	Toggle Switch	
8	1	03-14002	Rotary Thermostat	
9	1	04-15004	Block Expansion Valve	
10	2	05-00301	90 Degree Heater Fitting	
11	1	05-04258	Water Valve	
12	2	05-50818	Heater Fitting	
13	1	07-00912	Heat/Cool Coil - 823 Series	
		07-00913	Heat/Cool Coil - 822 Series	
14	6	09-04000	Hose Clamp #6/#8	
15	2	09-50004	#8 MIO Bulkhead w Jam Nut	
16	2	10-00058	5/8" Heater Hose	
17	1	10-80404	Heater Hose 90 Deg	
18	1	12-00801	Wire Harness 800	1
19	1	12-50420	Face Plate - Heat/Cool	
20	1	12-50739	Faceplate	
21	1	12-50740	Decal	
22	1	50-50500	Expansion Valve Mnt Brkt	1
23	2	70-51590	Blower Retainer Bracket	
24	1	80-00007	Lid	
25	1	80-00008	Rear Housing	
26	1	80-00015A	Blower Asm Plate	
27	1	80-00017	Intake Filter, 800,315	
28	1	82-20000	822 Side Cover	
29	1	82-20001	822 Cover Plate	
30	1	82-20004	822 Water Valve Brkt	
31	1	Note 1	Item Not Shown	

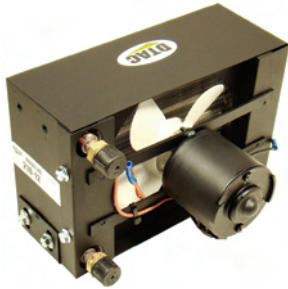




# HEATERS

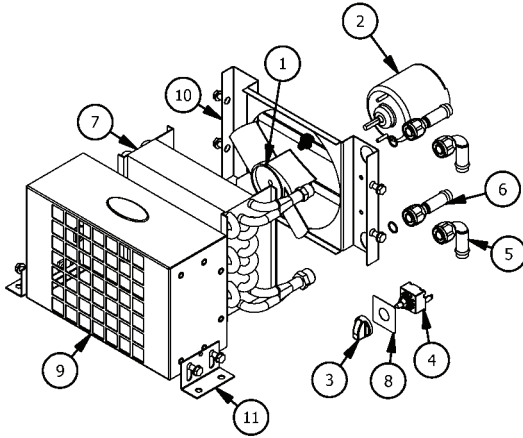
## 210 & 211 Series

Auxiliary Heater

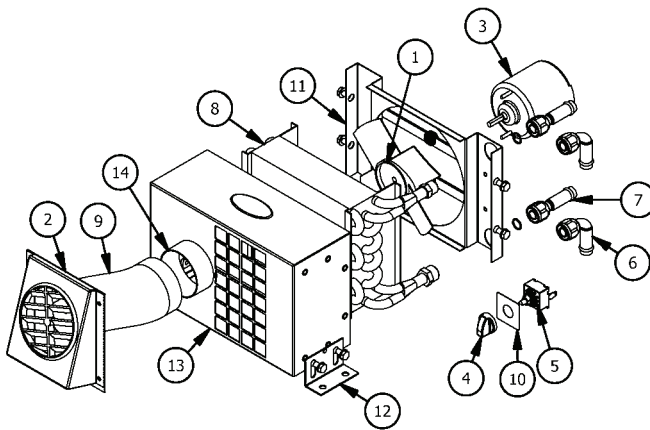


### FEATURES

- Available 12 or 24 Volt
- Two Speed Blower
- Switch, Face Plate & Knob Included
- Steel Case with Black Powder Coat Finish
- Fittings Supplied for Through Firewall or Through Floor Installation
- Duct Hose & Defrost Outlet Supplied (211 Only)



210 PARTS LIST Rev.1			
ITEM	QTY	DTAC NO.	DESCRIPTION
1	1	02-16004	Fan Blade
2	1	02-17035	12V Motor
		02-17135	24V Motor
3	1	03-00165	Knob
4	1	03-13003	Rotary 2-Speed Switch
5	2	05-00301	90 Degree Heater Fitting
6	2	05-50818	Heater Fitting
7	1	07-00210	Heater Coil
8	1	12-50422	Face Plate
9	1	21-00000	Housing
10	1	21-00001	Back Plate
11	2	21-00003	Heater Mounting Bracket



211 PARTS LIST Rev.1			
ITEM	QTY	DTAC NO.	DESCRIPTION
1	1	02-16004	Fan Blade
2	1	02-16069	Louver
3	1	02-17035	12V Motor
		02-17135	24V Motor
4	1	03-00165	Knob
5	1	03-13003	Rotary 2-Speed Switch
6	2	05-00301	90 Degree Heater Fitting
7	2	05-50818	Heater Fitting
8	1	07-00210	Heater Coil
9	3"	10-20026	2.5" Duct Hose
10	1	12-50422	Face Plate
11	1	21-00001	Back Plate
12	2	21-00003	Heater Mounting Bracket
13	1	21-00006	Housing
14	1	40-00877	2.5" Adapter

BTU'S HEAT	AIR FLOW	HEIGHT	WIDTH	DEPTH	WEIGHT	MOTOR	CURRENT DRAW	DTAC NO.
16,000	150 CFM	6.5"	9.75"	7"	6.5 LBS	1-12V	6.6 AMPS @ 13.6 VDC	210-12
"	"	"	"	"	"	1-24V	3.3 AMPS @ 26.8 VDC	210-24
"	"	"	"	"	"	1-12V	6.6 AMPS @ 13.6 VDC	211-12
"	"	"	"	"	"	1-24V	3.3 AMPS @ 26.8 VDC	211-24

HEATERS



# HEATERS

## 215 Series

Auxiliary Heater

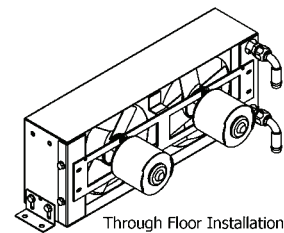
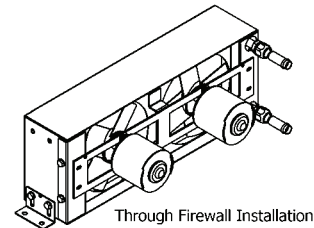
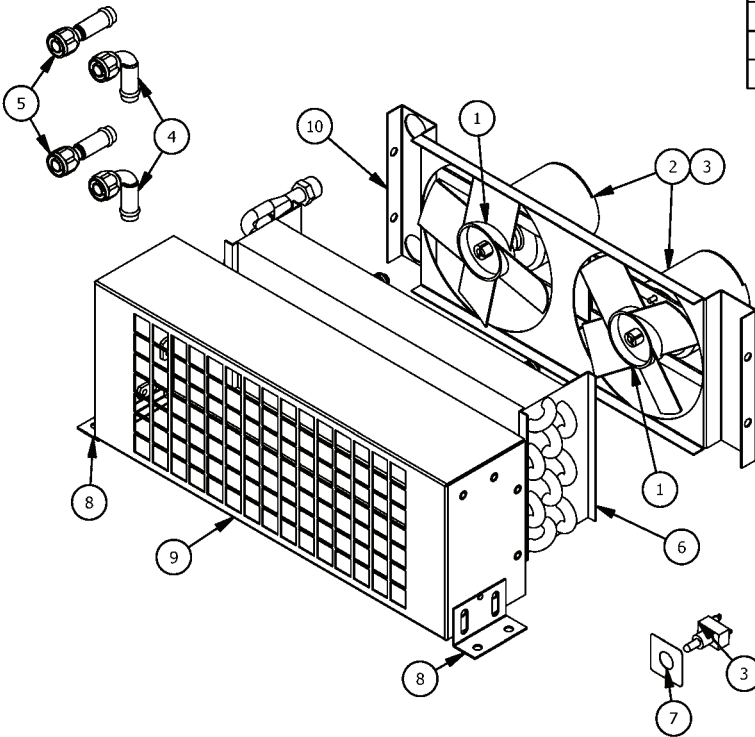


### FEATURES

- Available 12 or 24 Volt
- Single Speed Blower
- Switch, Face Plate & Knob Included
- Steel Case with Black Powder Coat Finish
- Fittings Supplied for Through Firewall or Through Floor Installation

HEATERS

215 PARTS LIST Rev.1			
ITEM	QTY	DTAC NO.	DESCRIPTION
1	2	02-16004	Fan Blade
2	2	02-17035	12V Motor
		02-17135	24V Motor
3	1	03-13020	Toggle Switch
4	2	05-00301	90 Degree Heater Fitting
5	2	05-50818	Heater Fitting
6	1	07-00215	Heater Coil
7	1	12-50422	Face Plate
8	2	21-00003	Heater Mounting Bracket
9	1	21-50000	215 Housing
10	1	21-50001	215 Back Motor Plate



BTU'S HEAT	AIR FLOW	HEIGHT	WIDTH	DEPTH	WEIGHT	MOTOR	CURRENT DRAW	DTAC NO.
30,000	280 CFM	6.5	16.75"	7"	11.5 LBS	2-12V	13.2 AMPS @ 13.6 VDC	215-12
"	"	"	"	"	"	2-24V	6.6 AMPS @ 26.8 VDC	215-24





# HEATERS

## 217 Series

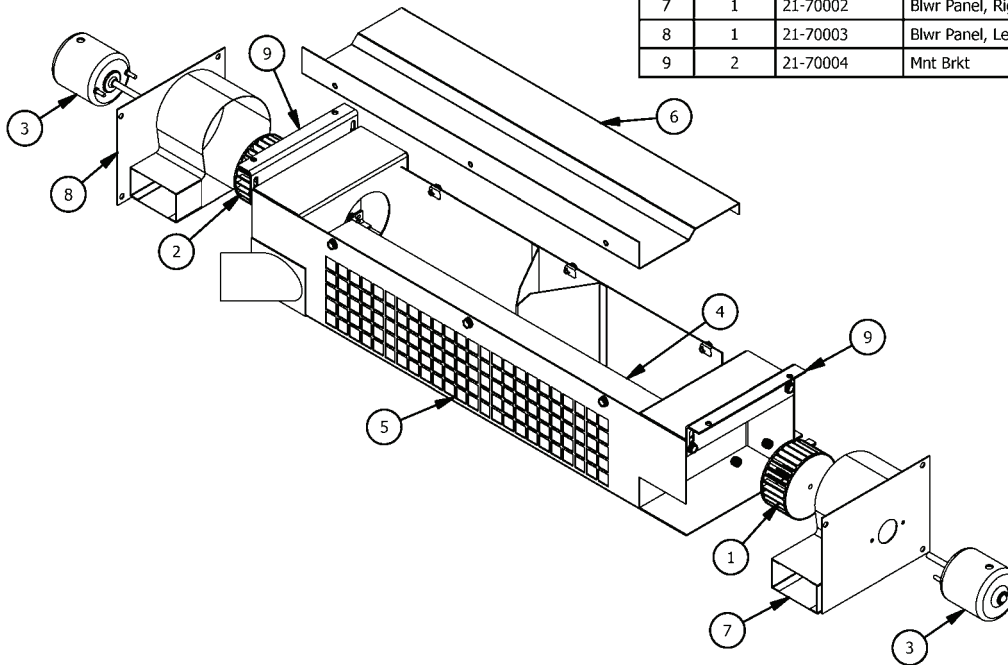
Auxiliary Heater



### FEATURES

- Available 12 or 24 Volt
- Two, 3 Speed Blowers
- Steel Case with Black Powder Coat Finish

217 PARTS LIST Rev.2			
ITEM	QTY	DTAC NO.	DESCRIPTION
1	1	02-01034CCW	Blower Wheel
2	1	02-01034CW	Blower Wheel
3	2	02-18005	12V 3SP Single Shaft Motor
		02-18108	24V 3SP Single Shaft Motor
4	1	07-00034	Heater Core
5	1	21-70000	Housing
6	1	21-70001	Cover
7	1	21-70002	Blwr Panel, Right
8	1	21-70003	Blwr Panel, Left
9	2	21-70004	Mnt Brkt



BTU'S HEAT	AIR FLOW	HEIGHT	WIDTH	DEPTH	WEIGHT	MOTOR	CURRENT DRAW	DTAC NO.
52,000	290 CFM	7"	39"	8"	30 LBS	2-12V	30 AMPS @ 13.5 VDC	217-12
"	"	"	"	"	"	2-24V	15 AMPS @ 26.8 VDC	217-24

HEATERS



# PRESSURIZERS

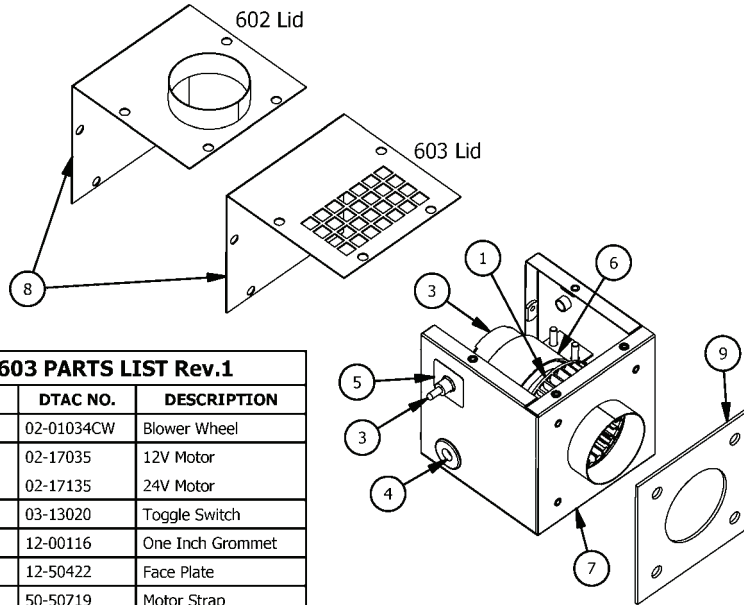
## 602 & 603 Series

Pressurizer



### FEATURES

- Available 12 or 24 Volt
- Steel Case with Black Powder Coat Finish



602 & 603 PARTS LIST Rev.1			
ITEM	QTY	DTAC NO.	DESCRIPTION
1	1	02-01034CW	Blower Wheel
2	1	02-17035 02-17135	12V Motor 24V Motor
3	1	03-13020	Toggle Switch
4	1	12-00116	One Inch Grommet
5	1	12-50422	Face Plate
6	1	50-50719	Motor Strap
7	1	60-30000	603 Housing
8	1	60-30001 60-30002	603 Lid 602 Lid
9	1	80-80006	Insulation, 808

TYPE	AIR FLOW	HEIGHT	WIDTH	DEPTH	WEIGHT	MOTOR	CURRENT DRAW	DTAC NO.
INLINE	190 CFM	6"	6"	6"	5 LBS	12V	6.6 AMPS @ 13.5 VDC	602-12
"	"	"	"	"	"	24V	3.3 AMPS @ 26.8 VDC	602-24
STAND ALONE	"	"	"	"	"	12V	6.6 AMPS @ 13.5 VDC	603-12
"	"	"	"	"	"	24V	3.3 AMPS @ 26.8 VDC	603-24

PRESSURIZERS



# REMOTE CONDENSERS

## 34002 Series

Remote Mount Condenser



07-34002

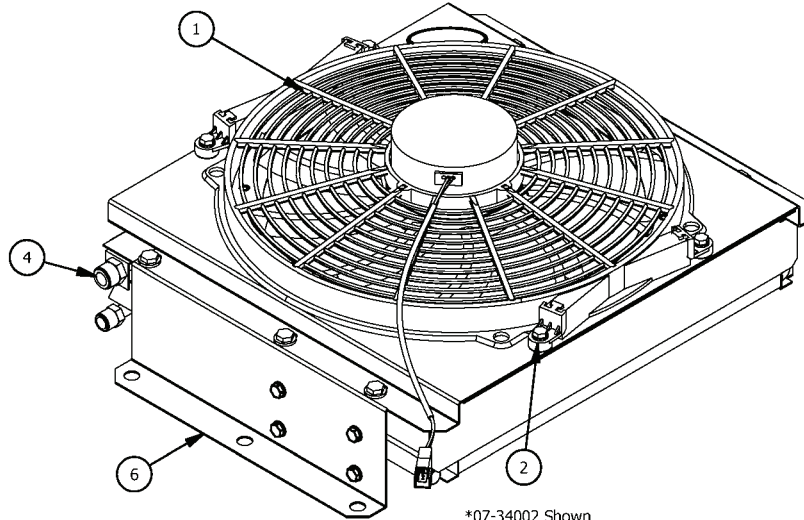
### FEATURES

- Available 12 or 24 Volt
- Water Resistant Motor
- Gray Powder Coat Finish



07-34002-HP

\*High Performance/High Profile Motor



\*07-34002 Shown

07-34002 PARTS LIST Rev.2				
ITEM	QTY	PART NUMBER	DESCRIPTION	NOTE
1	1	02-4014S	12V 14" Fan Asm	
		02-4014S-24	24V 14" Fan Asm	
2	4	02-50025	Mount Leg	
3	1	03-01702	12V Relay	1
		03-01704	24V Relay	
4	1	07-00342	Coil	
5	1	12-00098	Wire Harness	1
6	1	34-20000	Housing	
7		Note 1	Not Shown	

07-34002-HP PARTS LIST Rev.1				
ITEM	QTY	PART NUMBER	DESCRIPTION	NOTE
1	1	02-4012S	12V 12" Fan Asm, HP	
		02-4012S-24	24V 12" Fan Asm, HP	
2	4	02-50025	Mount Leg	
3	1	03-01702	12V Relay	1
		03-01704	24V Relay	
4	1	07-00342	Coil	
5	1	12-00098	Wire Harness	1
6	1	34-20000	Housing	
7		Note 1	Not Shown	

BTU'S COOL	AIR FLOW	HEIGHT	WIDTH	DEPTH	WEIGHT	MOTOR	CURRENT DRAW	DTAC NO.
35,000	1050 CFM	7.3"	17.5"	15.5"	18.5 LBS	1-12V	10.5 AMPS @ 13.6 VDC	07-34002-12
"	1500 CFM	8.3"	"	"	"	"	15.9 AMPS @ 13.6 VDC	07-34002-12HP
"	1050 CFM	7.3"	"	"	"	1-24V	5.3 AMPS @ 26.8 VDC	07-34002-24
"	1500 CFM	8.3"	"	"	"	"	9.5 AMPS @ 26.8 VDC	07-34002-24HP

REMOTE CONDENSERS



# REMOTE CONDENSERS

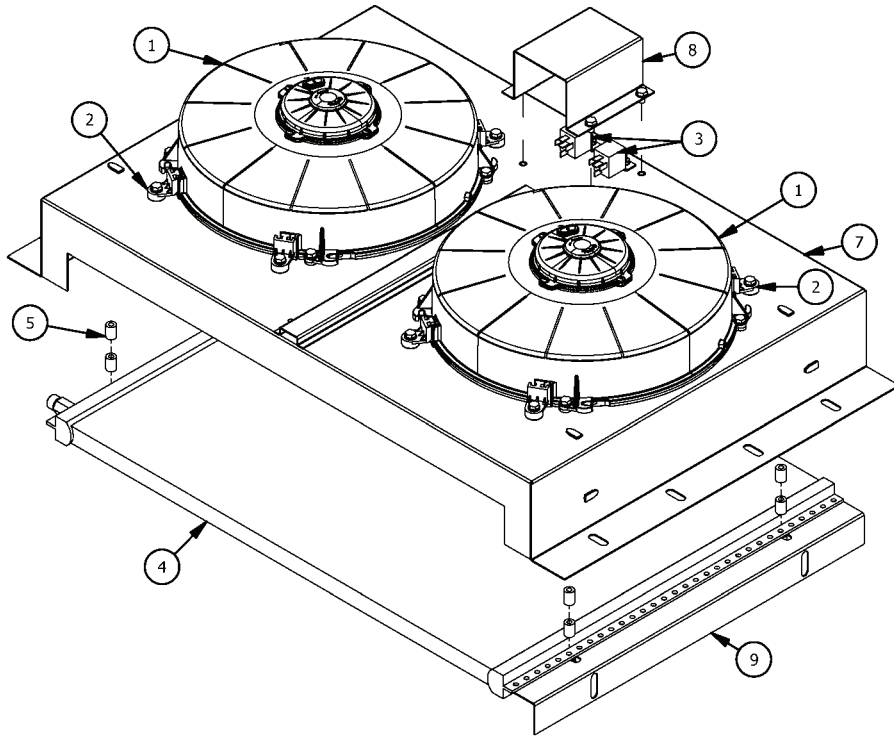
## 34006 Series

Remote Mount Condenser



### FEATURES

- Available in 12 Volt Only
- Dual 12" Low Profile Fans
- Water Resistant Motors
- Steel Case with Grey Powder Coat Finish



07-34006 SERIES PARTS LIST Rev.1					07-34006 SERIES PARTS LIST Rev.1				
ITEM	QTY	DTAC NO.	DESCRIPTION	NOTE	ITEM	QTY	DTAC NO.	DESCRIPTION	NOTE
1	2	02-4012S	12V 12" Fan Assembly		6	1	12-00346	Wire Harness	1
		02-4012S-24	24V 12" Fan Assembly		7	1	34-60000	Housing	
2	8	02-50025	Mount Leg		8	1	34-60001	Relay cover	
3	2	03-01702	12V Relay		9	1	34-60002	Air Dam Bracket	
		03-01704	24V Relay		10		Note 1	Part Not Shown	
4	1	07-01466	Condenser						
5	8	12-00071	Spacer, 1/4" x 5/8"						

BTU'S COOL	AIR FLOW	HEIGHT	WIDTH	DEPTH	WEIGHT	MOTOR	CURRENT DRAW	DTAC NO.
40,000	1400 CFM	7.75"	30"	19.75"	36 LBS	2-12V	32.2 AMPS @ 13 VDC	07-34006-12
"	"	"	"	"	"	2-24V	18 AMPS @ 26.8 VDC	07-34006-24

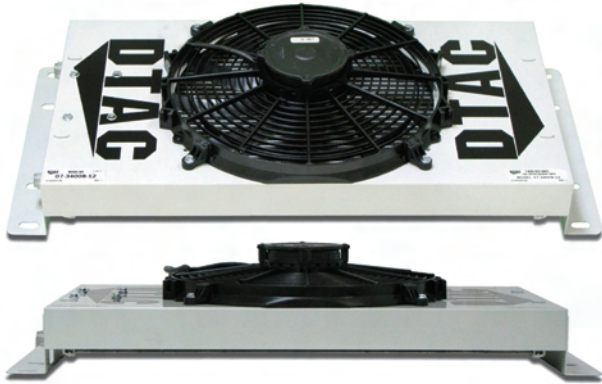
REMOTE CONDENSERS



# REMOTE CONDENSERS

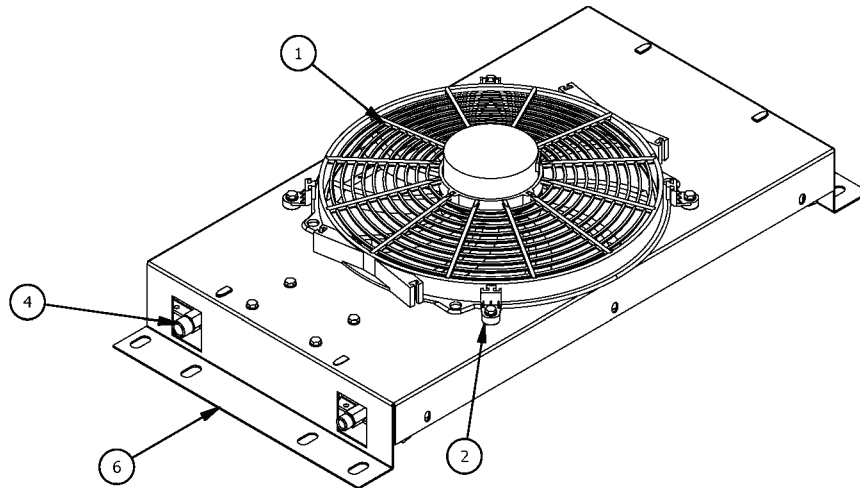
## 34008 & 34010 Series

Remote Mount Condenser



### FEATURES

- Available 12 or 24 Volt
- 14" Low Profile Fan (07-34008)
- 11" Low Profile Fan (07-34010)
- Water Resistant Motors
- Steel Case with Black Powder Coat Finish



07-34008 PARTS LIST Rev.1				
ITEM	QTY	PART NUMBER	DESCRIPTION	NOTE
1	1	02-4014S	12V 14" Fan Asm	
		02-4014S-24	24V 14" Fan Asm	
2	4	02-50025	Mount Leg	
3	1	03-01702	12V Relay	1
		03-01704	24V Relay	
4	1	07-01438	Condenser Coil	
5	1	12-00098	Wire Harness	1
6	1	34-00008	Housing, 34008	
7		Note 1	Not Shown	

07-34010 PARTS LIST Rev.1				
ITEM	QTY	DTAC NO.	DESCRIPTION	NOTE
1	1	02-4011S	12V 11" Fan Asm	
		02-4011S-24	24V 11" Fan Asm	
2	4	02-50025	Mount Leg	
3	1	03-01702	12V Relay	1
		03-01704	24V Relay	
4	1	07-01490	Condenser Coil	
5	1	12-00098	Wire Harness	1
6	1	34-00010	Housing, 34010	
7		Note 1	Not Shown	

BTU'S COOL	AIR FLOW	HEIGHT	WIDTH	DEPTH	WEIGHT	MOTOR	CURRENT DRAW	DTAC NO.
35,000	790 CFM	6.12"	30.5"	14.75"	27 LBS	1-12V	8.7 AMPS @ 13.6 VDC	07-34008-12
"	"	"	"	"	"	1-24V	5.3 AMPS @ 26.8 VDC	07-34008-24
25,000	690 CFM	5"	"	"	"	1-12V	8.2 AMPS @ 13.6 VDC	07-34010-12
"	"	"	"	"	"	1-24V	5 AMPS @ 26.8 VDC	07-34010-24

REMOTE CONDENSERS





# REMOTE CONDENSERS

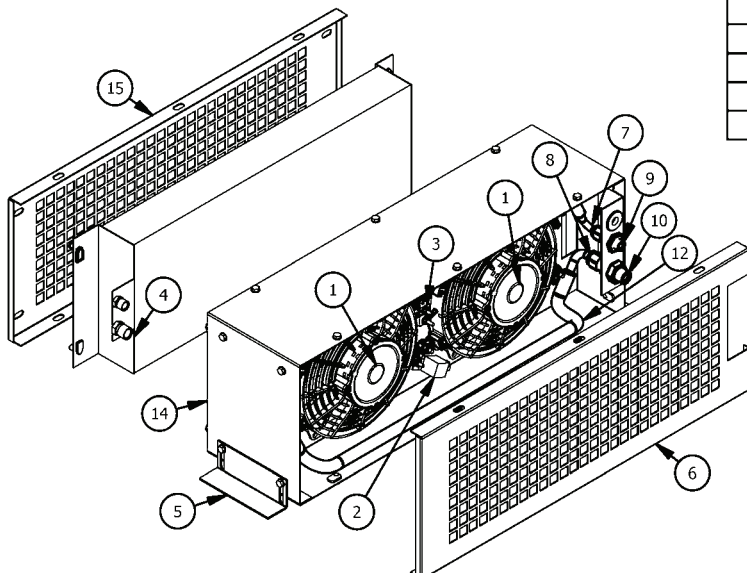
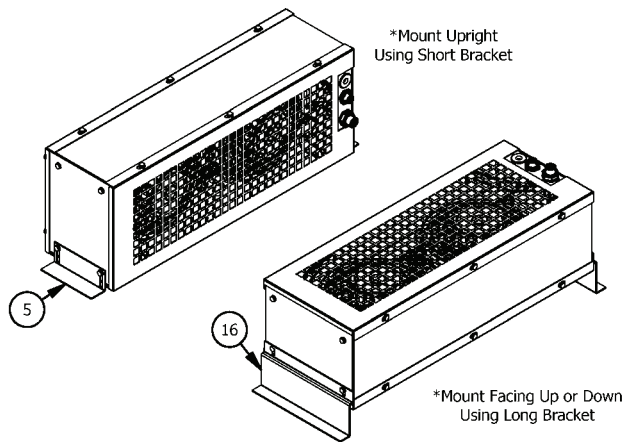
## 35002 Series

Remote Mount Condenser



### FEATURES

- Available 12 or 24 Volt
- Can Be Used as a Puller or Pusher Fan
- Two 9" High Capacity Fan Assemblies
- Can Be Mounted at Any Angle Imaginable:
  - Upright
  - Facing Down
  - Facing Up
- Steel Case with Gray Powder Coat Finish



07-35002 PARTS LIST Rev.1				
ITEM	QTY	DTAC NO.	DESCRIPTION	NOTE
1	2	02-4009S 02-4009S-24	12V 9" Fan Assembly 24V 9" Fan Assembly	
2	1	03-01702 03-01704	12V Relay 24V Relay	
3	1	03-13028	30A Circuit Breaker	
4	1	07-35001	Condenser Coil	
5	2	07-35006	Short Mnt Brkt	
6	1	07-35009	Front Cover	
7	2	09-01321SR	#6 90 Deg. FO Red.	
8	2	09-01322SR	#8 90 Deg. FO Red.	
9	1	09-50003	#6 MIO Bulkhead	
10	1	09-50004	#8 MIO Bulkhead	
11	3'	10-18116	#6 Reduced Hose	1
12	3'	10-18118	#8 Reduced Hose	
13	1	12-00095	Relay Plug Harness	1
14	1	35-35000	Cond. Case	
15	1	35-35001	Back Cover	
16	2	35-35002	Long Mnt Brkt	
17		Note 1	Not Shown	

External Wiring	
Wire	Description
Bl/White	Condenser Fan Activator
Red	Power In

Internal Wiring of Condenser Relay	
Relay Pin	Wire
30	Black from Fan Motor
87	Red to Aux. Side of Circuit Breaker
86	Bl/White Cond. Fan Activator
85	Blue from Fan Motor & Jumper to Ground

BTU'S COOL	AIR FLOW	HEIGHT	WIDTH	DEPTH	WEIGHT	MOTOR	CURRENT DRAW	DTAC NO.
35,000	975 CFM	9.75"	26.5"	7.5"	27 LBS	2-12V	10.5 AMPS @ 13.6 VDC	07-35002-12
"	"	"	"	"	"	2-24V	5.3 AMPS @ 26.8 VDC	07-35002-24

REMOTE CONDENSERS



# REMOTE CONDENSERS

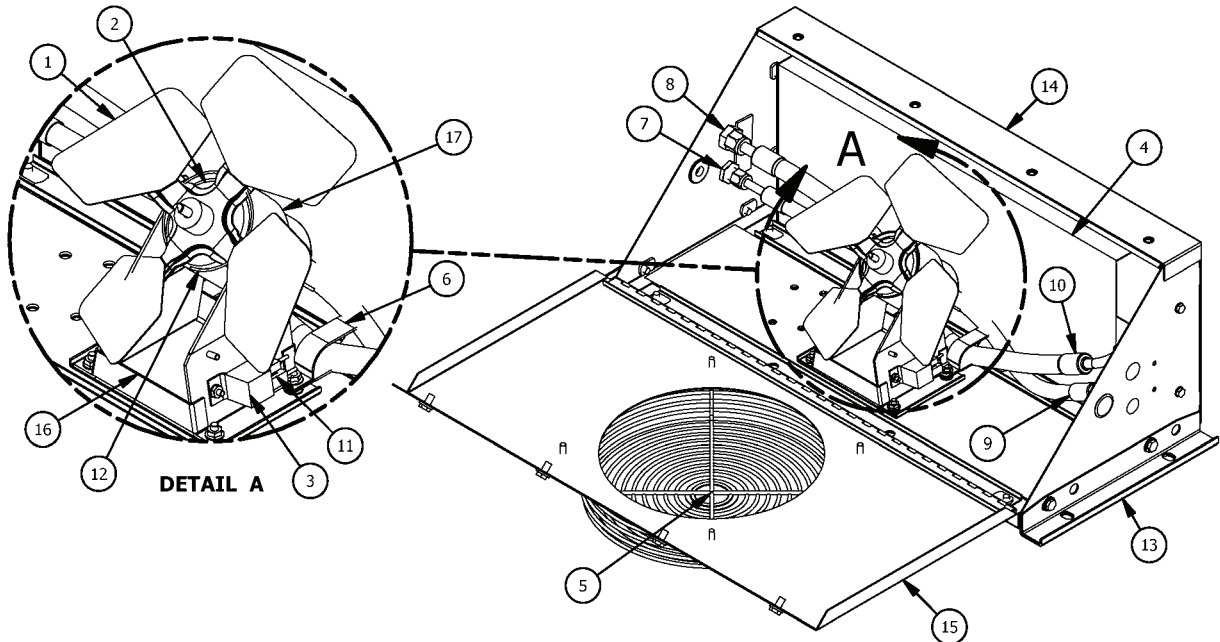
## 36001 Series

Remote Mount Condenser



### FEATURES

- Available 12 or 24 Volt
- Single Speed Motor
- One 10" Steel 4 Bladed Fan
- Steel Case with Gray Powder Coat Finish



07-36001 PARTS LIST Rev.1				07-36001 PARTS LIST Rev.1			
ITEM	QTY	DTAC NO.	DESCRIPTION	ITEM	QTY	DTAC NO.	DESCRIPTION
1	1	02-16008	Fan Blade	10	1	10-36008	#8 Hose Assy.
2	1	02-48005	12V Cond. Motor	11	1	12-00095	Relay Plug Harness
		02-48105	24V Cond. Motor	12	1	12-00130	Top Motor Mount
3	1	03-01702	12V Relay	13	2	36-36003	Mounting Brkt, 36000
		03-01704	24V Relay	14	1	36-36004	Bottom Housing 36000
4	1	07-35001	Condenser Coil	15	1	36-36005	Housing, Lid 36000
5	1	07-36008	Grille	16	1	36-36008	Motor Mount Base
6	2	09-04004	Double Hose Clamp- Steel	17	1	40-00005	Top Motor Mount
7	1	09-50003	#6 MIO Bulkhead w Jam Nut				
8	1	09-50004	#8 MIO Bulkhead w Jam Nut				
9	1	10-36006	#6 Hose Assy.				

BTU'S COOL	AIR FLOW	HEIGHT	WIDTH	DEPTH	WEIGHT	MOTOR	CURRENT DRAW	DTAC NO.
33,000	740 CFM	12.15"	29.5"	13.63"	42 LBS	1-12V	12.6 AMPS @ 13.6 VDC	07-36001-12
"	"	"	"	"	"	1-24V	6.4 AMPS @ 26.8 VDC	07-36001-24

REMOTE CONDENSERS





# REMOTE CONDENSERS

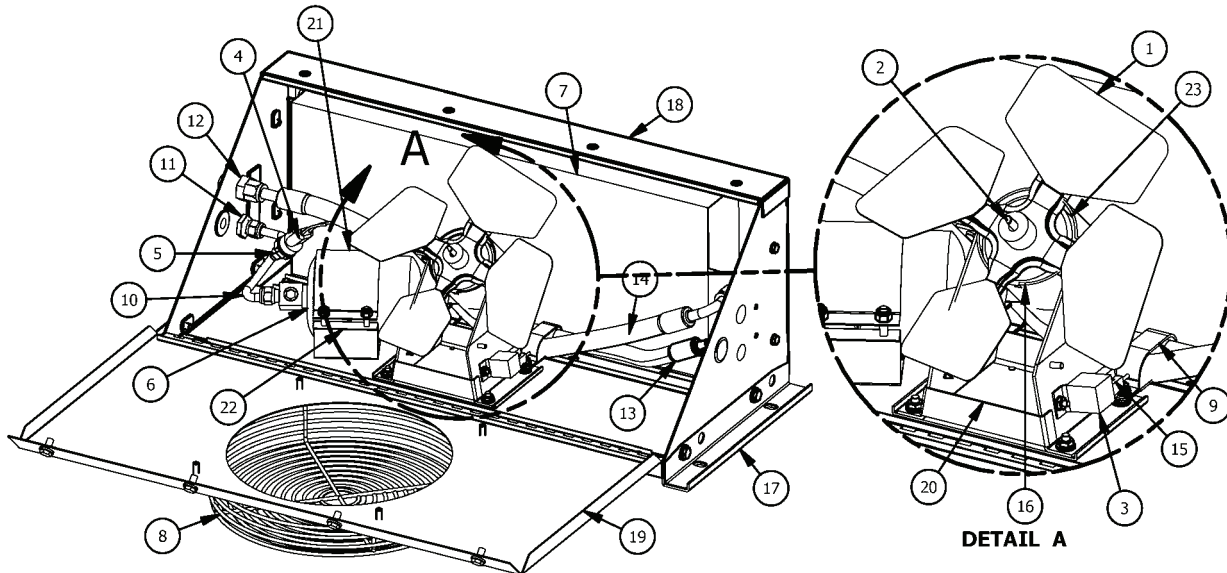
## 36002 Series

Remote Mount Condenser with Drier



### FEATURES

- Available 12 or 24 Volt
- Built in Receiver Drier with Pressure Switch
- Single Speed Motor
- One 10" Steel 4 Bladed Fan
- Steel Case with Gray Powder Coat Finish



07-36002 PARTS LIST Rev.1					07-36002 PARTS LIST Rev.1				
ITEM	QTY	DTAC NO.	DESCRIPTION	NOTES	ITEM	QTY	DTAC NO.	DESCRIPTION	NOTES
1	1	02-16008	Fan Blade		13	1	10-36007	#6 Hose Assy	
2	1	02-48005	12V Cond. Motor		14	1	10-36008	#8 Hose Assy.	
		02-48105	24V Cond. Motor		15	1	12-00095	Wire Harness	
3	1	03-01702	12V Relay		16	1	12-00130	Motor Mount Brkt	
		03-01704	24V Relay		17	2	36-36003	Mounting Brkt, 36000	
4	1	03-13036	Binary Boot		18	1	36-36004	Bottom Housing 36000	
5	1	03-34070	Binary Pressure Switch		19	1	36-36005	Housing, Lid 36000	
6	1	06-12040	Rec. Drier		20	1	36-36008	Motor Mount Base	
7	1	07-35001	Condenser Coil		21	1	36-36009	Drier Brkt Top	
8	1	07-36008	Grille		22	1	36-36011	Drier Brkt Base	
9	2	09-04004	Double Hose Clamp		23	1	40-00005	Motor Mount Brkt	
10	1	09-37595	Drier Outlet Fitting						
11	1	09-50003	#6 Bulkhead w Jam Nut						
12	1	09-50004	#8 Bulkhead w Jam Nut						

BTU'S COOL	AIR FLOW	HEIGHT	WIDTH	DEPTH	WEIGHT	MOTOR	CURRENT DRAW	DTAC NO.
33,000	740 CFM	12.15"	29.5"	13.63"	44 LBS	1-12V	12.6 AMPS @ 13.6 VDC	07-36002-12
"	"	"	"	"	"	1-24V	6.4 AMPS @ 26.8 VDC	07-36002-24

REMOTE CONDENSERS



# REMOTE CONDENSERS

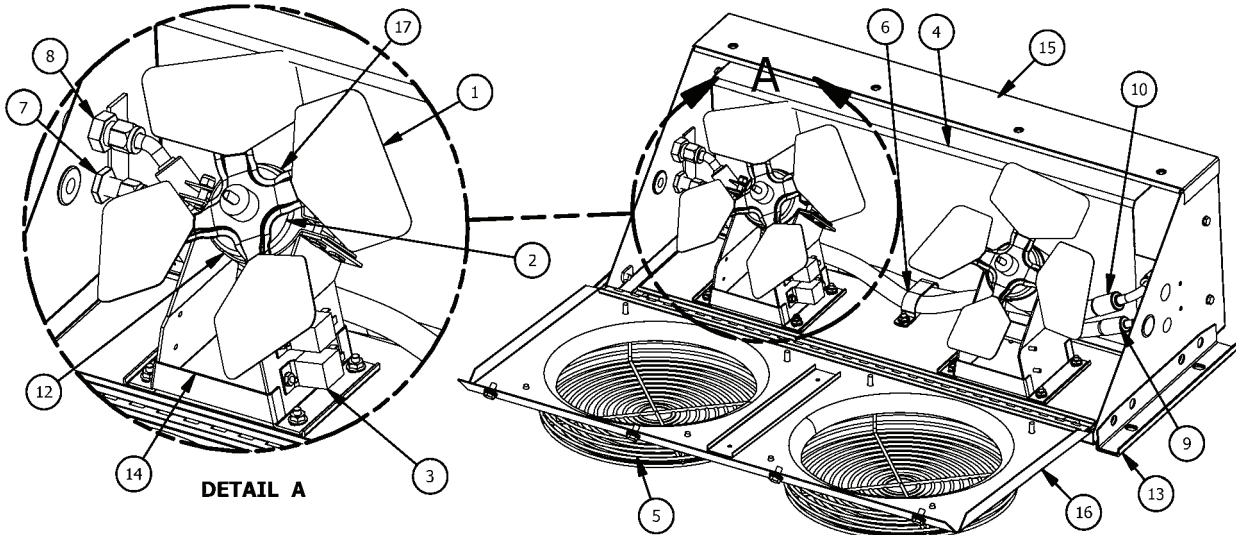
## 36005 Series

Remote Mount Condenser



### FEATURES

- Available 12 or 24 Volt
- Dual Single Speed Motors
- Dual 10" Steel 4 Bladed Fans
- Steel Case with Gray Powder Coat Finish



07-36005 PARTS LIST Rev.3					07-36005 PARTS LIST Rev.3				
ITEM	QTY	DTAC NO.	DESCRIPTION	NOTE	ITEM	QTY	DTAC NO.	DESCRIPTION	NOTE
1	2	02-16008	Fan Blade		10	1	10-36508	#8 Hose Assy.	
2	2	02-48005	12V Cond. Motor		11	1	12-00086	Wire Harness	1
		02-48105	24V Cond. Motor		12	2	12-00130	Motor Mount Brkt	
3	2	03-01702	12V Relay		13	2	36-36003	Mounting Brkt	
		03-01704	24V Relay		14	2	36-36008	Motor Mount Base	
4	1	07-36005	Condenser Coil, 36005		15	1	36-50000	BTM Housing	
5	2	07-36008	Grille		16	1	36-50001	Lid Assembly	
6	1	09-04004	Double Hose Clamp		17	2	40-00005	Motor Mount Brkt	
7	1	09-50003	#6 Bulkhead w Jam Nut		18		NOTE 1	Item Not Shown	
8	1	09-50004	#8 Bulkhead w Jam Nut						
9	1	10-36506	#6 Hose Assy.						

BTU'S COOL	AIR FLOW	HEIGHT	WIDTH	DEPTH	WEIGHT	MOTOR	CURRENT DRAW	DTAC NO.
44,500	1440 CFM	11.75"	32.5"	13.5"	61 LBS	2-12V	25.4 AMPS @ 13.6 VDC	07-36005-12
"	"	"	"	"	"	2-24V	12.8 AMPS @ 26.8 VDC	07-36005-24

REMOTE CONDENSERS



# REMOTE CONDENSERS

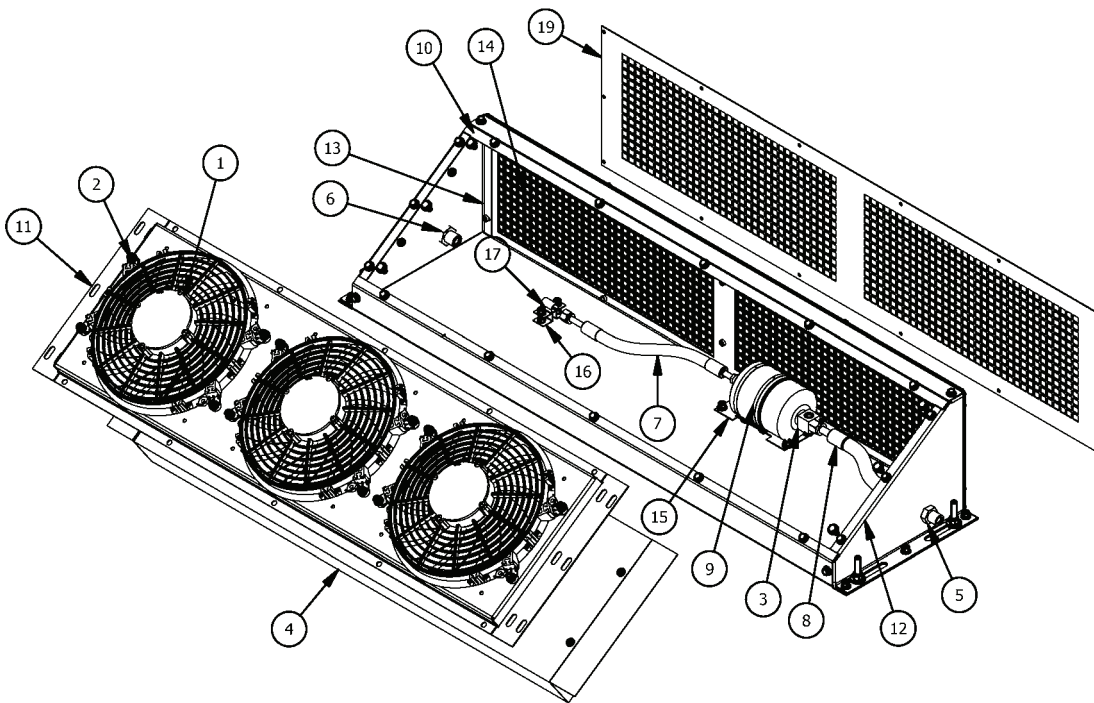
## 78000 Series

Remote Skirt Mount Condenser



### FEATURES

- Available 12 or 24 Volt
- Two Grille Options: Small Bolt On (07-78000) or Large Through Body (07-78001)
- 5 Row Multi-Flow Condenser Coil
- High Capacity Water Resistant Motors
- High Capacity Receiver Drier
- Total Serviceability – No Pop Rivets to Drill Out When Servicing
- Light Weight Aluminum Construction with Stainless Steel Nuts & Bolts



78000 SERIES PARTS LIST Rev.1					78000 SERIES PARTS LIST Rev.1				
ITEM	QTY	PART NUMBER	DESCRIPTION	NOTE	ITEM	QTY	PART NUMBER	DESCRIPTION	NOTE
1	3	02-4011S	12V 11" Fan Asm		11	1	78-00001	Lid	
		02-4011S-24	24V 11" Fan Asm		12	1	78-00002	Right Panel	
2	12	02-50025	Mount Leg		13	1	78-00003	Left Panel	
3	1	06-12040	Drier		14	1	78-00004	Grille, SM Bolt On	1
4	1	07-78001	Cond Coil		15	1	78-00005	Drier Brkt	
5	1	09-50004	#8 MIO Bulkhead		16	1	78-00006	Hold Down Brkt	
6	1	09-50005	#10 MIO Bulkhead		17	1	78-00007	Tube Hold Down Brkt	
7	1	10-78006	#6 Hose Asm		18	1	78-00008	Grille, LG Through Body	2
8	1	10-78008	#8 Hose Asm		19		Note 1	07-78000 Only	
9	2	12-60064	4" Clamp		20		Note 2	07-78001 Only	
10	1	78-00000	Btm Housing						

BTU'S COOL	AIR FLOW	HEIGHT	WIDTH	DEPTH	WEIGHT	MOTOR	CURRENT DRAW	DTAC NO.
55,000-78,000	2300 CFM	11.25"	48.63"	12.63"	65 LBS	3-12V	24 AMPS	07-78000-12
"	"	"	"	"	"	3-24V	12 AMPS	07-78000-24
"	"	"	"	"	"	3-12V	24 AMPS	07-78001-12
"	"	"	"	"	"	3-24V	12 AMPS	07-78001-24

REMOTE CONDENSERS



# ELECTRIC DRIVEN COMPRESSORS

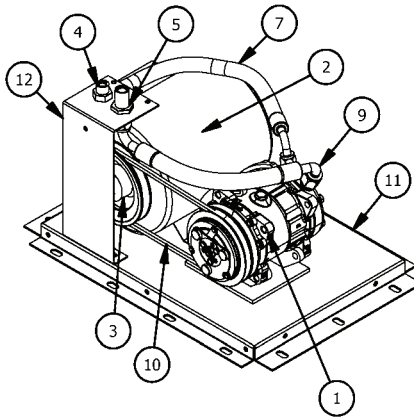
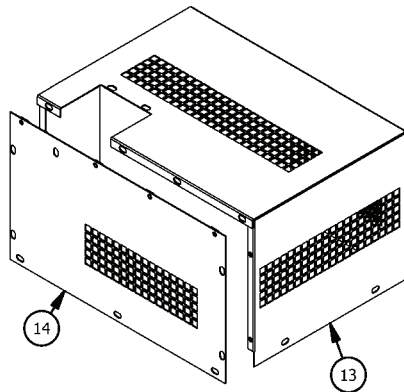
## 220 Series

Electric Driven Compressor



### FEATURES

- Industrial Strength 3 Phase A/C Electric Motor
- Available in 50 & 60 Hz
- Ideal When an Engine Driven Compressor is Not an Option



220 SERIES PARTS LIST Rev.1			
ITEM	QTY	DTAC NO.	DESCRIPTION
1	1	01-05664 01-05271	12V Compressor 24V Compressor
2	1	02-04403 02-04406	Electric Motor 3HP, 208-230/460V AC 60hz Electric Motor 3HP, 208-230/460V AC 50hz (SP Model)
3	1	02-04404	Pulley
4	1	09-50004	#8 MIO Bulkhead w Jam Nut
5	1	09-50005	#10 MIO Bulkhead w Jam Nut
7	1	10-22008	#8 Hose Assembly
9	1	10-22010	#10 Hose Assembly
10	1	12-22036	Belt
11	1	22-00000	Base
12	1	22-00002	Bulkhead Plate
13	1	22-00003	Front Cover
14	1	22-00004	Rear Cover

ELECTRIC MOTOR				COMPRESSOR		DTAC NO.
HP	VOLTS	AMPS	HZ	CLUTCH VOLTS		
3	208-230/460	8.3-8.2/4.1	60	12V		220-12
"	"	"	"	24V		220-24
"	220/380/440	7.8/4.4/3.9	50	"		220-24SP

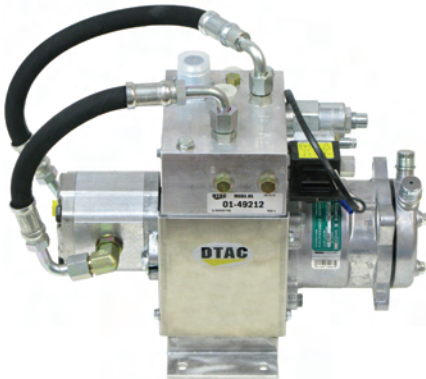
ELECTRIC DRIVEN COMPRESSORS



# HYDRAULIC COMPRESSORS

## 01-49200 Series

Hydraulic Driven Compressor

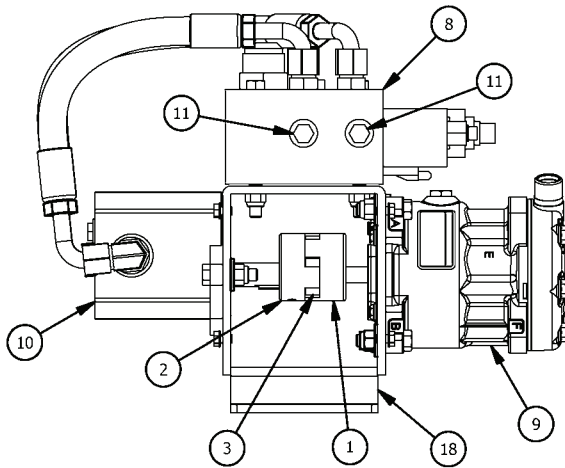


### FEATURES

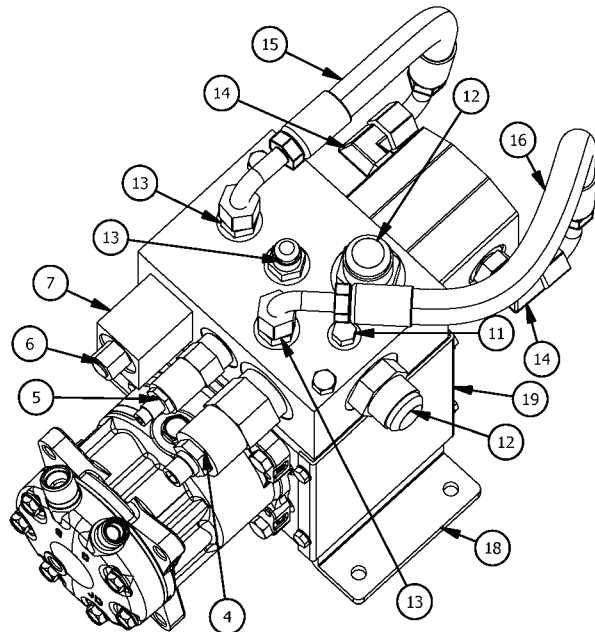
- Available 12 or 24 Volt Water
- Complete Assembly with Fluid Controls & Solenoid Valve

### NOTE

- Dimensions Include Fluid Controls & Solenoid Valve Completely Plumbed to Sanden Compressor, Hydraulic Gear Pump & Mounting Bracket



View with Side Covers Removed



01-49200 SERIES PARTS LIST Rev.1					01-49200 SERIES PARTS LIST Rev.1				
ITEM	QTY	DTAC NO.	DESCRIPTION	NOTE	ITEM	QTY	DTAC NO.	DESCRIPTION	NOTE
1	1	01-10768	Coupler, Spec 7/16		11	3	09-200242	SAE #4 Ftg	
2	1	01-10770	Coupler 5/8 x 3/16		12	2	09-64001616	Hyd Fitting	
3	1	01-11070	NBR Spider Coupler		13	3	09-640088	Hyd Fitting	
4	1	01-49001	Pr. Flow Reg Cart		14	2	09-6801810	90 Deg Hyd Fit	
5	1	01-49002	Relief Vlv Cart		15	1	10-49000	Hyd Hose, Outlet	
6	1	01-49003	2 Way Vlv Cart.		16	1	10-49001	Hyd Hose, Inlet	
7	1	01-49012	12V Vickers Coil		17	1	12-00491	Wire Harness	1
		01-49024	24V Vickers Coil		18	1	75-00003	Aluminum Hyd.Brkt	
8	1	01-49194	Hyd Manifold		19	2	75-00004	Cover Plate	
9	1	01-55093	Sanden w/o Clutch		20		Note 1	Not Shown	
10	1	02-40004	Hydraulic Motor						

MINIMUM GPM	MAXIMUM GPM	OPERATING PSI	HEIGHT	WIDTH	LENGTH	WEIGHT	COIL VOLT	DTAC NO.
5-8	40	1300	15"	14"	17.5"	42 LBS	12V	01-49212
"	"	"	"	"	"	"	24V	01-49224

HYDRAULIC COMPRESSORS



# Table of Contents

## Alphabetized Listing

<b>0</b>				
	01-49200 Series	128		
<b>1</b>				
	11-52104	86		
	11-52105	87		
	11-52108	87		
	11-52113	86		
	11-53906	87		
	11-53910	88		
	134a RETROFIT SPLICERS	75		
	141 Series	90		
<b>2</b>				
	210 & 211 Series	115		
	215 Series	116		
	217 Series	117		
	220 Series	127		
<b>3</b>				
	300 Series	91		
	301 Series	92		
	305 Series	93		
	310 Series	94		
	315-C Series	95		
	315-CR Series	96		
	315-HC Series	97		
	315-HCR Series	98		
	331 Series	99		
	34002 Series	119		
	34006 Series	120		
	34008 & 34010 Series	121		
	35002 Series	122		
	36001 Series	123		
	36002 Series	124		
	36005 Series	125		
<b>4</b>				
	402 Series	100		
	403 Series	101		
	410-AL1	28		
	410-AL4	28		
	420-AP2	28		
	430 Series	102		
	431 Series	103		
<b>5</b>				
	500-C Series	104		
	500-HC Series	105		
	502 Series	106		
	505-HC Series	107		
<b>6</b>				
	602 & 603 Series	118		
<b>7</b>				
	701 Series	108		
	702 Series	109		
	707 Series	110		
	75R6040	24		
	78000 Series	126		
<b>8</b>				
	800 Series	111		
	800-C & HC Series	112		
	822 & 823 HC Series Continued	114		
	822 & 823 Series HC Series	113		
<b>A</b>				
	A/C FLUSH	64		
	ACCUMULATORS		50	
	ADAPTER FITTINGS		75	
	AIR SENSING SWITCHES		38	
	AIR SOLENOID SWITCHES		38	
	AUXILIARY DASH FAN		29	
	AUXILIARY HEATERS		115-117	
<b>B</b>				
	BEADLOCK FITTINGS		66-71	
	BINARY PRESSURE SWITCHES		36	
	BLOCK TYPE EXPANSION VALVES		42	
	BLOWER ASSEMBLIES		30	
	BLOWER WHEELS		26	
	BLOWER WHEELS & FAN BLADES		26	
	BULKHEAD FITTINGS		75	
<b>C</b>				
	CABLE CONTROLLED THERMOSTATS		40	
	CABLE OPERATED WATER VALVES		47	
	CAPS		23	
	CATERPILLER COMPRESSOR FITTINGS		20	
	CHARGING HOSES		81	
	CIRUIT BREAKERS		38	
	COIL MEASUREMENT GUIDE		59	
	COILS		58-62	
	COMPRESSION FITTING, 90°		70	
	COMPRESSION FITTING, STRAIGHT		70	
	COMPRESSION FITTING, STRAIGHT BARB		74	
	COMPRESSOR ADAPTERS		20	
	COMPRESSOR CLUTCHES		18-19	
	COMPRESSOR FITTINGS & ADAPTERS		20-21	
	COMPRESSOR MANIFOLDS		22	
	COMPRESSOR MOUNTING OPTIONS		8	
	COMPRESSOR PARTS & ACCESSORIES		23-24	
	COMPRESSOR PHOTOS		13-17	
	COMPRESSORS		8	
	CONDENSER MOUNTING BRACKETS		58	
	CRIMPING TOOLS		80	
	CYCLING SWITCHES		38	
<b>D</b>				
	DIRECT MOUNT HOLE SPACING CHART		8	
	DOUBLE SHAFT MOTORS		31	
	DRAIN HOSE		78	
	DRAIN HOSE FITTINGS		78	
	DRIER ADAPTERS		50	
	DRIER BRACKETS		50	
	DRIER FITTINGS		50	
	DTAC REPLACEMENT CONDENSER COILS		59	
	DTAC REPLACEMENT EVAPORATOR COILS		60-62	
	DTAC REPLACEMENT HEATER COILS		62	
	DUCT HOSE		78	
	DUCT HOSE CONNECTORS		27	
<b>E</b>				
	ELECTRIC DRIVEN COMPRESSORS		127	
	ELECTRICALLY OPERATED WATER VALVES		48	
	ELECTRONIC SCALES		80	
	ESTER OIL		64	
	EVAPORATOR REPAIR FITTING		76	
	EVAPORATORS		90-114	
	EXPANSION TUBES		43	
	EXPANSION VALVES		42-43	
	EXTERNALLY EQUALIZED EXPANSION VALVES		42	
<b>F</b>				
	FACE PLATES		35	

# Table of Contents

## Alphabetized Listing

<b>F</b>		MANUALLY OPERATED WATER VALVES	48
FAN BLADES	26	MISCELLANEOUS ACCESSORIES	82-83
FEMALE FLARE TO MALE O-RING	75	MOTOR & FAN ASSEMBLIES	29-32
FEMALE FLARE, 45°	66	<b>N</b>	
FEMALE FLARE, 90°	66	NEW GM S6 COMPRESSORS	10
FEMALE FLARE, 90° BARB	72	NIPPONDENSO CLUTCHES	18
FEMALE FLARE, STRAIGHT	66	NIPPONDENSO COMPRESSOR MANIFOLDS	22
FEMALE FLARE, STRAIGHT BARB	72	NIPPONDESO AFTERMARKET COMPRESSORS	10
FEMALE O-RING, 180°	68	<b>O</b>	
FEMALE O-RING, 45°	67-68	OILS & REFRIGERANTS	64
FEMALE O-RING, 45° BARB	72	O-RING ASSORTMENT	83
FEMALE O-RING, 90°	68	O-RING TO FLARE	75
FEMALE O-RING, 90° BARB	72	ORINGS	76
FEMALE O-RING, STRAIGHT	67	O-RINGS	24
FEMALE O-RING, STRAIGHT BARB	72	<b>P</b>	
FERRULES	76	PAG OIL	64
FIXED THERMOSTATS	40	PARKER BARRIER REFRIGERATION HOSE	78
FREON SOLENOID SWITCHES	38	PARKER REDUCE O.D. BARRIER REFRIGERATION HOSE	78
<b>G</b>		PRESSURIZERS	118
GROMMET & HOLE LINERS	76	PROTECTIVE HOSE COVER	78
<b>H</b>		PUSH ON BARB FITTINGS	72-74
HEATER FITTINGS	46-47	<b>R</b>	
HEATER HOSE	78	R-12 MANIFOLDS	81
HEATER HOSE TO FEMALE O-RING FITTINGS	46	R134a COUPLERS	81
HEATER HOSE TO MALE PIPE FITTINGS	46	R134a HOSES	81
HEATER SHUT OFF WATER VALVES	47	R134a MANIFOLDS	81
HEATER SPLICERS & Y-FITTINGS	47	R134a REPLACEMENT GAUGES	82
HEATERS	115-117	R134a SERVICE PORT ADAPTERS	20
HIGH & LOW PRESSURE SWITCHES	37	RADIATOR MOUNTED CONDENSER - MULTIFLOW	58
HOSE	78	RADIATOR MOUNTED CONDENSER - TUBE & FIN	58
HOSE CLAMPS	76	RECEIVER DRIER	51-55
HYDRAULIC COMPRESSORS	128	RELAYS	39
<b>I</b>		REMOTE CONDENSERS	119-126
ICE/TAMA - 134a COMPRESSORS	10	REMOTE MOUNT FILTERS	86-88
ICE/TAMA CLUTCHES	18	REPLACEMENT AIR FILTERS	86
ICE/TAMA COMPRESSOR MANIFOLDS	22	RESISTORS	39
IDLER PULLEYS & ACCESSORIES	24	ROCKER SWITCHES	34
INTERNALLY EQUALIZED EXPANSION VALVES	43	ROTARY SWITCHES	34
<b>K</b>		ROTARY THERMOSTATS	40
KNOBS	35	ROTOLOCK TO FLARE	20
<b>L</b>		ROTOLOCK TO O-RING	21
LEAK DETECTORS	80	<b>S</b>	
LEVER SWITCHES	34	SANDEN - 134a COMPRESSORS	11-12
LOUVERS	27	SANDEN CLUTCHES	18
LOUVERS & DUCTING	27	SANDEN COMPRESSOR CYLINDER HEADS	9
LOW PROFILE FAN ASSEMBLIES	29	SANDEN FLX7 COMPRESSOR MANIFOLDS	22
<b>M</b>		SD5H14	11
MALE FLARE, 45°	66	SD7H15	12
MALE FLARE, 90°	67	SD7H15 FLX	11
MALE FLARE, STRAIGHT	66	SERVICE HOSE REPLACEMENT PARTS	81
MALE INSERT O-RING, 45°	70	SERVICE VALVES	20-21
MALE INSERT O-RING, 90°	70	SHAFT KEY	24
MALE INSERT O-RING, STRAIGHT	69	SINGLE SHAFT MOTORS	32
MALE O-RING, 180°	69	SPLICERS, 180°	71
MALE O-RING, 45°	69	SPLICERS, 90°	71
MALE O-RING, 45° BARB	73	SPLICERS, STRAIGHT	70-71
MALE O-RING, 90°	69	SPLICERS, STRAIGHT BARB	73
MALE O-RING, 90° BARB	73	SPLICERS, TEE-SPLICER	71
MALE O-RING, STRAIGHT	69	SWITCHES	34-39
MALE O-RING, STRAIGHT BARB	73	<b>T</b>	
MANIFOLDS	81-82	TEE FITTING	71, 75
		THERMOMETERS	83



## Table of Contents

### Alphabetized Listing

<b>T</b>	
THERMOSTATS	40
TM15HD	10
TM16HD	10
TM21HD	10
TOGGLE SWITCHES	34
TRINARY PRESSURE SWITCHES	37
TUBE-O TO O-RING	21
<b>U</b>	
UNITS	89
<b>V</b>	
VACUUM PUMP & ACCESSORIES	84
VALVE CORE	24
VALVE CORE TOOLS	84
<b>W</b>	
WATER VALVES	47-48
<b>Y</b>	
YORK CLUTCHES	19
YORK SQUARE TYPE	12