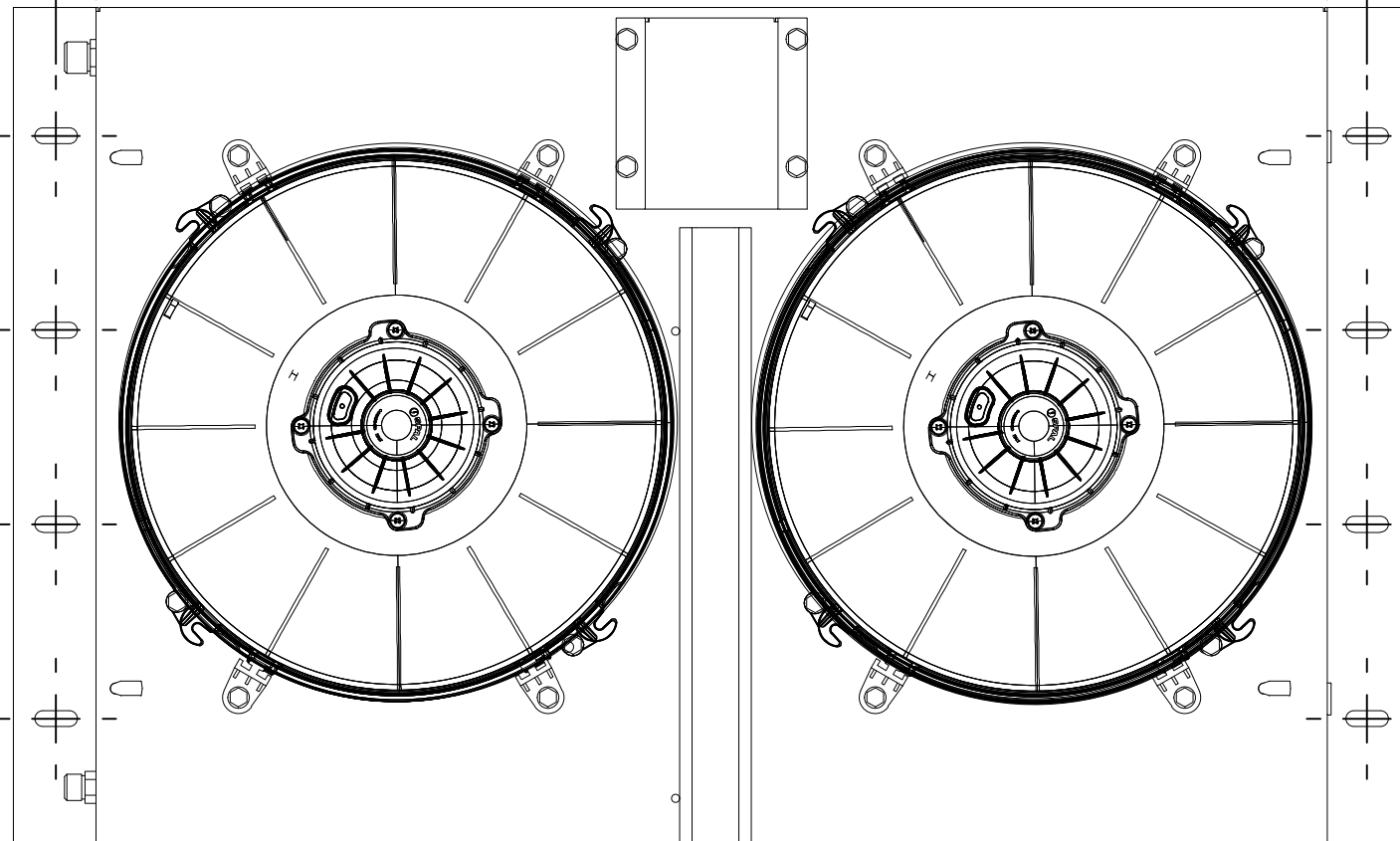
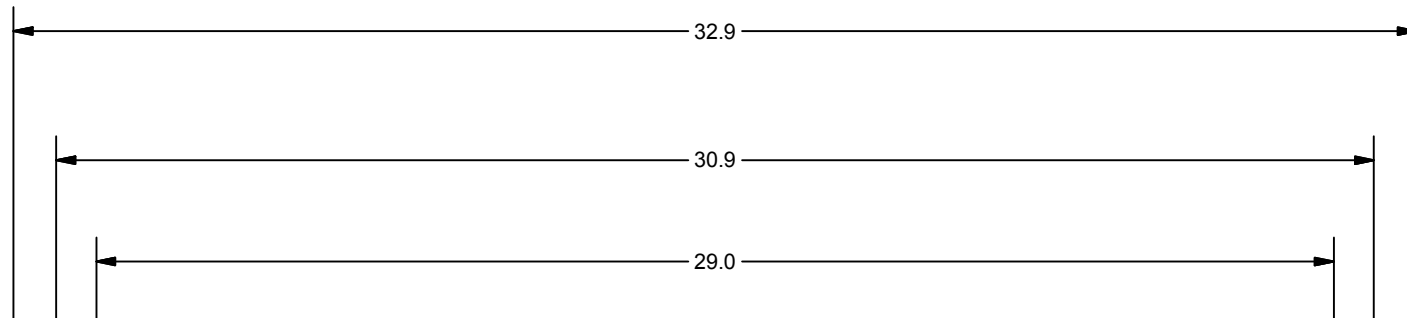
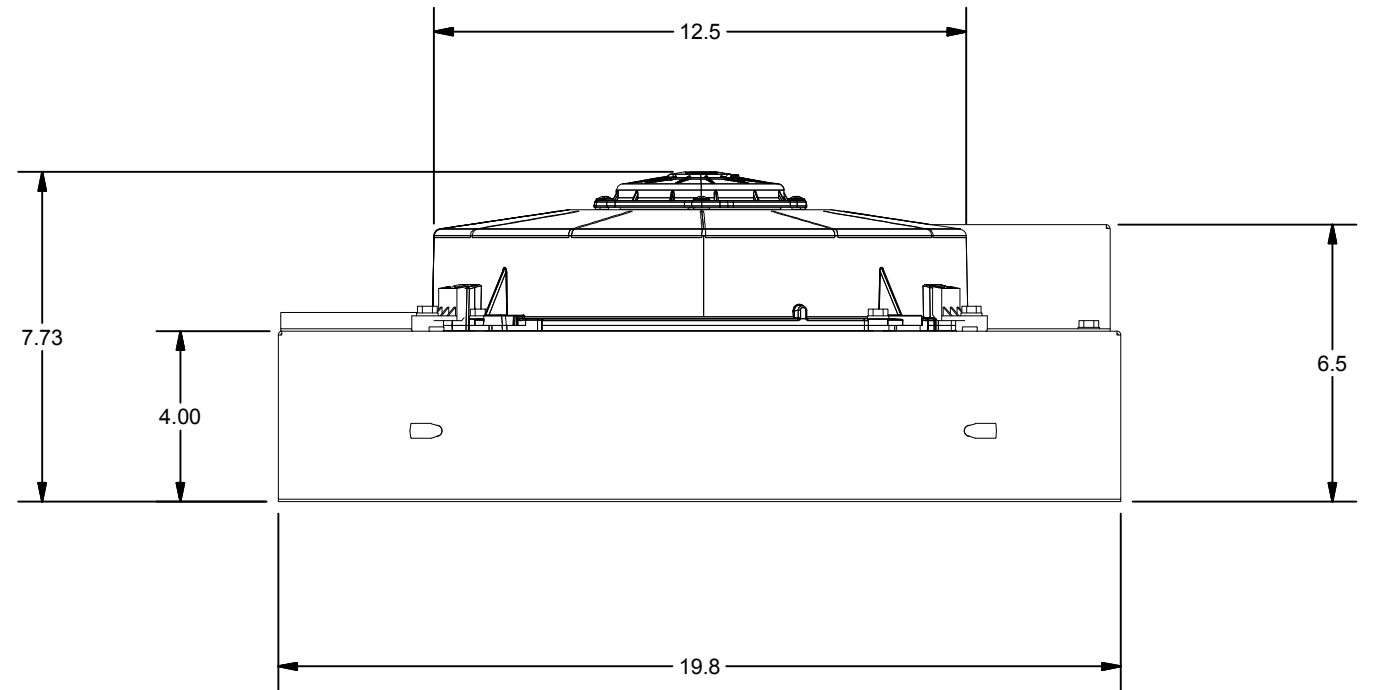
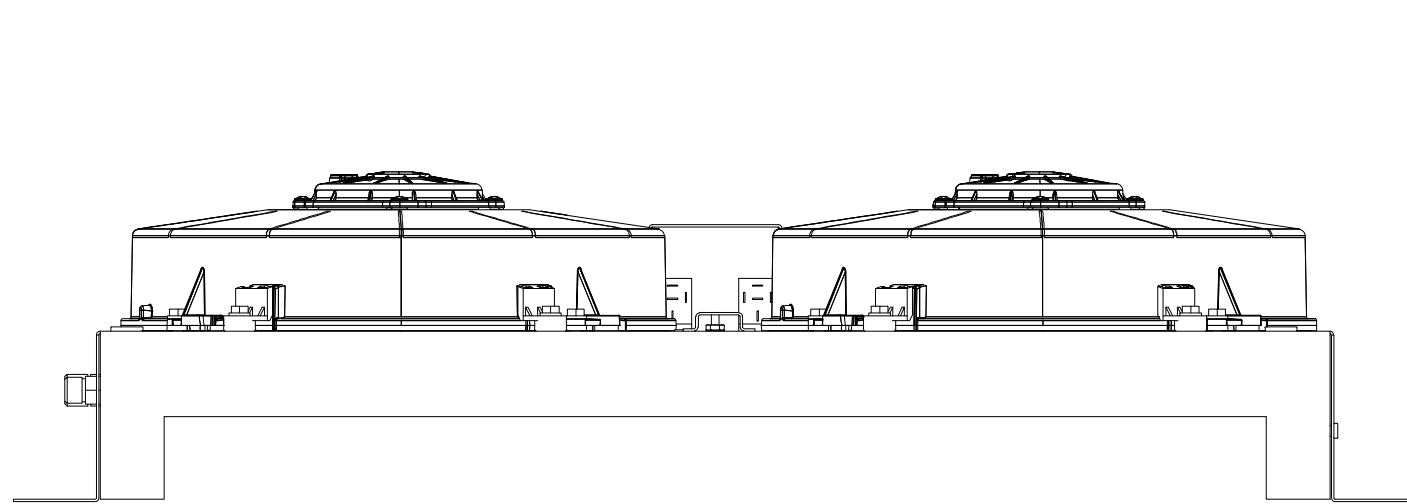
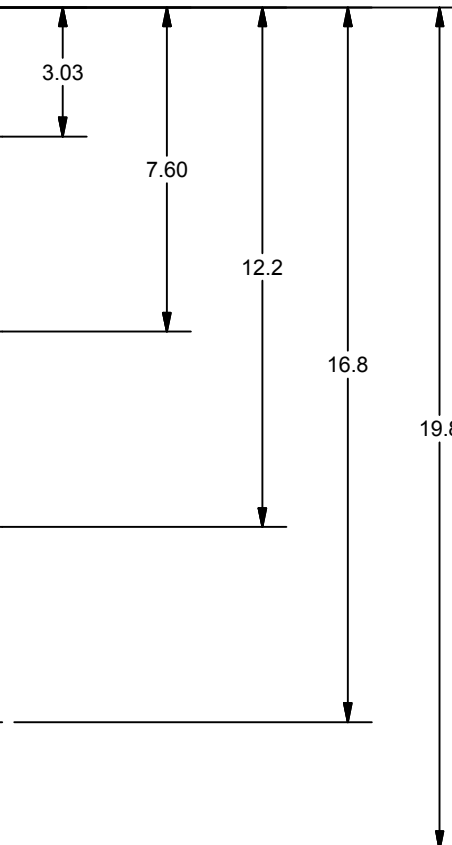


07-34006 FOOTPRINT AND MOUNTING INFORMATION



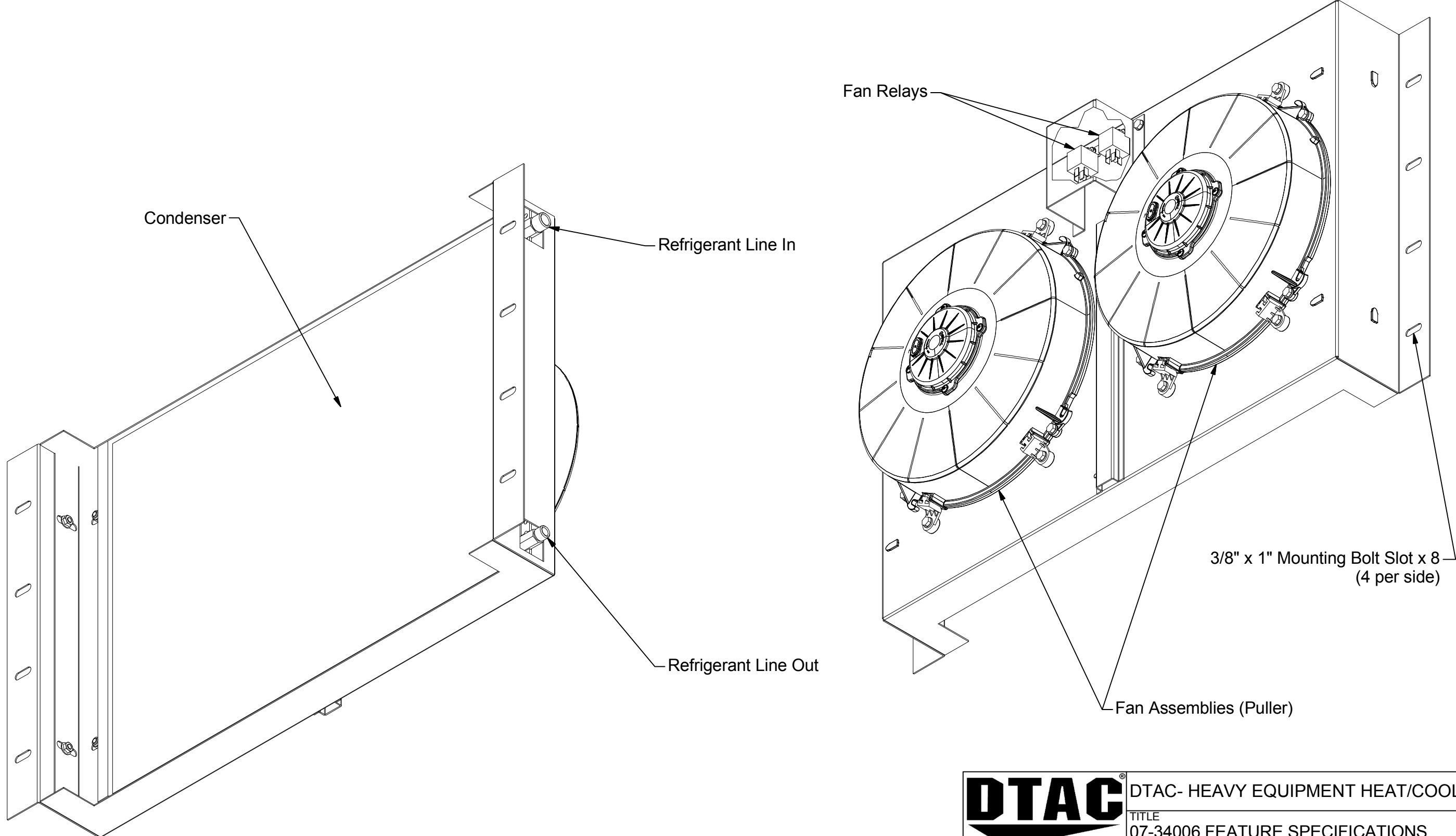
Mounting Hole Spacing



Mounting Specifications	
Quantity	Description
8	3/8" x 1" SLOT

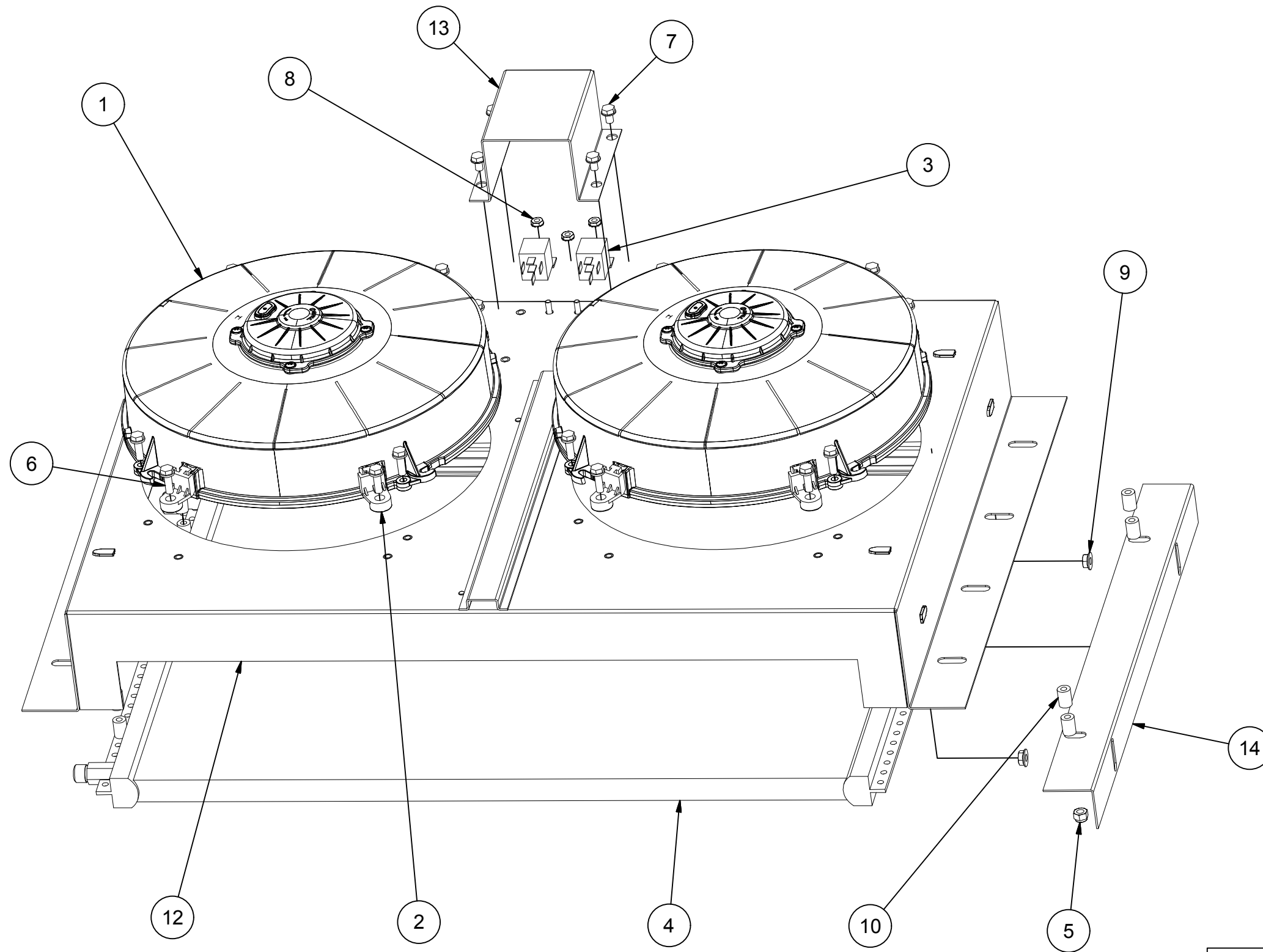
DTAC [®]		DTAC- HEAVY EQUIPMENT HEAT/COOL SYSTEMS	
		TITLE 07-34006 FOOTPRINT AND MOUNTING INFORMATION	
MODELED JSHAW		DWG NAME 07-34006 Drawings.idw	
DRAWN jhamaker	8/19/2011	SIZE B	NOTE: ALL UNITS IN INCHES

07-34006 FEATURE SPECIFICATIONS



DTAC [®]		DTAC- HEAVY EQUIPMENT HEAT/COOL SYSTEMS	
		TITLE 07-34006 FEATURE SPECIFICATIONS	
MODELED		DWG NAME 07-34006 Drawings.idw	
DRAWN		SIZE	NOTE: ALL UNITS IN INCHES
jhamaker	8/19/2011	B	SHEET 2 OF 4

07-34006 PARTS BREAKDOWN AND UNIT SPECIFICATIONS

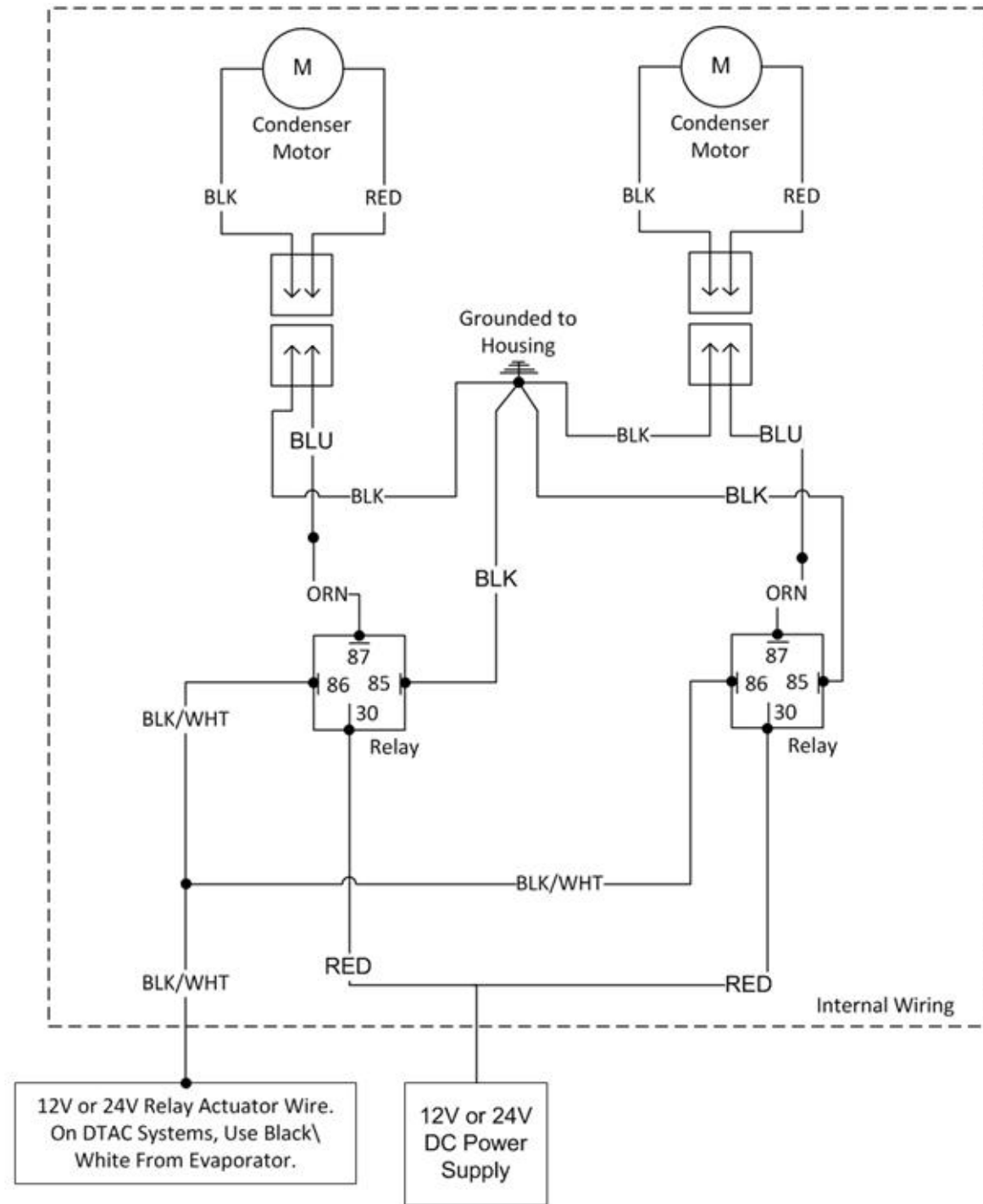


Parts Breakdown				
ITEM	QTY	DTAC NO.	DESCRIPTION	NOTE
1	2	02-4012S or 02-4012S-24	12V Fan, Puller 24V Fan, Puller	
2	8	02-50025	Mount Leg	
3	2	03-01702 or 03-01704	12V Relay 24V Relay	
4	1	07-01466	Radiator Mount Condenser	
5	4	12-00001	1/4-20 Nylon Nut	
6	16	12-00002	1/4-20 X 3/4 Whiz Flange Bolt	
7	4	12-00003	1/4-20 X 3/8 Bolt	
8	3	12-00041	10-24 Keps Nut	
9	2	12-00057	1/4-20 Whiz Nut	
10	8	12-00071	Spacer, 1/4" x 5/8"	
11	1	12-00346	Wire Harness	1
12	1	34-60000	Housing	
13	1	34-60001	Relay Cover	
14	1	34-60002	Air Dam Bracket	
-	-	Note 1	Part not shown	

UNIT SPECIFICATIONS					
BTU'S COOL	AIR FLOW	WEIGHT	MOTOR	CURRENT DRAW	DTAC NO.
40,000	Dual 1500 CFM	36 LBS	2-12V	32.2 AMPS @ 13 VDC	07-34006-12
"	"	"	2-24V	18 AMPS @ 26 VDC	07-34006-24

DTAC		DTAC- HEAVY EQUIPMENT HEAT/COOL SYSTEMS	
		TITLE 07-34006 PARTS BREAKDOWN AND UNIT SPECIFICATIONS	
MODELED JSHAW		DWG NAME 07-34006 Drawings.idw	
DRAWN jhamaker	8/19/2011	SIZE B	NOTE: ALL UNITS IN INCHES

07-34006 Series Wiring Diagram



Manufacturer of Heavy Equipment Heat/Cool Systems
5130 Edgefield Ln, TX 76065 USA
Phone 1-800-527-9477 Fax 1-800-299-5972
www.dtac.com

02.10.11

SIZE
B

SHEET 4 OF 4