



EVAPORATORS

141 Series

Cool Only, Floor, Under Dash or Ceiling Mount

EVAPORATORS

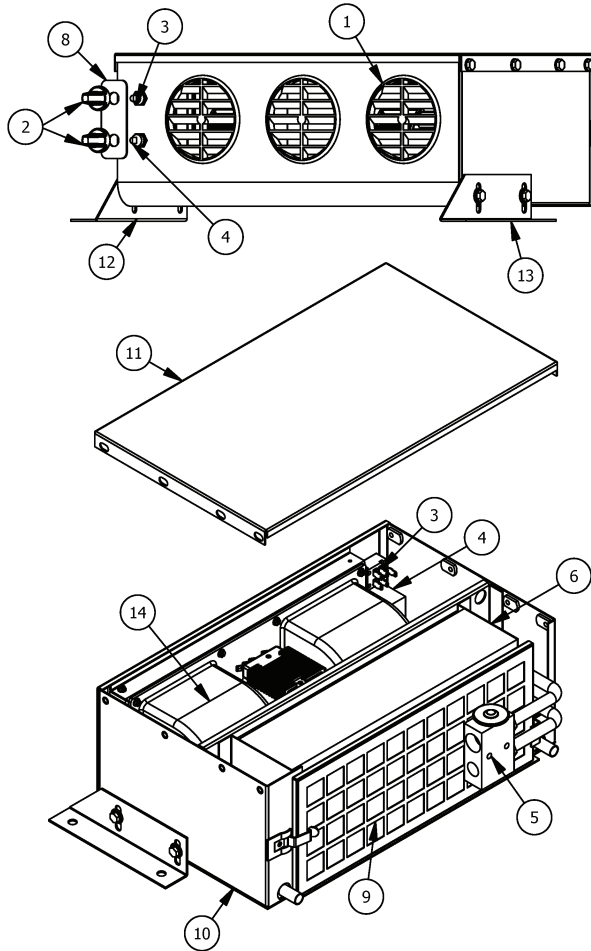


FEATURES

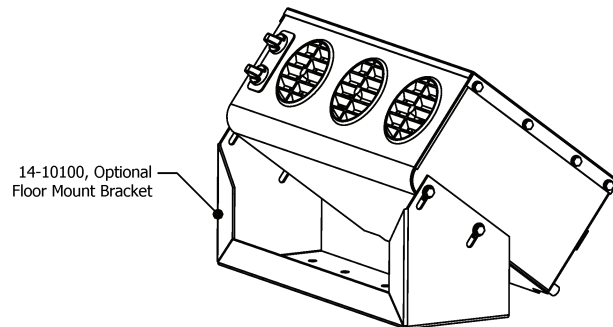
- Available 12 or 24 Volt
- Three Speed Blower Motor
- Adjustable Thermostat
- 3 – 3.5" Directional Louvers
- Removable, Washable Filter
- Steel Case with Black Powder Coat Finish

OPTIONS

- Floor Mount Bracket P/N 14-10100



141-A PARTS LIST Rev.1				
ITEM	QTY	DTAC NO.	DESCRIPTION	NOTE
1	3	02-16061	3-1/2" Louver	
2	2	03-00165	Knob	
3	1	03-13006	Rotary 3-Speed Switch	
4	1	03-14002	Rotary Thermostat	
5	1	04-15004	Block Expansion Valve	
6	1	07-00141	Evaporator Coil	
7	1	12-00026	Wire Harness	1
8	1	12-50419	Faceplate	
9	1	14-10000	141 Intake Filter	
10	1	14-10001A	Bottom Housing Rev	
11	1	14-10002	Lid	
12	1	14-10003	Mounting Brkt, Right	
13	1	14-10005	Mounting Brkt, Left	
14	1	30-51580 30-51581	12V Blower Assembly 24V Blower Assembly	
15		NOTE 1	Not Shown	



BTU'S COOL	AIR FLOW	HEIGHT	WIDTH	DEPTH	WEIGHT	MOTOR	CURRENT DRAW	DTAC NO.
20,000	295 CFM	6.5"	17.25"	9.75"	24 LBS	1-12V	13 AMPS @ 13.5 VDC	141-12A
"	"	"	"	"	"	1-24V	8 AMPS @ 27. VDC	141-24A