

# 141 Series MULTI-MOUNT EVAPORATOR

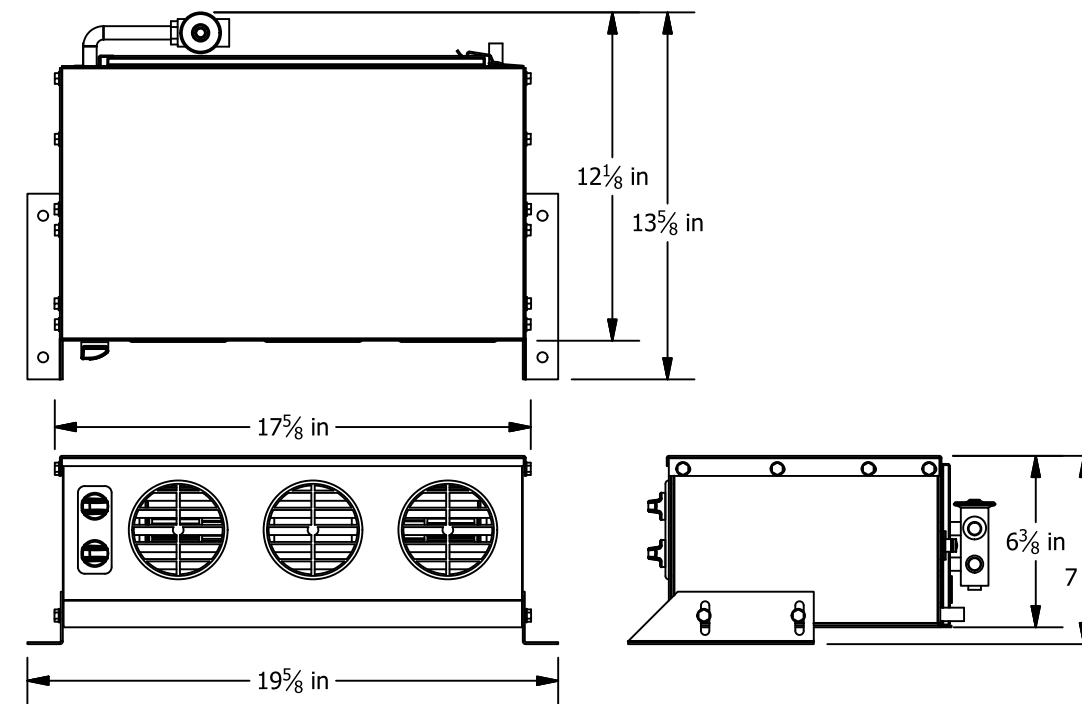


The 141 provides outstanding performance in a compact size. The mounting feet can be attached to the bottom or top of the unit providing flexible mounting options from under-dash, floor or ceiling mount. Features include three adjustable louvers, rotary thermostat and a three-speed blower motor. Originally designed for smaller cabs, the performance, compact size and versatile mounting make the 141 ideal for many applications.

CAD

## 141 Series

A Blast of Cold Air from a Compact Universal Unit



<b>BTU's</b>	20,000 Cool
<b>Air Flow</b>	295 CFM
<b>Thermostat</b>	Adjustable
<b>Unit Controls</b>	3 Speed fan switch and Rotary thermostat on unit
<b>Motor</b>	Single - 3 Speed 12V - 13 AMPS @ 13.5 VDC 24V - 8 AMPS @ 27 VDC