

400 and 430 Series FLOOR MOUNT EVAPORATORS

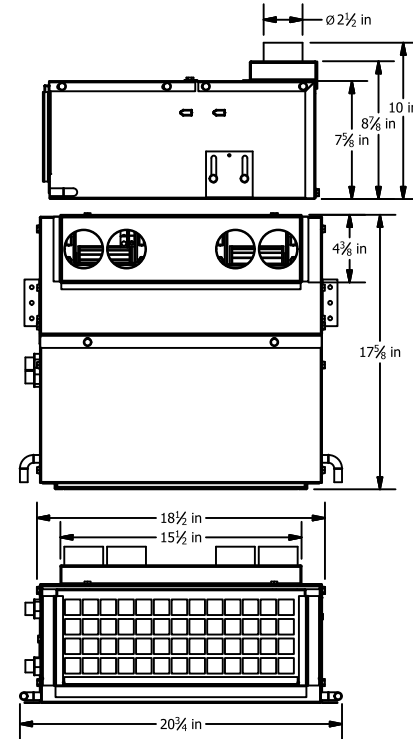


Our 400 and 430 Series are ideally suited behind the seat, and have also found tremendous success in bunk unit applications. Teeing into existing ductwork or directing airflow exactly where you need it is simple when combined with one of our auxiliary louver assemblies. Each unit includes a remote wire harness and high capacity heat/cool coil with a performance tuned blower assembly providing incredible output in a compact package.

CAD

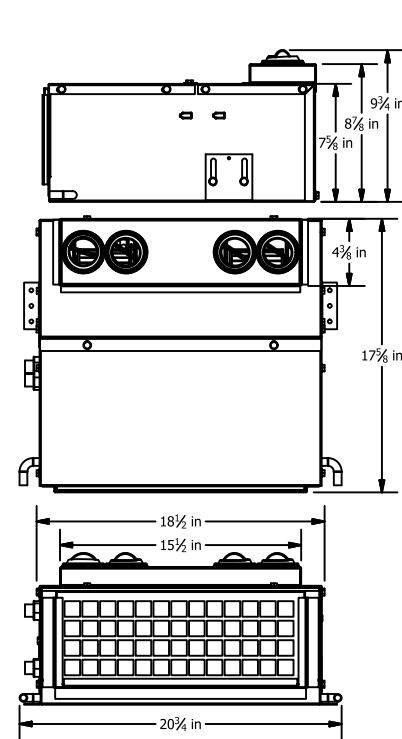
402 Series

Most Popular Bunk/Sleeper Heat/Cool Unit



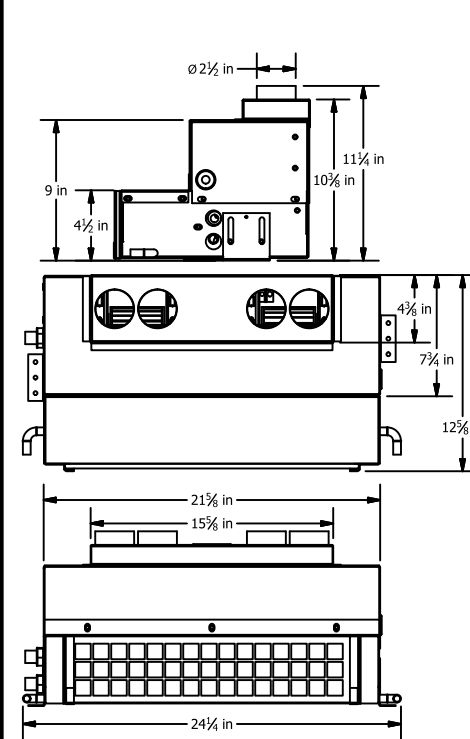
403 Series

Heat/Cool with Closeable Louvers



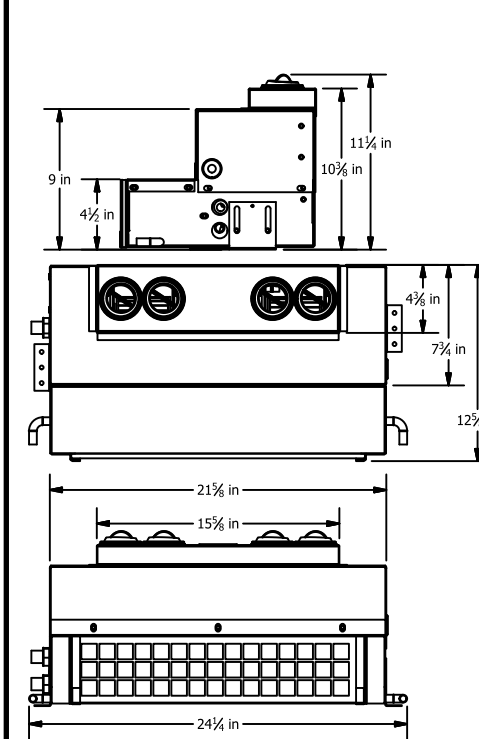
430 Series

Most Popular Heat/Cool Floor Mounted Unit



431 Series

Ideal Heat/Cool Unit when Duct Hose is not Required



BTU's	26,000 Cool and 26,000 Heat	26,000 Cool and 26,000 Heat	20,200 Cool and 16,000 Heat	20,200 Cool and 16,000 Heat
Air Flow	405 CFM	405 CFM	395 CFM	395 CFM
Air Outlet	2.5in Duct Hose	2.5in Round Closeable Louver	2.5in Duct Hose	2.5in Round Closeable Louver
Thermostat	Preset	Preset	Preset	Preset
Unit Controls	3 Speed fan switch and Heat/Cool Toggle Switch on Remote Harness	3 Speed fan switch and Heat/Cool Toggle Switch on Remote Harness	3 Speed fan switch and Heat/Cool Toggle Switch on Remote Harness	3 Speed fan switch and Heat/Cool Toggle Switch on Remote Harness
Motor	Single - 3 Speed 12V - 22.5 AMPS @ 13.6 VDC 24V - 15 AMPS @ 27 VDC	Single - 3 Speed 12V - 22.5 AMPS @ 13.6 VDC 24V - 15 AMPS @ 27 VDC	Single - 3 Speed 12V - 22.5 AMPS @ 13.6 VDC 24V - 15 AMPS @ 27 VDC	Single - 3 Speed 12V - 22.5 AMPS @ 13.6 VDC 24V - 15 AMPS @ 27 VDC

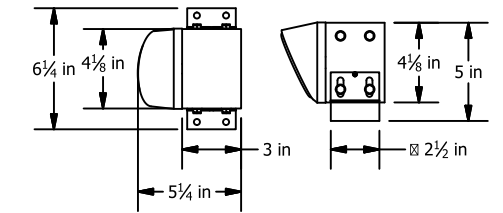
AUXILIARY LOUVER ASSEMBLIES

Compatible with our 402 & 430 Series, or any 2.5 inch duct hose, our auxiliary louver assemblies are a simple solution for routing air exactly where you need it.

410-AL1/410-AL4

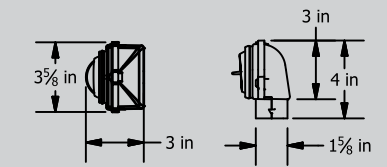
Universal air plenum assembly compatible with any of our units fitted with 2.5in duct hose outlets.

410-AL1 includes 1 louver set and 3 feet of 2.5in duct hose.
410-AL4 includes 4 louver sets and 3 feet of 2.5in duct hose.



02-50172

This louver is great when space is limited. Includes 3in round closeable louver and accepts 2.5in duct hose.



02-16069

This universal air plenum assembly is ideal for flush mounting to the dash.

