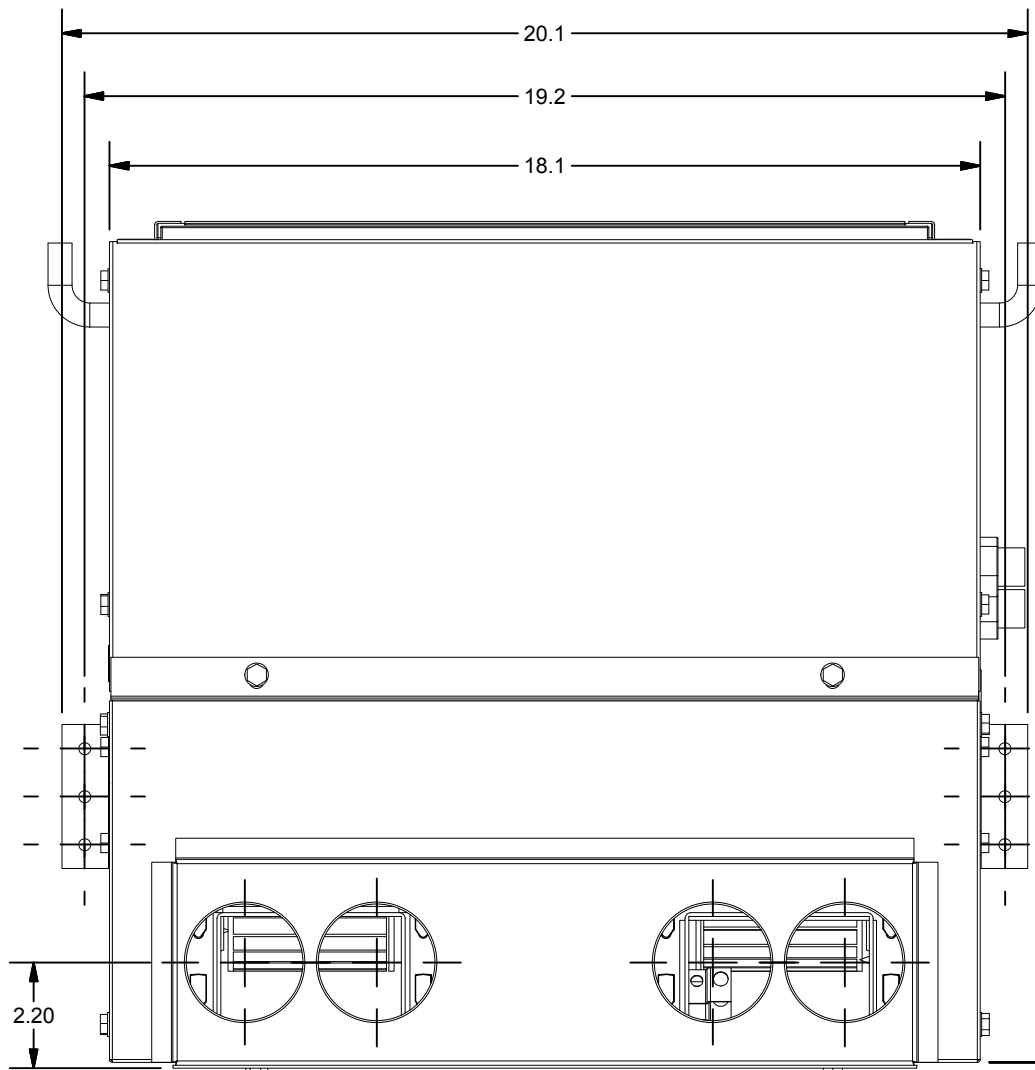
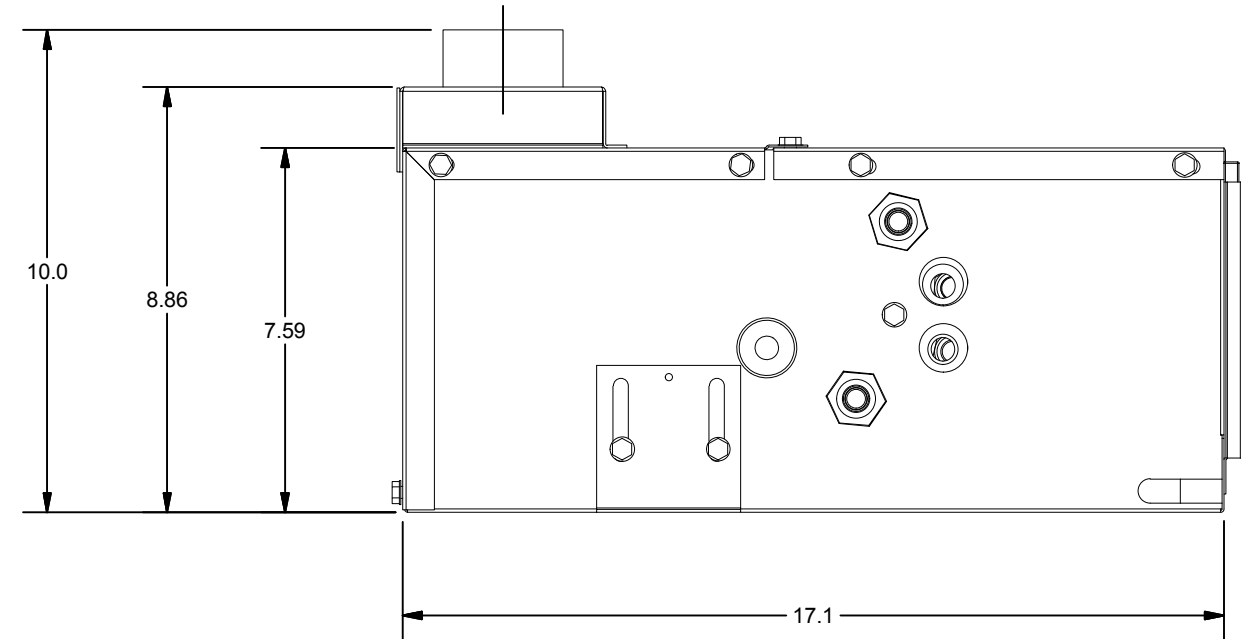
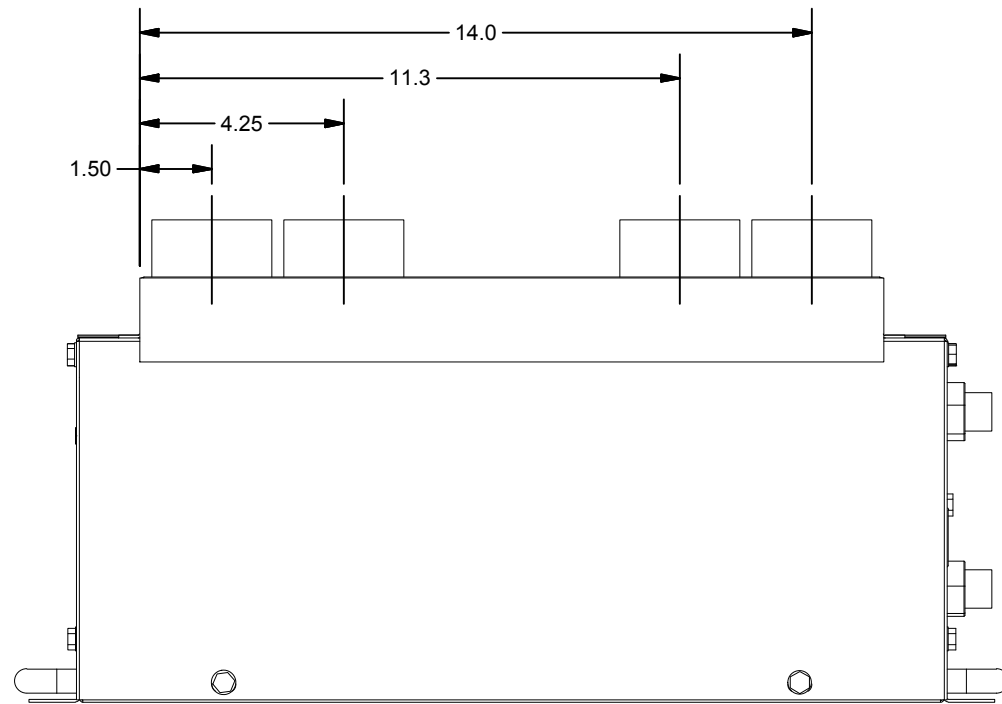
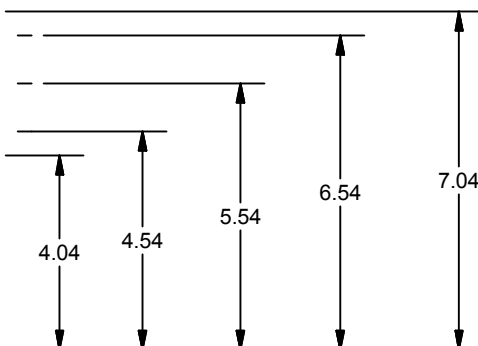


# 402 FOOTPRINT AND MOUNTING INFORMATION



## Mounting Hole Spacing



| Mounting Specifications |                           |
|-------------------------|---------------------------|
| Quantity                | Description               |
| 6                       | 1/4" DIA HOLE- NO THREADS |



DTAC- HEAVY EQUIPMENT HEAT/COOL SYSTEMS

TITLE  
402 FOOTPRINT AND MOUNTING INFORMATION

MODELED

JSHAW

DRAWN

jhamaker

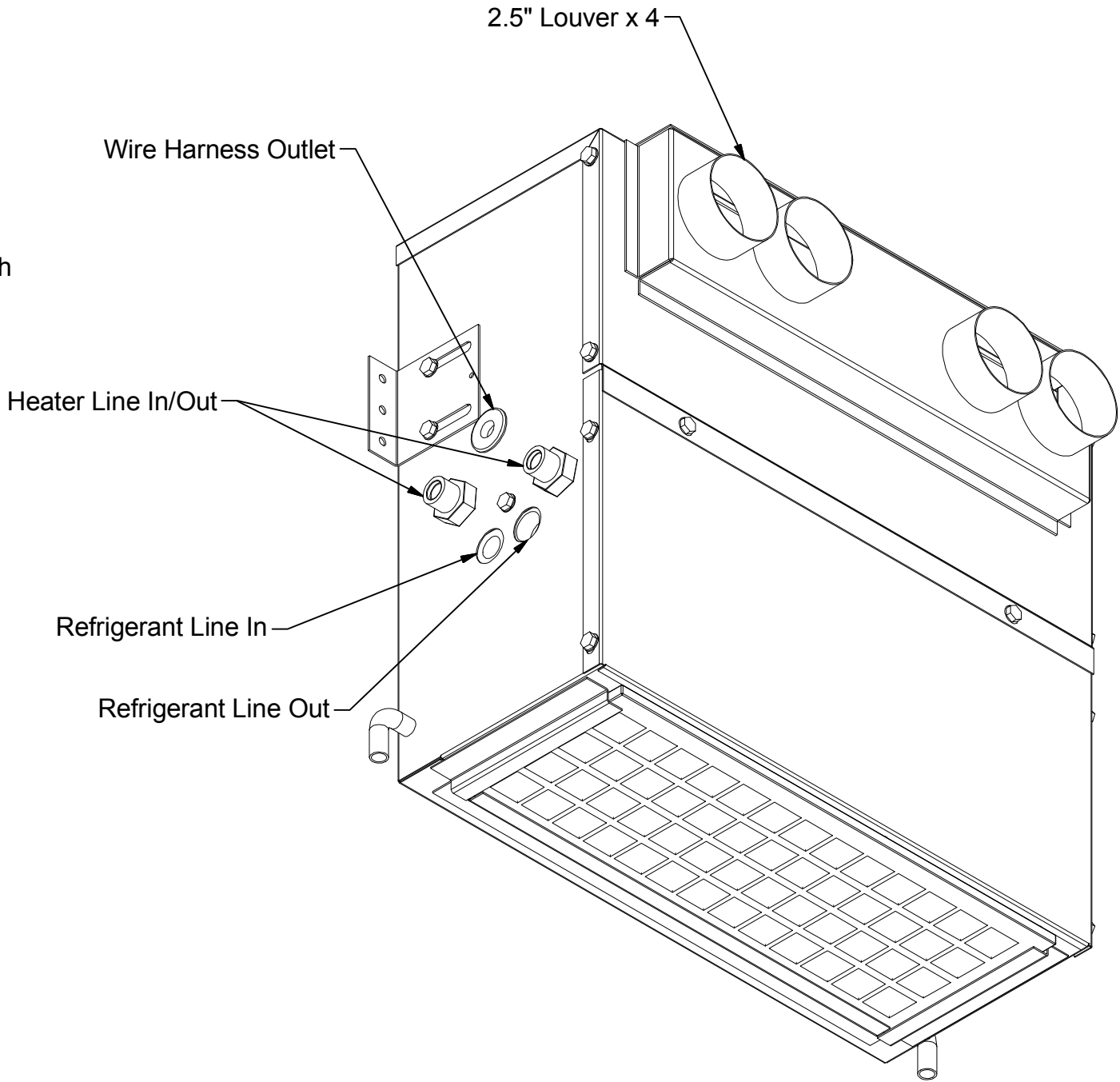
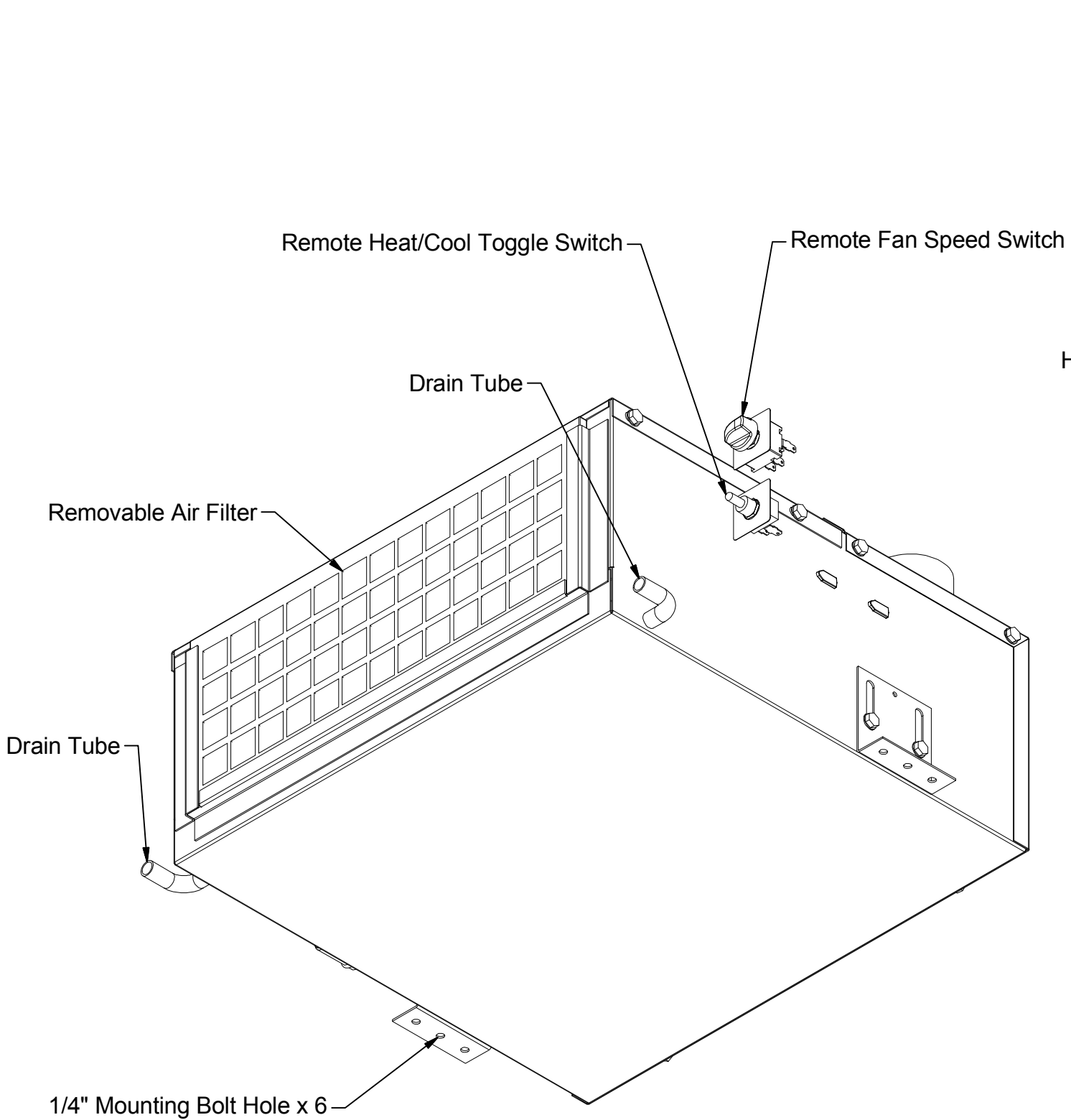
DWG NAME  
402 Drawings.idw

SIZE  
B

NOTE: ALL UNITS IN INCHES

SHEET 1 OF 4

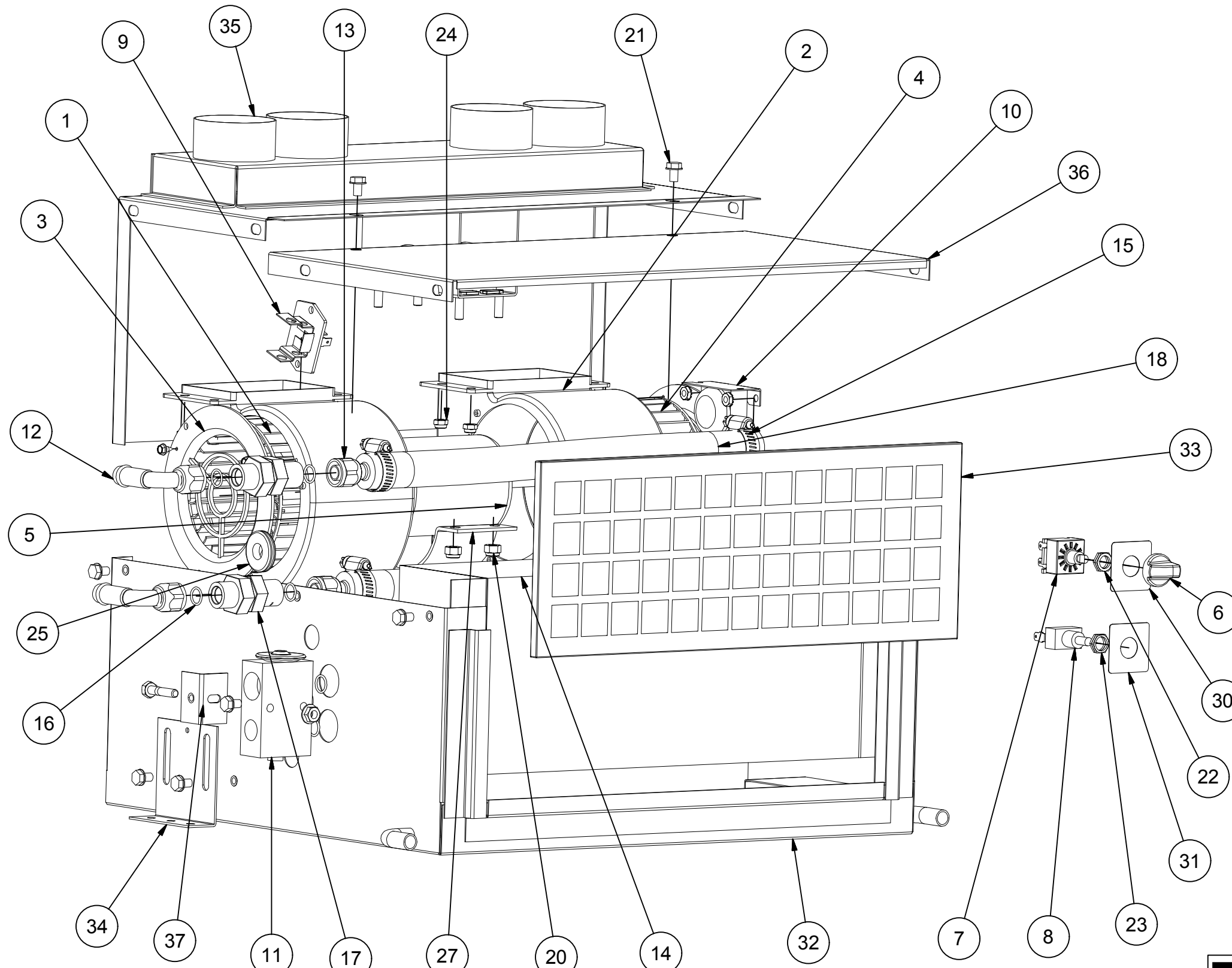
# 402 FEATURE SPECIFICATIONS



NOTE: Preset Thermostat is installed inside unit

|                          |          |   |                           |
|--------------------------|----------|---|---------------------------|
| <b>DTAC</b> <sup>®</sup> |          | DTAC- HEAVY EQUIPMENT HEAT/COOL SYSTEMS |                           |
|                          |          | TITLE<br>402 FEATURE SPECIFICATIONS     |                           |
| MODELED                  | JSHAW    | DWG NAME<br>402 Drawings.idw            |                           |
| DRAWN                    | jhamaker | 8/10/2011                               | SIZE<br>B                 |
|                          |          |   | NOTE: ALL UNITS IN INCHES |
|                          |          |   | SHEET 2 OF 4              |

# 402 PARTS BREAKDOWN AND UNIT SPECIFICATIONS



| Parts Breakdown |     |                      |                                      |      |
|-----------------|-----|----------------------|--------------------------------------|------|
| ITEM            | QTY | DTAC NO.             | DESCRIPTION                          | NOTE |
| 1               | 1   | 02-16039             | Blower Wheel CCW 701                 |      |
| 2               | 2   | 02-16058             | Blower Housing                       |      |
| 3               | 2   | 02-16059             | Venturi for 882 Blower Housing       |      |
| 4               | 1   | 02-16400             | Blower Wheel CW 701                  |      |
| 5               | 1   | 02-17018 or 02-17118 | 12V DS 1SP Motor or 24V DS 1SP Motor |      |
| 6               | 1   | 03-00165             | Knob                                 |      |
| 7               | 1   | 03-13006             | Rotary 3-Speed Switch                |      |
| 8               | 1   | 03-13020             | Toggle Switch                        |      |
| 9               | 1   | 03-13043             | Resistor 3 Prong                     |      |
| 10              | 1   | 03-14013             | Preset Thermostat                    |      |
| 11              | 1   | 04-15004             | Block Expansion Valve                |      |
| 12              | 2   | 05-00301             | 90 Degree Heater Fitting             |      |
| 13              | 2   | 05-50818             | Heater Fitting                       |      |
| 14              | 1   | 07-00913             | Heat/Cool Coil                       |      |
| 15              | 4   | 09-04000             | Hose Clamp #6/#8                     |      |
| 16              | 6   | 09-04012             | #8 O-Ring                            |      |
| 17              | 2   | 09-50004             | #8 MIO Bulkhead w Jam Nut            |      |
| 18              | 2   | 10-00058             | 5/8 Heater Hose                      |      |
| 19              | 1   | 10-20012             | Drain Hose (6ft)                     | 1    |
| 20              | 4   | 12-00001             | 1/4 - 20 Nylon Nut                   |      |
| 21              | 17  | 12-00003             | 1/4-20 X 3/8 Bolt                    |      |
| 22              | 2   | 12-00059             | Standard Switch Nut                  |      |
| 23              | 2   | 12-00060             | Heat/Cool Switch Nut                 |      |
| 24              | 9   | 12-00061             | 10-24 Nylon Nut                      |      |
| 25              | 1   | 12-00116             | One Inch Grommet                     |      |
| 26              | 2   | 12-00123             | Kazoo Drain Restrictor               | 1    |
| 27              | 1   | 12-00130             | Top Motor Mount                      |      |
| 28              | 1   | 12-00400             | Wire Harness                         | 1    |
| 29              | 2   | 12-01875             | 1/2 Plastic Elbow                    | 1    |
| 30              | 1   | 12-50420             | Face Plate - Heat/Cool               |      |
| 31              | 1   | 12-50421             | Face Plate - Air Increase            |      |
| 32              | 1   | 40-00002             | Housing                              |      |
| 33              | 1   | 40-00003             | Intake Filter                        |      |
| 34              | 2   | 40-00004             | Mounting Leg                         |      |
| 35              | 1   | 40-00015             | Blower Lid                           |      |
| 36              | 1   | 40-00016             | Back Lid                             |      |
| 37              | 1   | 50-50500             | Expansion Valve Mnt Brkt             |      |
| -               | -   | Note 1               | Part not shown                       |      |

| UNIT SPECIFICATIONS |            |          |        |       |                      |          |
|---------------------|------------|----------|--------|-------|----------------------|----------|
| BTU'S COOL          | BTU'S HEAT | AIR FLOW | WEIGHT | MOTOR | CURRENT DRAW         | DTAC NO. |
| 26,000              | 26,000     | 405 CFM  | 30 LBS | 1-12V | 22.5 AMPS @ 13.6 VDC | 402-12   |
| "                   | "          | "        | "      | 1-24V | 15 AMPS @ 27 VDC     | 402-24   |

**DTAC- HEAVY EQUIPMENT HEAT/COOL SYSTEMS**

TITLE  
402 PARTS BREAKDOWN AND UNIT SPECIFICATIONS

DWG NAME  
402 Drawings.idw

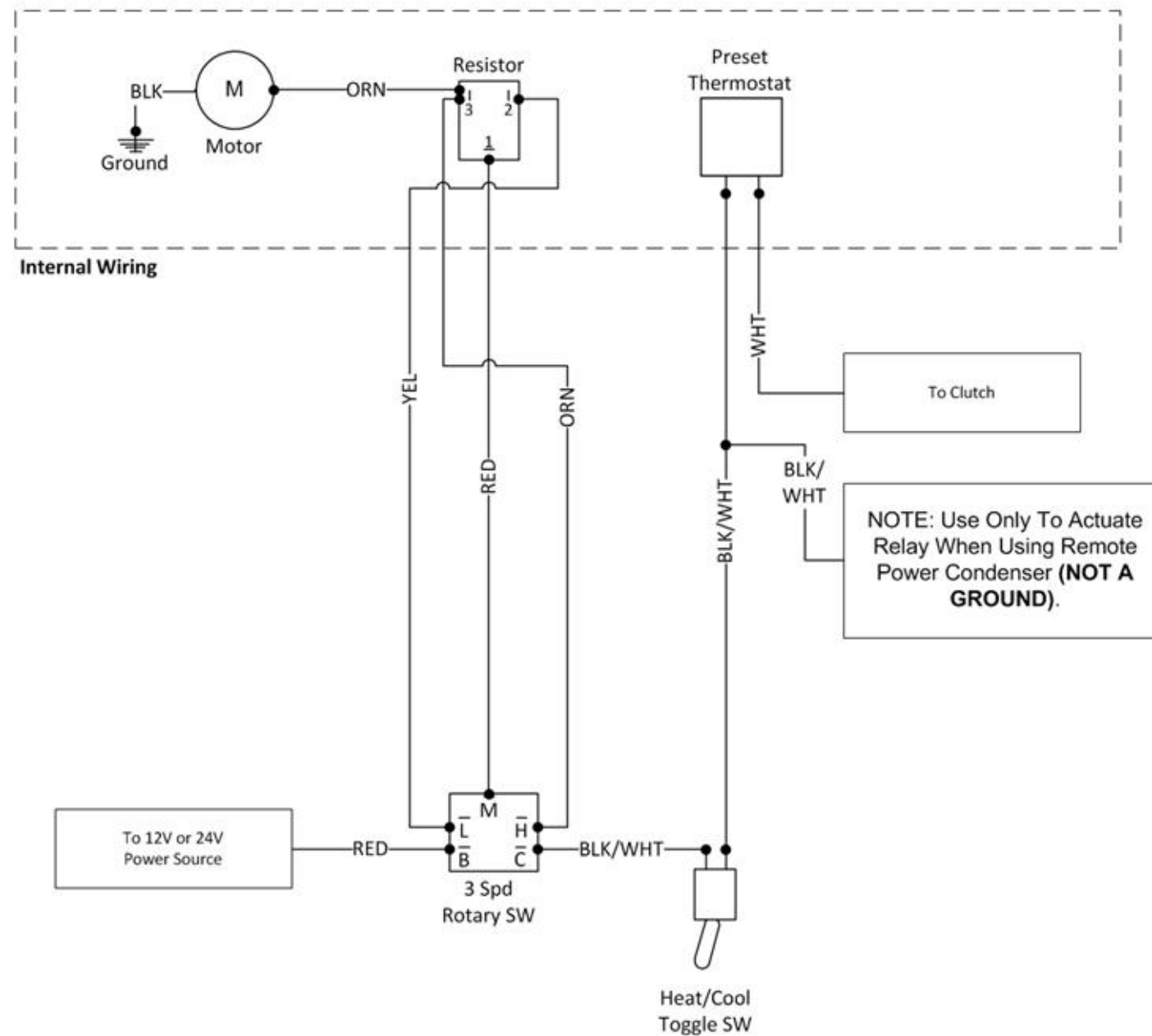
SIZE  
B

NOTE: ALL UNITS IN INCHES

|         |  |       |           |       |          |
|---------|--|-------|-----------|-------|----------|
| MODELED |  | DRAWN | 8/10/2011 | DRAWN | jhamaker |
|---------|--|-------|-----------|-------|----------|

SHEET 3 OF 4

# 402 & 403 Series Heat/Cool Wire Diagram



Note: Same harness used in 430 & 431 series



Manufacturer of Heavy Equipment Heat/Cool Systems  
5130 Edgefield Ln, TX 76065 USA  
Phone 1-800-527-9477 Fax 1-800-299-5972  
www.dtac.com

12-00400  
07.19.10

SIZE  
B

SHEET 4 OF 4