

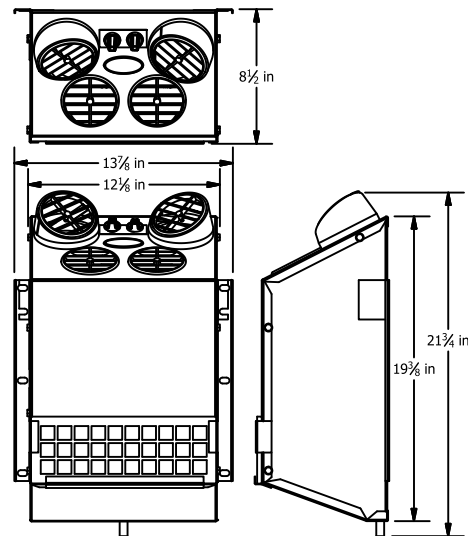
500 AND 800 SERIES WALL MOUNT EVAPORATORS



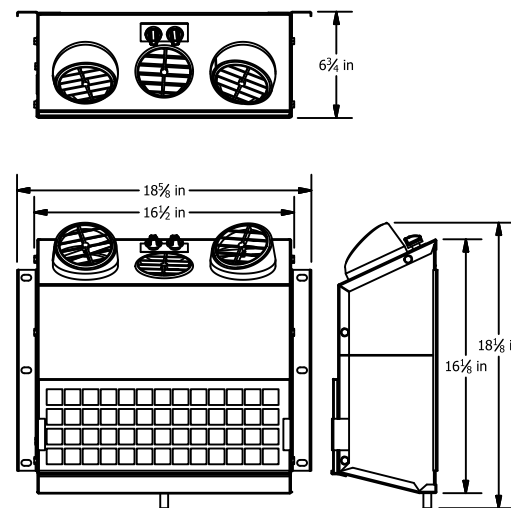
Our 500 and 800 Series offer premium performance in a design that is easily installed and serviced. Removing the front cover provides access to all internal components for maintenance. The 500 Series is designed for road trucks to mount between the seats. A favorite in armored vehicles and larger cabs, the 800 Series provides the performance necessary to keep you comfortable in the most demanding conditions and offers an available side mounted adjustable water valve.

CAD

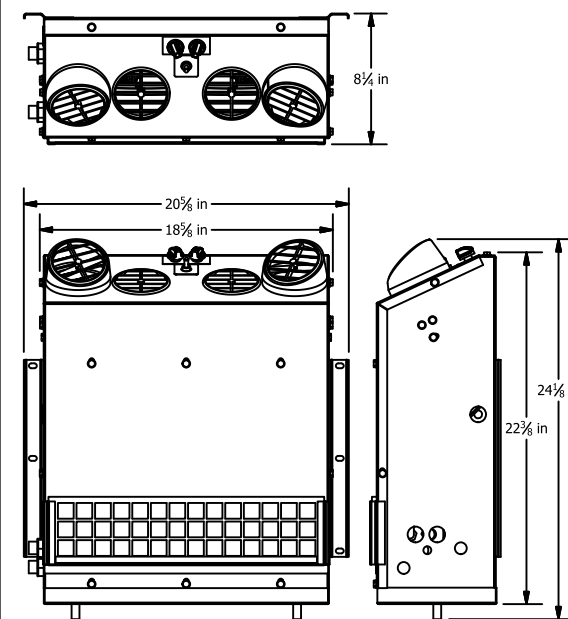
500 Series Top Selling Cool Only Unit for On-Road Trucks



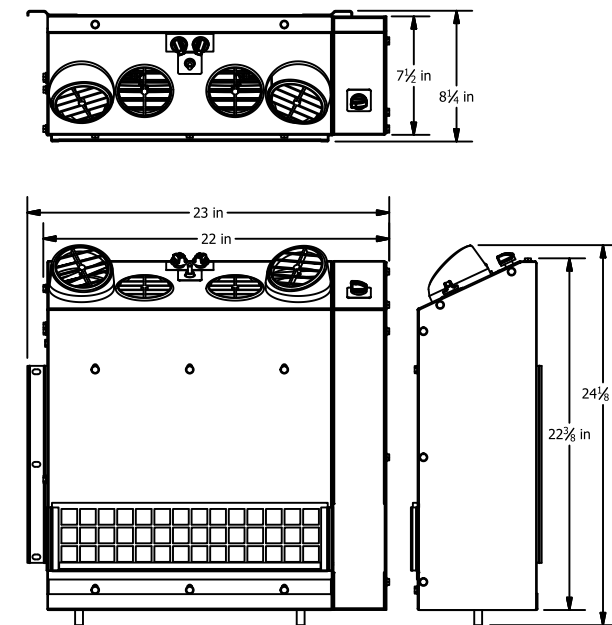
502 Series Cool Only Unit Great for Smaller Cabs



800 Series Top Selling Heat/Cool Wall Mount for Larger Cabs



822 Series | 823 Series Heat/Cool Units with Left or Right Side Mounted Adjustable Water Valves



BTU's

20,500 Cool

18,000 Cool

26,000 Cool & 26,000 Heat

26,000 Cool & 26,000 Heat | 24,000 Cool & 30,000 Heat

Air Flow

302 CFM

302 CFM

405 CFM

405 CFM

Thermostat

Adjustable

Adjustable

Adjustable

Adjustable

Unit Controls

3 Speed fan switch and
Rotary thermostat on unit

3 Speed fan switch and
Rotary thermostat on unit.

3 Speed fan switch, Rotary thermostat and
heat/cool toggle switch on unit

3 Speed fan switch, Rotary thermostat, adjustable
water valve and heat/cool toggle switch on unit

Motor

Single - 3 Speed
12V - 16 AMPS @ 13.5 VDC
24V - 7.5 AMPS @ 26.8 VDC

Single - 3 Speed
12V - 13 AMPS @ 13.5 VDC
24V - 8 AMPS @ 26.8 VDC

Single - 3 Speed
12V - 22.5 AMPS @ 13.6 VDC
24V - 15 AMPS @ 27 VDC

Single - 3 Speed
12V - 22.5 AMPS @ 13.6 VDC
24V - 15 AMPS @ 27 VDC