

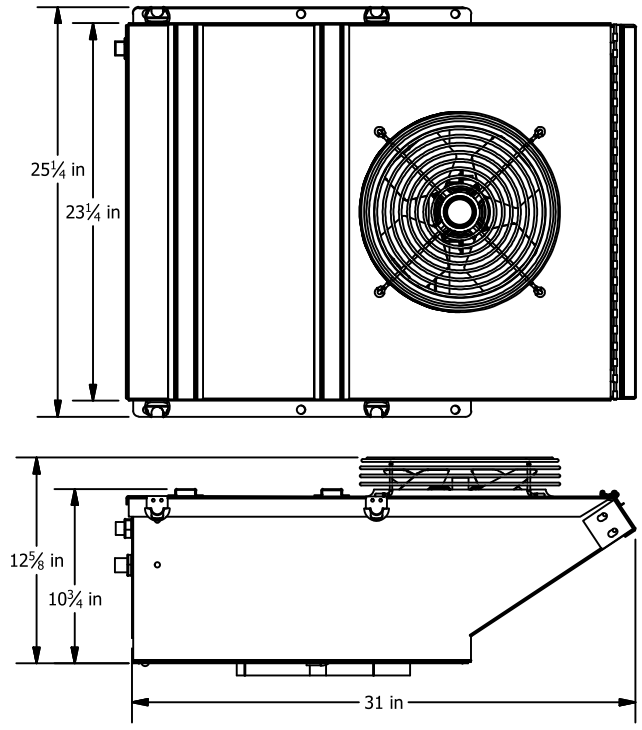
700 SERIES ROOFTOP UNIT



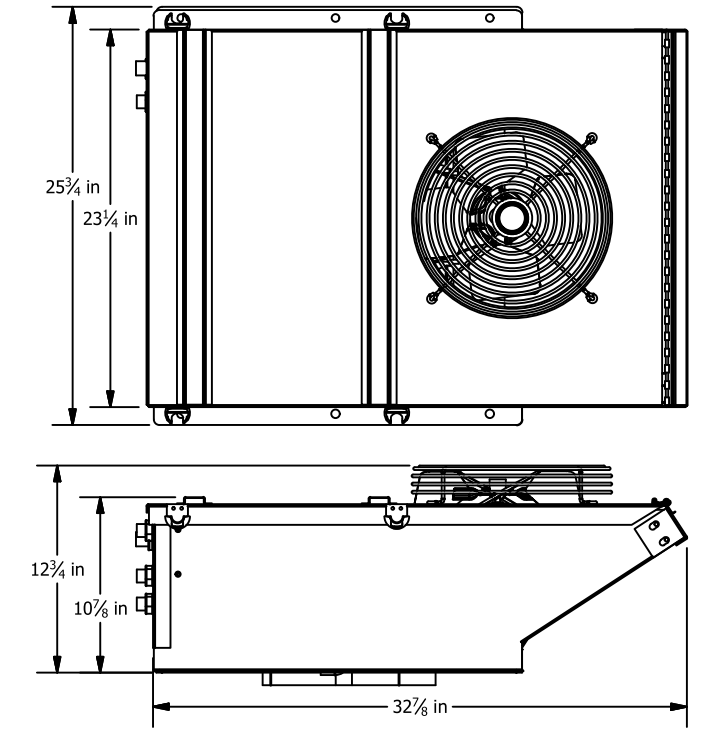
Our classic rooftop units provide the performance and reliability you demand in offroad applications. Rooftop systems provide a simple and efficient design by integrating the evaporator and condenser into a single compact package. Manufactured from heavy gauge steel and available with heat and pressurization, our 700 Series are rugged enough to meet all your rooftop needs.

CAD

701 Series Cool Only



702 Series Heat/Cool



BTU's	23,500 Cool	23,500 Cool and 15,500 Heat
Air Flow	345 CFM	345 CFM
Thermostat	Adjustable	Preset
Unit Controls	3 Speed fan switch and Rotary thermostat on unit	3 Speed fan switch, adjustable water valve and Heat/Cool Toggle Switch on unit
Motor	12V - 27 AMPS @ 13.5 VDC 24V - 14 AMPS @ 26.8 VDC	12V - 27 AMPS @ 13.5 VDC 24V - 14 AMPS @ 26.8 VDC