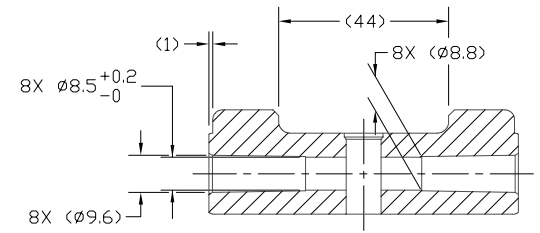
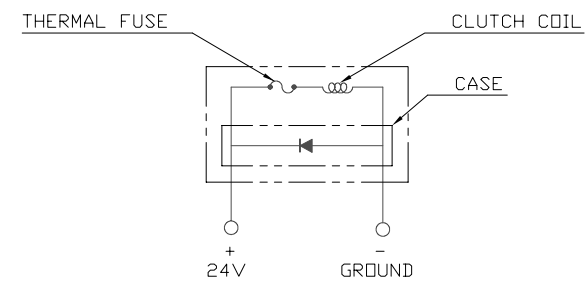


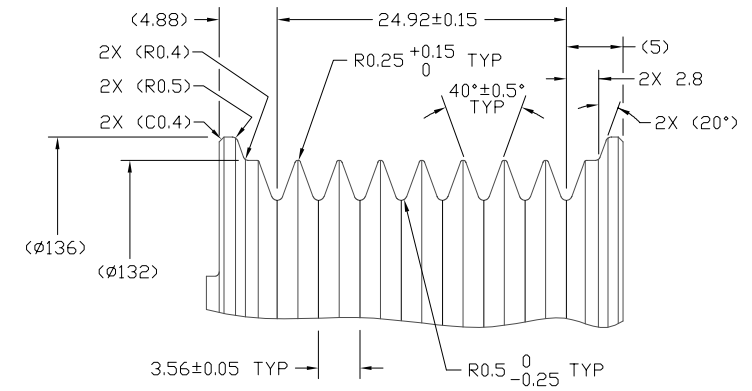
PDCN	REV.	APPV DATE	REVISIONS	DWN	DSGN	CHK	APPV
			INITIAL ISSUE				



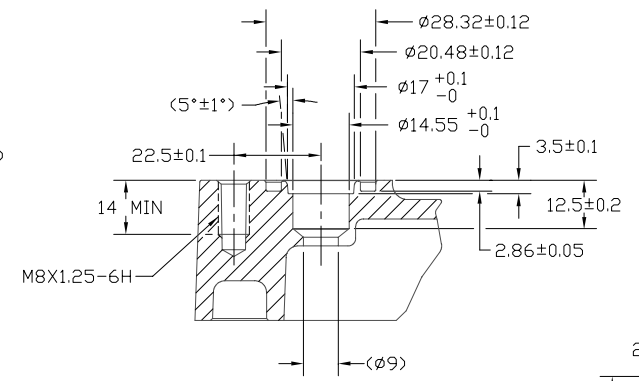
SECTION A-A



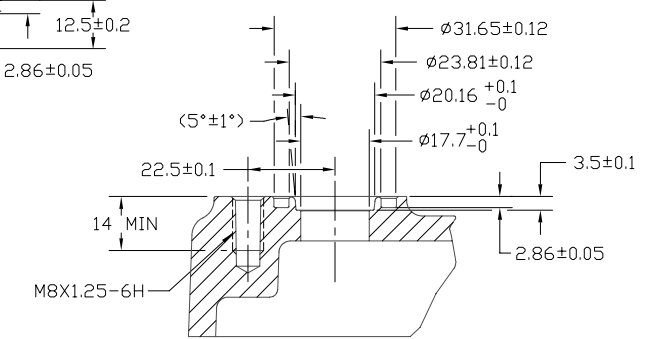
CIRCUIT DIAGRAM
(FOR REFERENCE)



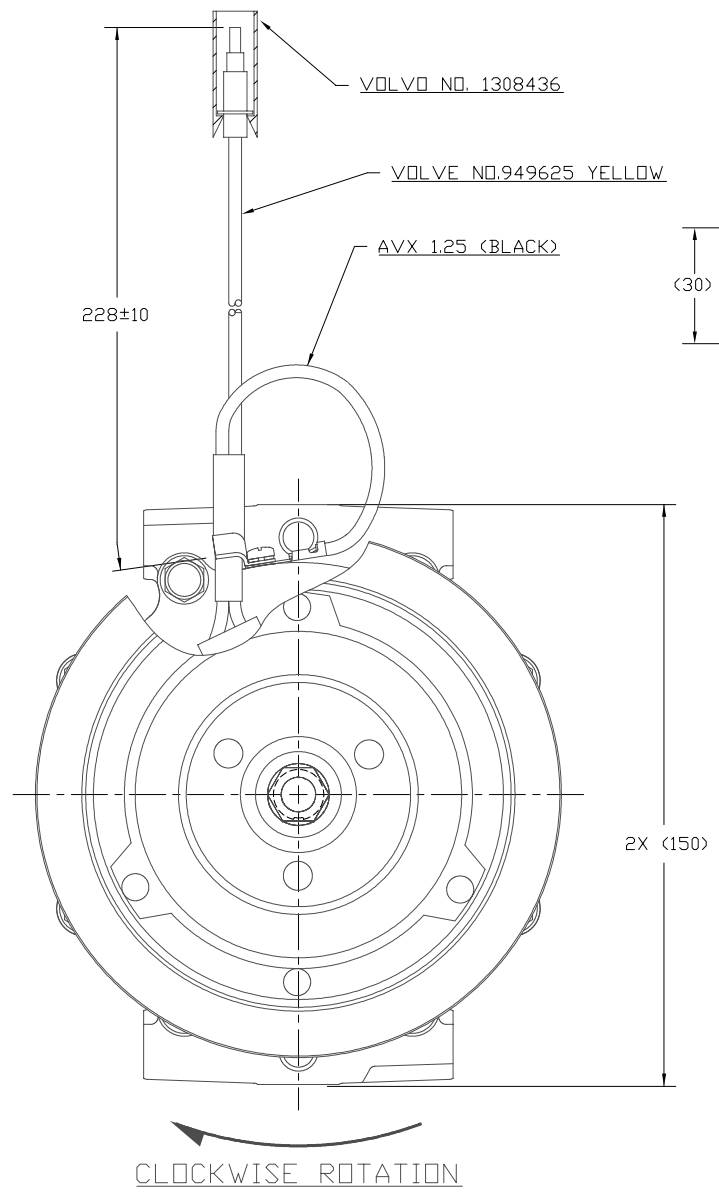
DETAIL C
SCALE - 3:1



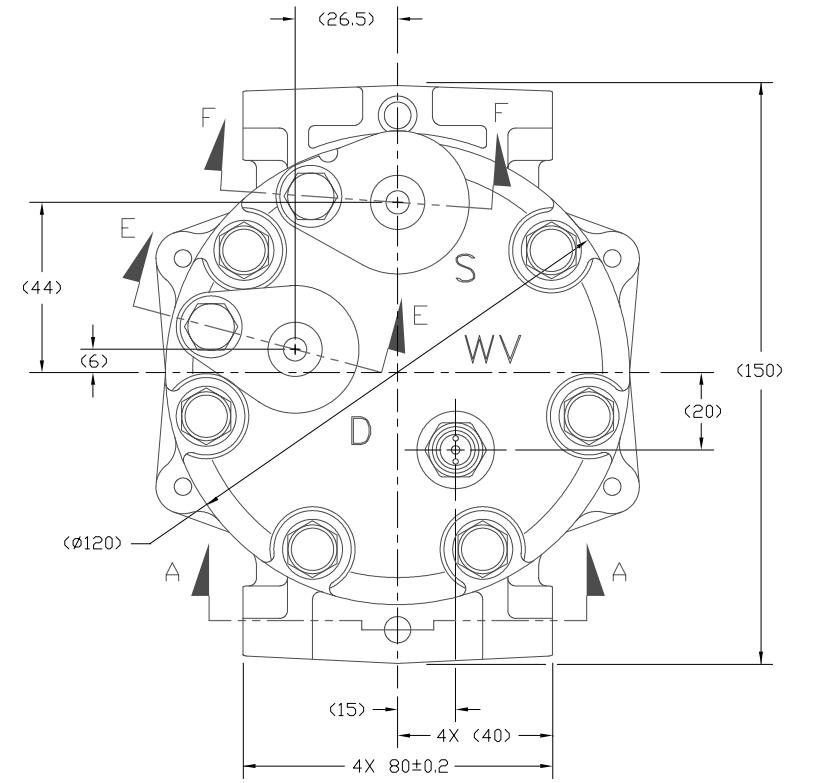
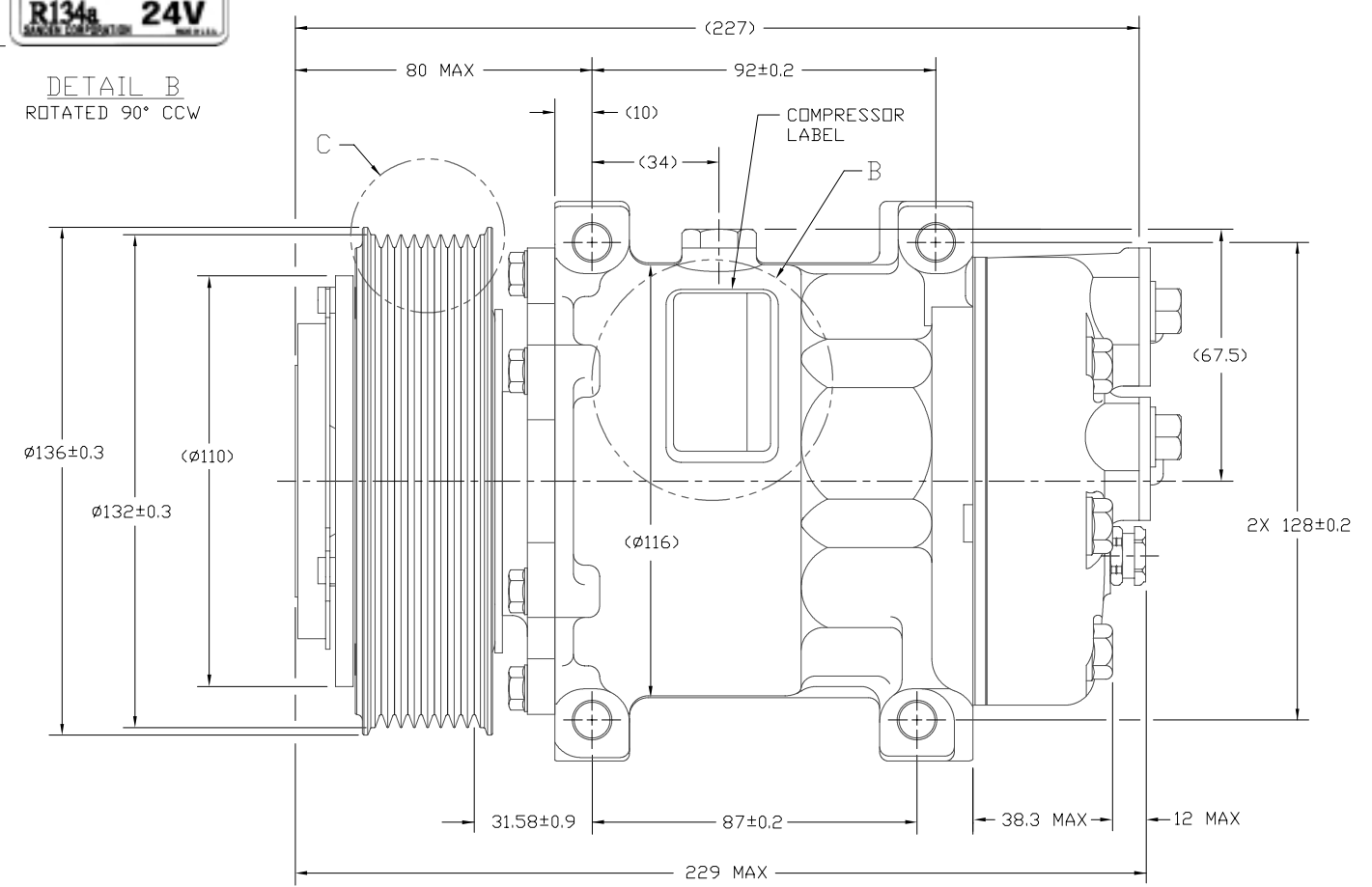
SECTION E-E
SECTION SHOWN WITHOUT SHIPPING PAD ASSEMBLY ROTATED 15°



SECTION F-F
SECTION SHOWN WITHOUT SHIPPING PAD ASSEMBLY ROTATED 5°



DETAIL B
ROTATED 90° CCW



COMPRESSOR SPECIFICATIONS, (REF)

DISPLACEMENT PER REVOLUTION	154.9 cc / rev. (9.5cu.in. / rev.)
MAXIMUM ALLOWABLE R.P.M.	8000 R.P.M.
MAXIMUM ALLOWABLE CONTINUOUS R.P.M.	6000 R.P.M.
REFRIGERANT	R134a
◇ OIL (SP-15)	175 cc (5.91 fl.oz.)
WEIGHT	8.1 kgf (17.9 lb.)
◇ PRV OPENING PRESSURE RANGE	508 - 595 PSIG

CLUTCH SPECIFICATIONS, (REF)

RATED VOLTAGE	DC 24V
BREAKAWAY TORQUE	3.5 kgf-m min. @ 24V
◇ MINIMUM ENGAGEMENT VOLTAGE	16V MAX @ AIR GAP 0.6mm
POWER CONSUMPTION	42 watts max.
BELT TYPE	PV8
MAXIMUM ALLOWABLE BELT TENSION	120 kgf
PULLEY DIAMETER	Ø132mm (5.19 in.)
CLUTCH TYPE	HEAVY DUTY

SPECIAL CHARACTERISTICS	
SANDEN	
■ OR <C>	NON-SAFETY/REGULATORY SPECIAL CHARACTERISTICS WHERE VERIFICATION IS REQUIRED, BUT ONGOING PROCESS CONTROL IS NOT REQUIRED
◇ OR <R>	NON-SAFETY/REGULATORY SPECIAL CHARACTERISTICS WHICH DEMAND MANDATORY PROCESS CONTROL FOR VERIFICATION
▼ OR <S>	SAFETY/EMISSIONS/NOISE/THEFT PROTECTION

DO NOT SCALE

REV. LEVEL	RELEASED FOR: ENG'G DEVELOPMENT	<p>SANDEN INTERNATIONAL (U.S.A.), INC.</p>	
DSGN	15-fe-07		
APPV.	A. Armendariz	<p>This drawing and the information contained hereon are CONFIDENTIAL and PROPRIETARY to Sanden International (U.S.A.), Inc., and received in CONFIDENCE and shall not be used, copied, or disclosed to others without the written permission of Sanden International (U.S.A.), Inc.</p>	
DWN	R. Rodriguez		
CHK	Dennis Lee	<p>INTERPRETATION OF THIS DRAWING PER ASME Y14.5M-1994</p>	
APPV. DATE	02/15/07	THIRD ANGLE PROJECTION	SIZE D
REV. LEVEL	RELEASED FOR: DESIGN VALIDATION	MATERIAL: -	
DSGN	A. Armendariz	NAME: COMPRESSOR	
APPV. DATE	03/02/07	DWG. NO. 4026-6000	
REV. LEVEL	RELEASED FOR: PRODUCTION	REV. A	
DSGN	A. Armendariz		
APPV. DATE	03/02/07		
APPV. DATE			