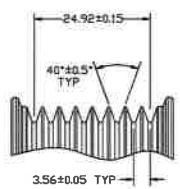
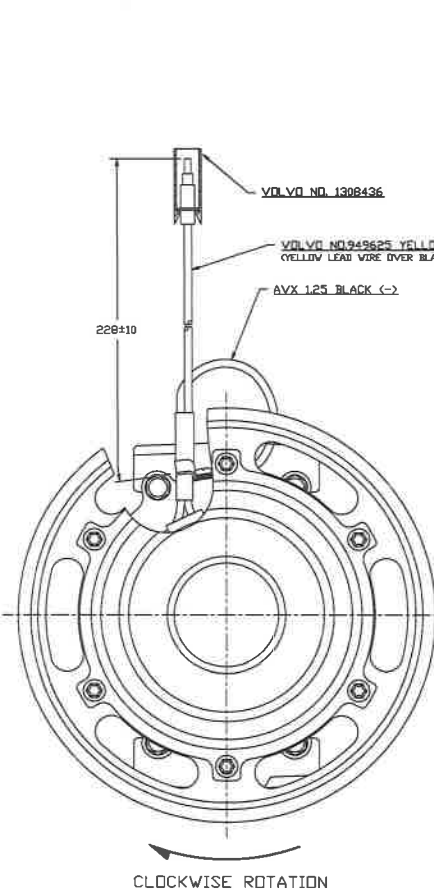
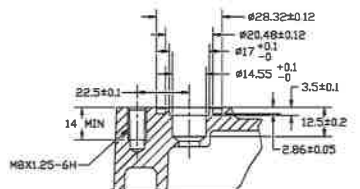


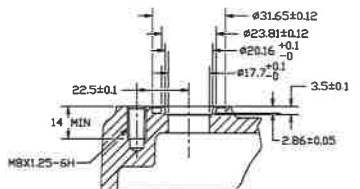
PKM	REV	APPV	REVISES	ENH	BSN	CHK	APPV



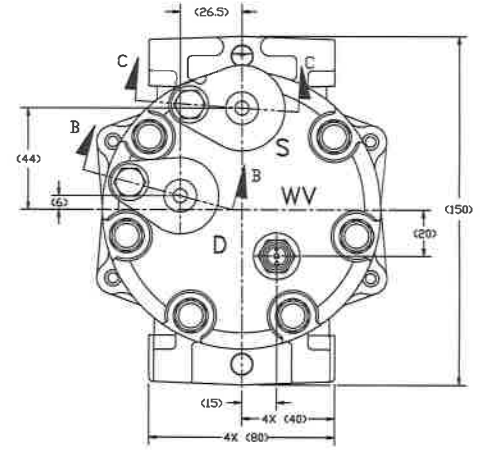
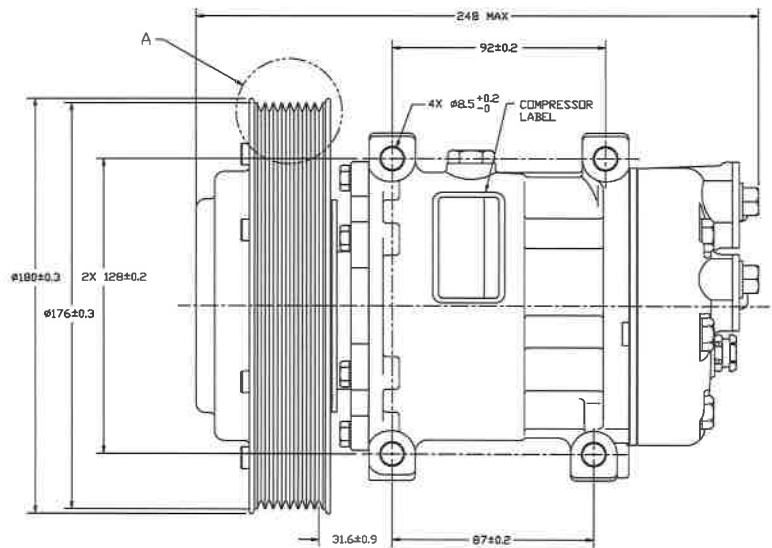
DETAIL A
SCALE 2:1



SECTION B-B



SECTION C-C



COMPRESSOR SPECIFICATIONS (REF)

DISPLACEMENT PER REVOLUTION	154.9 cc / rev. (9.5cu.in / rev.)
MAXIMUM ALLOWABLE R.P.M.	8000
MAXIMUM ALLOWABLE CONTINUOUS R.P.M.	6000
REFRIGERANT	R134a
DTL (SP-15)	280 ± 10 cc
PRV OPENING PRESSURE RANGE	508 - 595 PSIG
WEIGHT	0.134 kg (17.93 lb.)

CLUTCH SPECIFICATIONS (REF)

RATED VOLTAGE	DC 24V
BREAKAWAY TORQUE	3.5 kgf·m MIN @ 24 V
MINIMUM ENGAGEMENT VOLTAGE	16V MAX @ AIR GAP 0.6 mm
MAXIMUM POWER CONSUMPTION	42 W
BELT TYPE	PVS
MAXIMUM ALLOWABLE BELT TENSION	120 kgf
PULLEY DIAMETER	176 mm
CLUTCH TYPE	SUPER HEAVY DUTY

SANDEN

SANDEN INTERNATIONAL, S.S.A. S.p.A.

UNITED STATES OF AMERICA

ISO 1 METRIC

THIS DRAWING IS THE PROPERTY OF SANDEN INTERNATIONAL (U.S.A.) INC. AND IS LOANED TO YOU. IT IS TO BE USED ONLY FOR THE PURPOSES SPECIFIED IN THE ORDER AND IS NOT TO BE REPRODUCED OR TRANSMITTED IN ANY FORM OR BY ANY MEANS, ELECTRONIC OR MECHANICAL, INCLUDING PHOTOCOPYING, RECORDING, OR BY ANY INFORMATION STORAGE AND RETRIEVAL SYSTEM. SANDEN INTERNATIONAL (U.S.A.) INC. ACCEPTS NO LIABILITY FOR ANY DAMAGE OR LOSS OF PROFITS, BUSINESS, OR REPUTATION ARISING FROM THE USE OF THIS DRAWING.

DISPOSITION OF THIS DRAWING PER ASME Y14.5M-1994

THIS HOLE POSITION

◆ MFC3

COMPRESSOR

DWG NO. 4116-6000

DO NOT SCALE

4116